



RANGE ROVER

Electrical Circuit Diagrams



RANGE ROVER

Electrical Circuit Diagrams

Publication Part No. LRL 0499ENX

Published by Land Rover

© 2001 Land Rover

All rights reserved. No part of this publication may be reproduced, stored in a retrieval system or transmitted in any form, electronic, mechanical, recording or other means without prior written permission from Land Rover.

COLOUR CODES**DRAADKLEURCODES****CODICI COLORI DEI CAVI****CODES DES COULEURS DES FILS****CODIGOS DE COLORES DE LOS CABLES****KABELFARBCODES****CÓDIGOS DAS CORES DOS FIOS**

CODE	COLOUR	CODE	KLEUR	CODE	COULEUR	CODE	FARBE	CODICE	COLORE	CODIGO	COLOR	CÓDIGO	COR
B	BLACK	B	ZWART	B	NOIR	B	SCHWARZ	B	NERO	B	NEGRO	G	PRETO
G	GREEN	G	GROEN	G	VERT	G	GRÜN	G	VERDE	G	VERDE	K	VERDE
K	PINK	K	ROZE	K	ROSE	K	ROSA	K	ROSA	K	ROSA	LG	ROSA
LG	LIGHT GREEN	LG	LICHTGROEN	LG	VERT CLAIR	LG	HELLGRÜN	LG	VERDE CHIARO	LG	VERDE CLARO	N	VERDE CLARO
N	BROWN	N	BRUIN	N	BRUN	N	BRAUN	N	MARRONE	N	MARRON	O	CASTANHO
O	ORANGE	O	ORANJE	O	ORANGE	O	ORANGE	O	ARANCIONE	O	NARANJA	P	LARANJA
P	PURPLE	P	PAARS	P	VIOLET	P	LILA	P	PORPORA	P	PURPURA	R	ROXO
R	RED	R	ROOD	R	ROUGE	R	ROT	R	ROSSO	R	ROJO	S	VERMELHO
S	SLATE (grey)	S	LEIGRIJS	S	GRIS	S	GRAU	S	ARDESIA (grigio)	S	PIZARRO (gris)	U	CINZENTO
U	BLUE	U	BLAUW	U	BLEU	U	BLAU	U	BLU	U	AZUL	W	AZUL
W	WHITE	W	WIT	W	BLANC	W	WEISS	W	BIANCO	W	BLANCO	Y	BRANCO
Y	YELLOW	Y	GEEL	Y	JAUNE	Y	GELB	Y	GIALLO	Y	AMARILLO	Y	AMARELO

CONTENTS

<p>1 POWER DISTRIBUTION 8</p> <p>Engine Compartment Fuse Box 8</p> <p>Passenger Compartment Fuse Box 10</p> <p>Rear Fuse Box 16</p> <p>2 EARTH DISTRIBUTION 18</p> <p>3 ANTI-THEFT ALARM 26</p> <p>3 ENGINE IMMOBILISATION 28</p> <p>Td6 28</p> <p>V8 30</p> <p>4 CENTRAL DOOR LOCKING 32</p> <p>5 WINDOWS 34</p> <p>Front 34</p> <p>Rear 36</p> <p>6 SUNROOF 38</p> <p>7 DOOR MIRRORS 40</p> <p>Memory 42</p> <p>Folding 44</p> <p>7 INTERIOR MIRROR 46</p> <p>8 SEATS 48</p> <p>Front 48</p> <p>Memory 50</p> <p>Memory - Comfort 52</p> <p>Lumbar Support 54</p> <p>Heated - Front 56</p> <p>Heated - Rear 58</p>	<p>9 STEERING WHEEL 60</p> <p>Adjustable 60</p> <p>Adjustable - Memory 62</p> <p>Heated 64</p> <p>9 STEERING 66</p> <p>10 DIAGNOSTIC SOCKET 68</p> <p>11 BODY CONTROL UNIT 70</p> <p>15 CHARGING AND STARTING 74</p> <p>Td6 74</p> <p>V8 76</p> <p>20 ENGINE MANAGEMENT SYSTEM 78</p> <p>Td6 78</p> <p>V8 82</p> <p>20 FUEL PUMP 88</p> <p>20 SECONDARY AIR INJECTION 90</p> <p>22 COOLING FANS 92</p> <p>Fuel System 94</p> <p>31 CRUISE CONTROL 96</p> <p>32 ELECTRONIC AUTOMATIC TRANSMISSION 98</p> <p>GM5 98</p> <p>ZF 100</p> <p>34 AIR SUSPENSION 102</p>	<p>35 ANTI-LOCK BRAKING SYSTEM (ABS) 104</p> <p>36 SUPPLEMENTARY RESTRAINT SYSTEM (SRS) 106</p> <p>38 AIR CONDITIONING 108</p> <p>Low-Line 108</p> <p>High Line 110</p> <p>Rear 112</p> <p>39 FUEL BURNING HEATER 114</p> <p>Td6 114</p> <p>V8 116</p> <p>40 HEATED FRONT SCREEN 118</p> <p>40 HEATED REAR SCREEN 120</p> <p>42 WIPERS AND WASHERS 122</p> <p>Front 122</p> <p>Rear 124</p> <p>Heated 126</p> <p>Headlamps 128</p> <p>43 EXTERIOR LAMPS 130</p> <p>Head, side and tail lamps 130</p> <p>Head, side and tail lamps - Xenon 132</p> <p>Headlamp levelling - Automatic 134</p> <p>Direction indicator lamps\hazard warning 136</p> <p>Brake and reverse lamps 138</p> <p>Fog lamps - Front 140</p> <p>Fog lamps - Rear 142</p>
--	--	---

CONTENTS

44 INTERIOR LAMPS	144	50 AUDIO SYSTEMS	168	70 COMMUNICATION DATA BUSES	210
46 INTERIOR ILLUMINATION	148	Amplifier	170	CAN Bus	210
47 INSTRUMENTS	154	Digital Signal Processor	172	K Bus, I Bus	212
47 ROTARY COUPLER	158	CD Player	174	73 TYRE PRESSURE MONITORING	214
48 CLOCK	160	55 NAVIGATION SYSTEMS	176	75 PARK DISTANCE CONTROL (PDC)	216
48 HORN (S)	162	Europe	176	76 TELECOMMUNICATION SYSTEMS	218
49 ACCESSORY SOCKET	164	NAS	178	Europe	218
49 CIGAR LIGHTER	166	57 TELEVISION	180	Voice Recognition - Europe	220
		Amplifier	182	80 TRAILER SOCKET	222
		Digital Signal Processor - Europe	186	Europe	222
		Digital Signal Processor - NAS	188		
		65 SPLICES AND CENTRE TAPS	190		

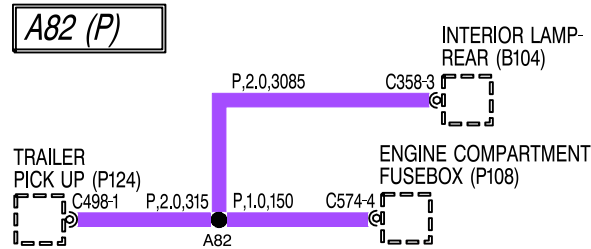
HOW TO USE THE CIRCUIT DIAGRAMS

All of the information in this folder is intended for use with the **Electrical Reference Library** booklet.

The circuit diagrams are presented with Power and Earth distribution first, followed by individual circuits for each electrical system on the car.

Power Distribution

The Power Distribution diagram shows the connections from the battery to the engine and passenger compartment fuseboxes. It also shows the internal circuitry of the fuseboxes.



86M4227A

The fuse box details are followed by independent functionally specific circuits and then a Splices and centre taps section outlining the way in which internal harness splices and centre taps distribute power in the harnesses. This information should be used during diagnosis of electrical faults to check for symptoms in associated circuits and narrow down the search area.

Earth Distribution

The ground distribution section comprises a number of Headers and Splices tables. These are used in a similar manner to those in Power Distribution; to narrow the search area by checking for fault symptoms in associated circuits.

Splices and centre taps

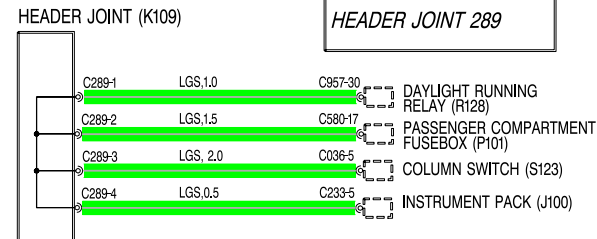
Header and splice tables present the joint(s) and wiring up to the first component. Splices are identified by a number with an alphabetical prefix and the wire colour.

The splice information shown on individual system circuits is not complete. Always refer to the splices circuit for complete information on each splice.

Wire length (Power & Earth Distribution only)

The length of the wire in millimetres. This can be used to locate internal harness splices; look for the shortest wire between the joint and connector. For example, it can be seen that C574-4 is 150mm from joint A82.

Connectors



86M4228A

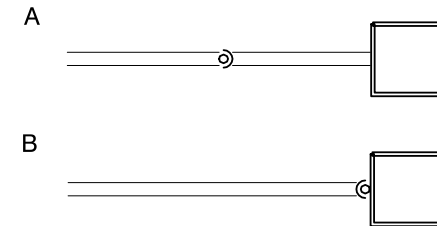
Header joints are identified by their corresponding connector number with a numbered suffix to indicate the pin-out detail of the wire, i.e. C289-1 identifies connector 289, pin number 1. Wire insulation colour is identified in the normal way. Where wires have a predominant colour with a secondary colour stripe, the main colour is identified first, i.e. LGS - Light Green with a Slate stripe.

Line Types



86M4229A

This means the wire connects to another circuit.



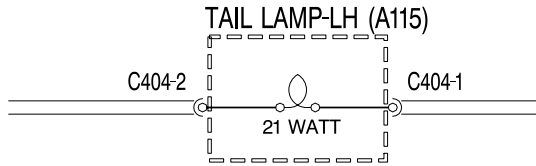
86M4230A

The cup and ball symbol indicates the male and female halves of connector.

- A. Plug on lead (Flylead) wired directly to the component.
- B. Connector plugs directly into component.

HOW TO USE THE CIRCUIT DIAGRAMS

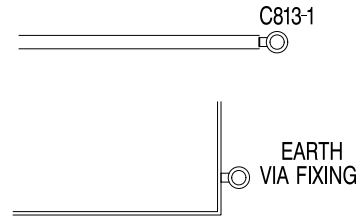
Components



86M4231A

The name or description of the component is shown. A dotted outline indicates that the component is not shown in its entirety.

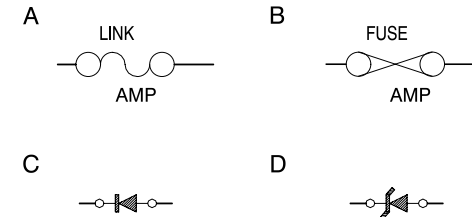
Earth points



86M4232A

Earth points are identified with an eyelet symbol and a connector number, except where components are grounded through their fixings, when only the eyelet is shown.

Fuses and Diodes



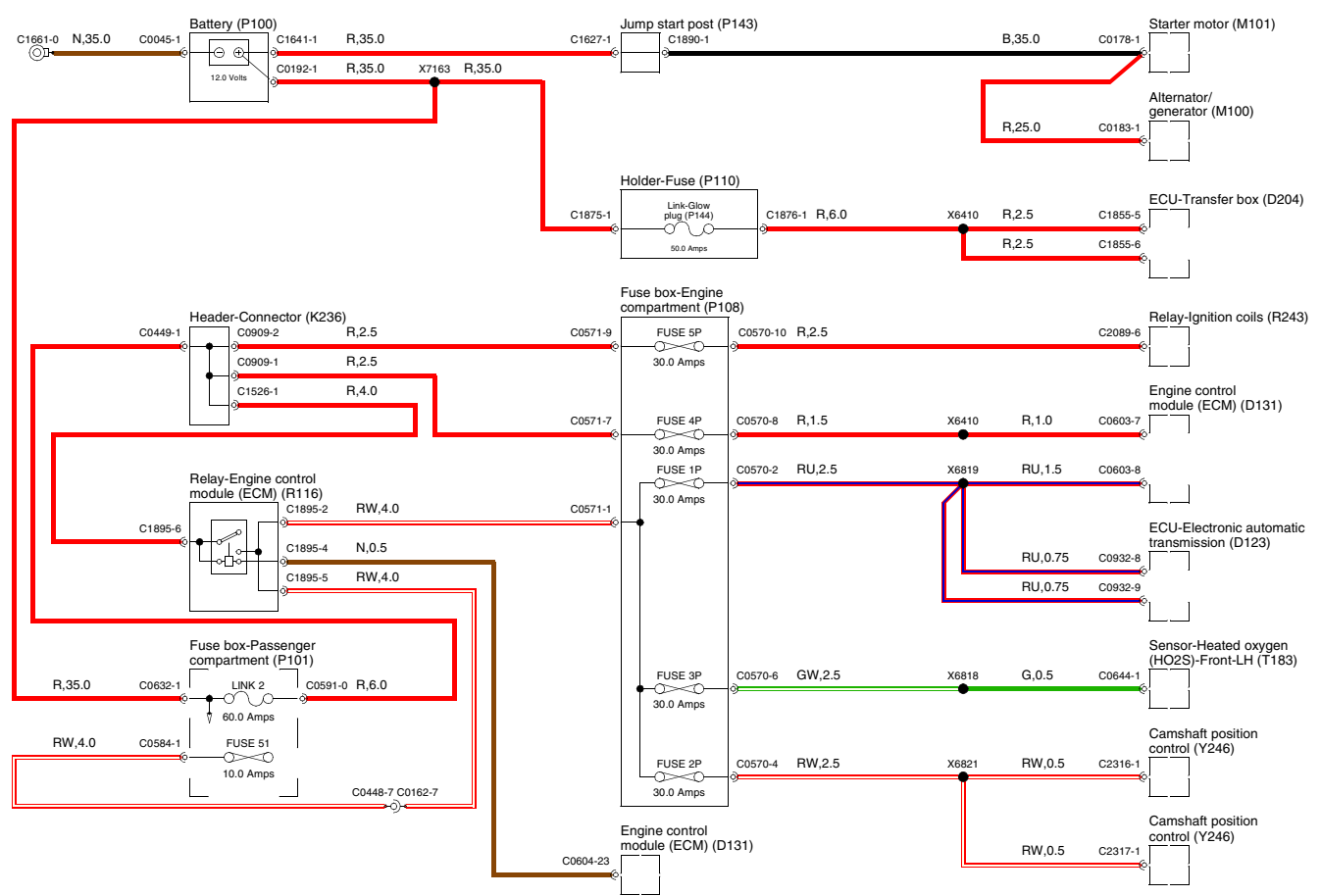
86M4234A

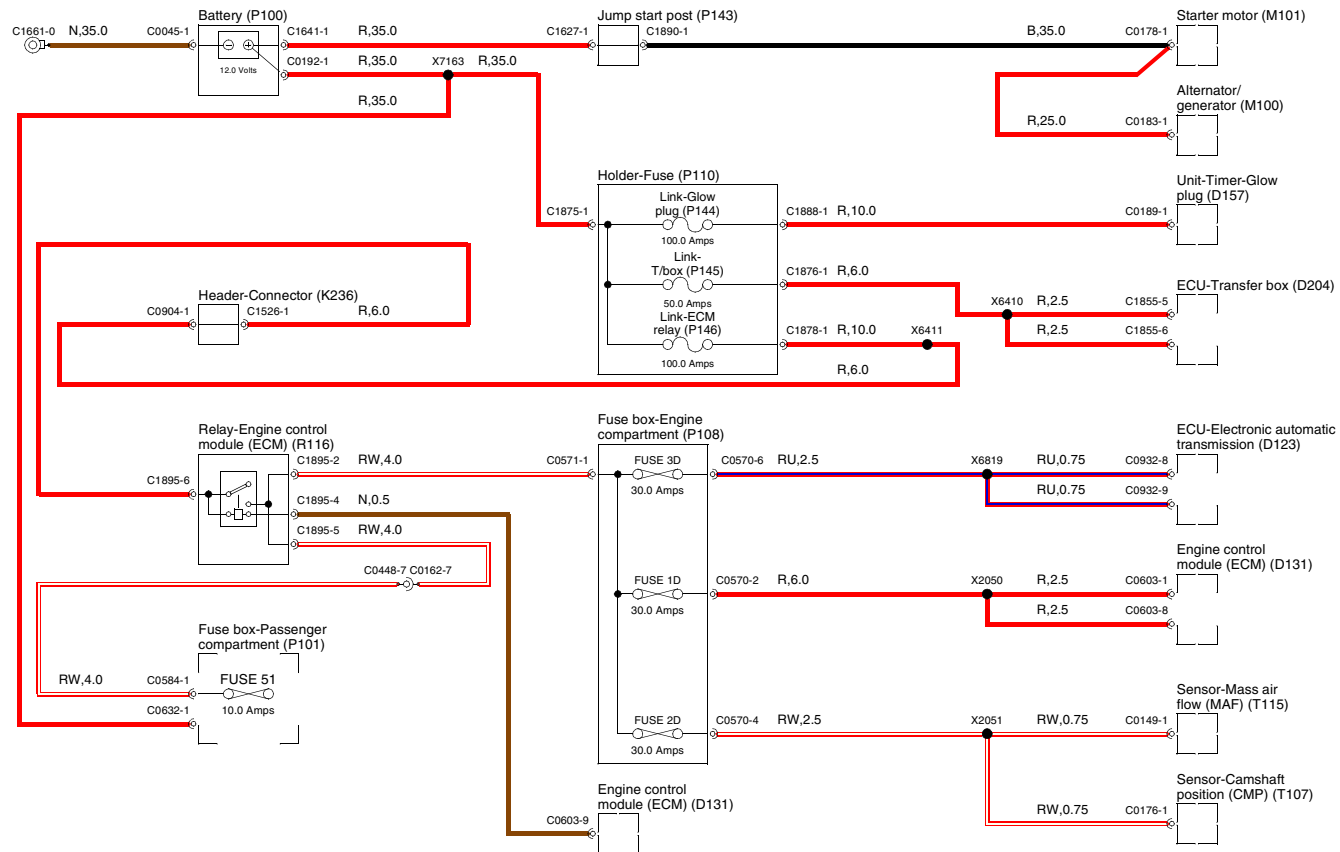
Fusible links (A) and current rated fuses (B) are identified as shown. The direction of the arrow in a Diode symbol (C) indicates the direction of current flow. The Zener diode (D) - prevents current flow until a precise voltage is reached.

HOW TO USE THE CIRCUIT DIAGRAMS

1 POWER DISTRIBUTION

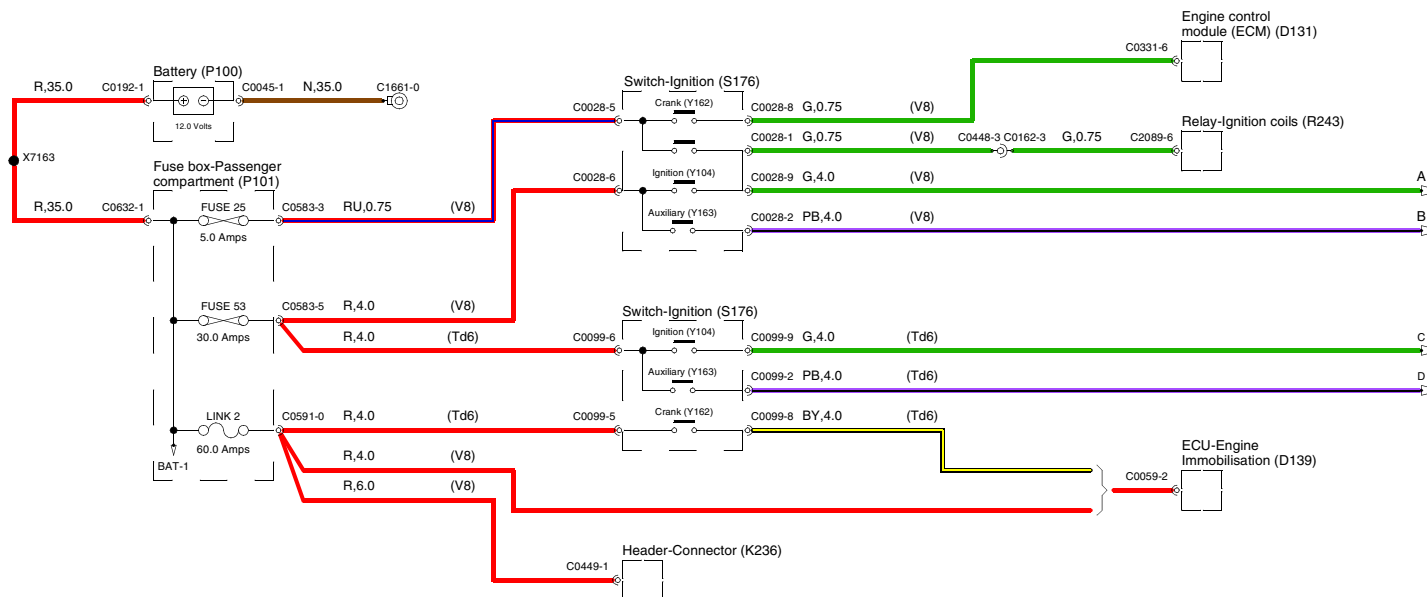
Engine Compartment Fuse Box

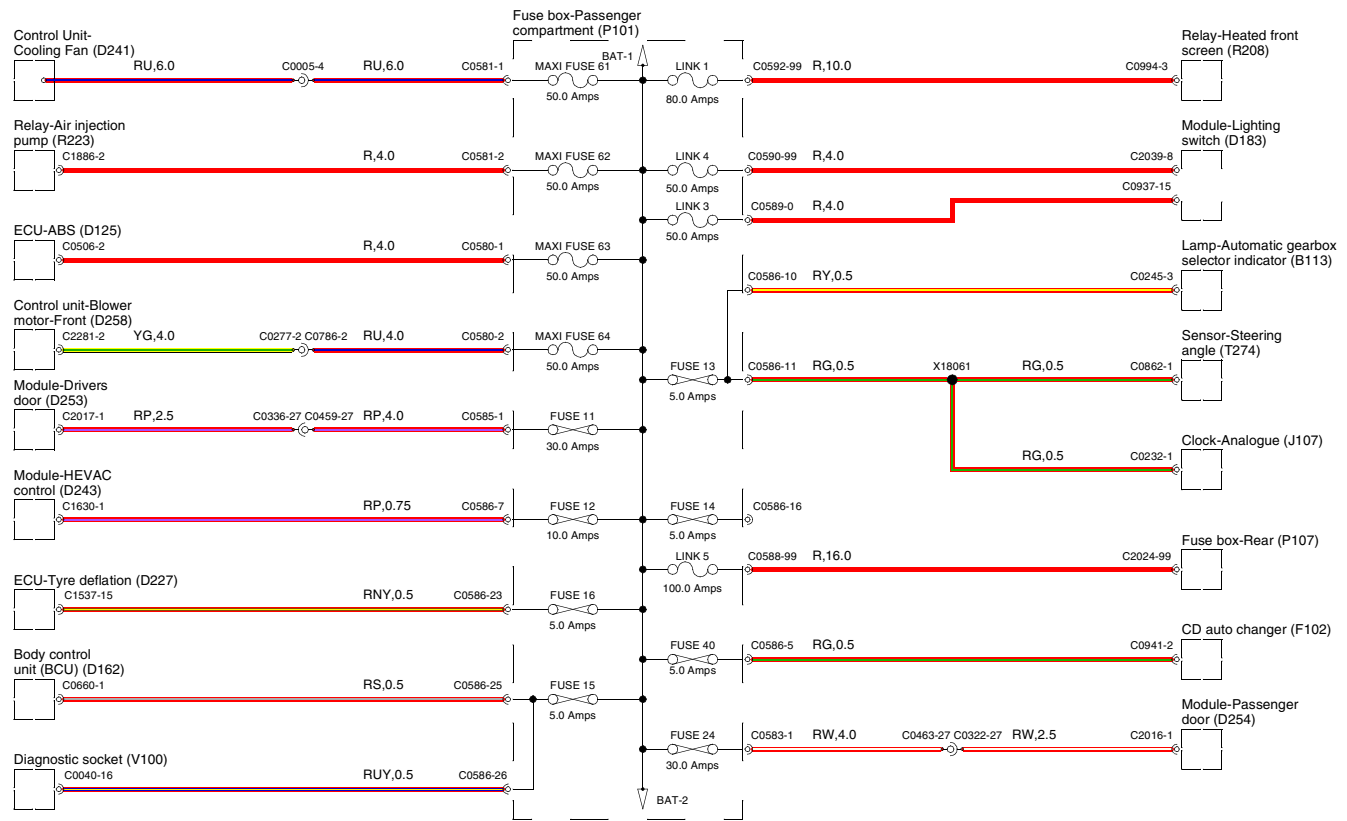




1 POWER DISTRIBUTION

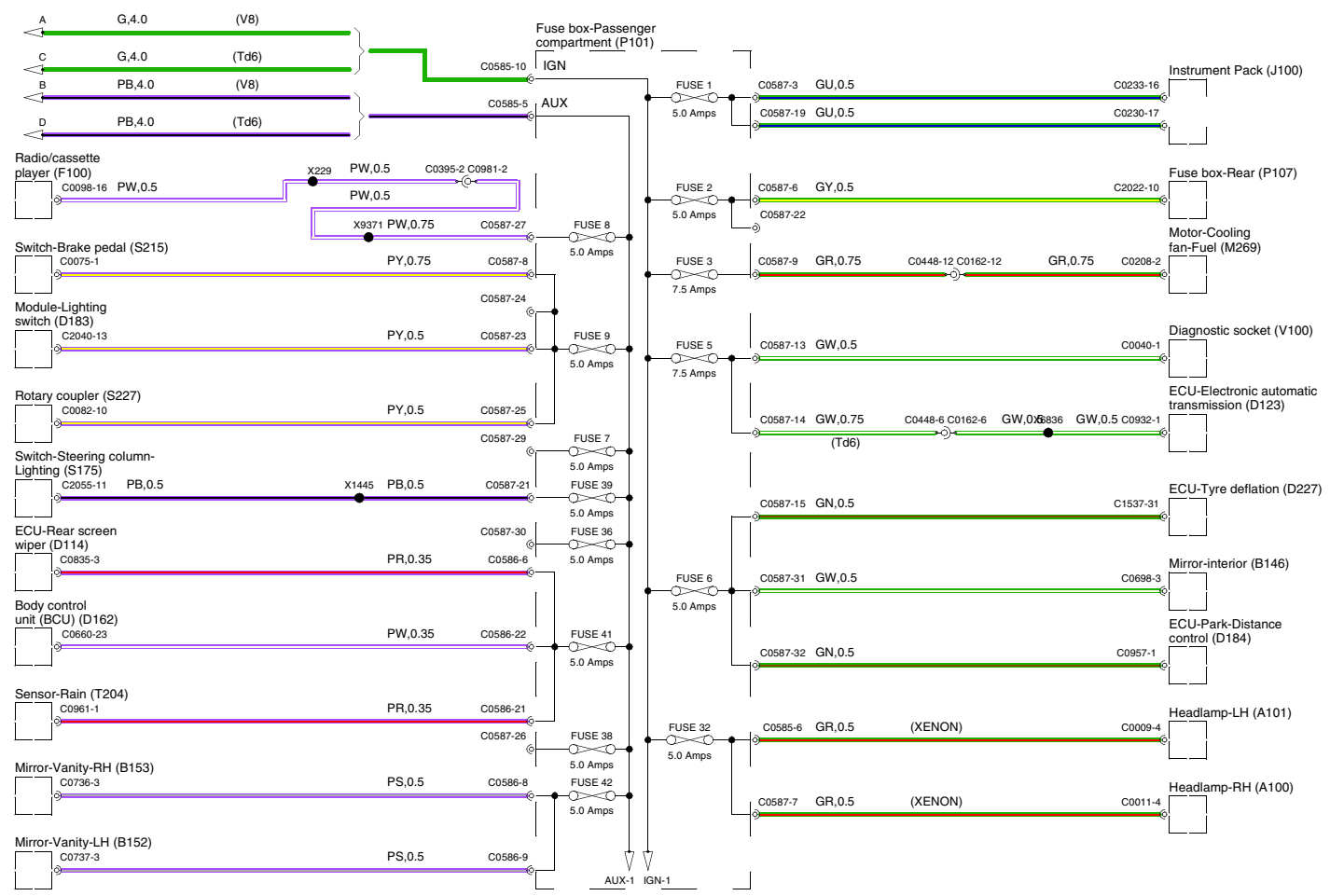
Passenger Compartment Fuse Box

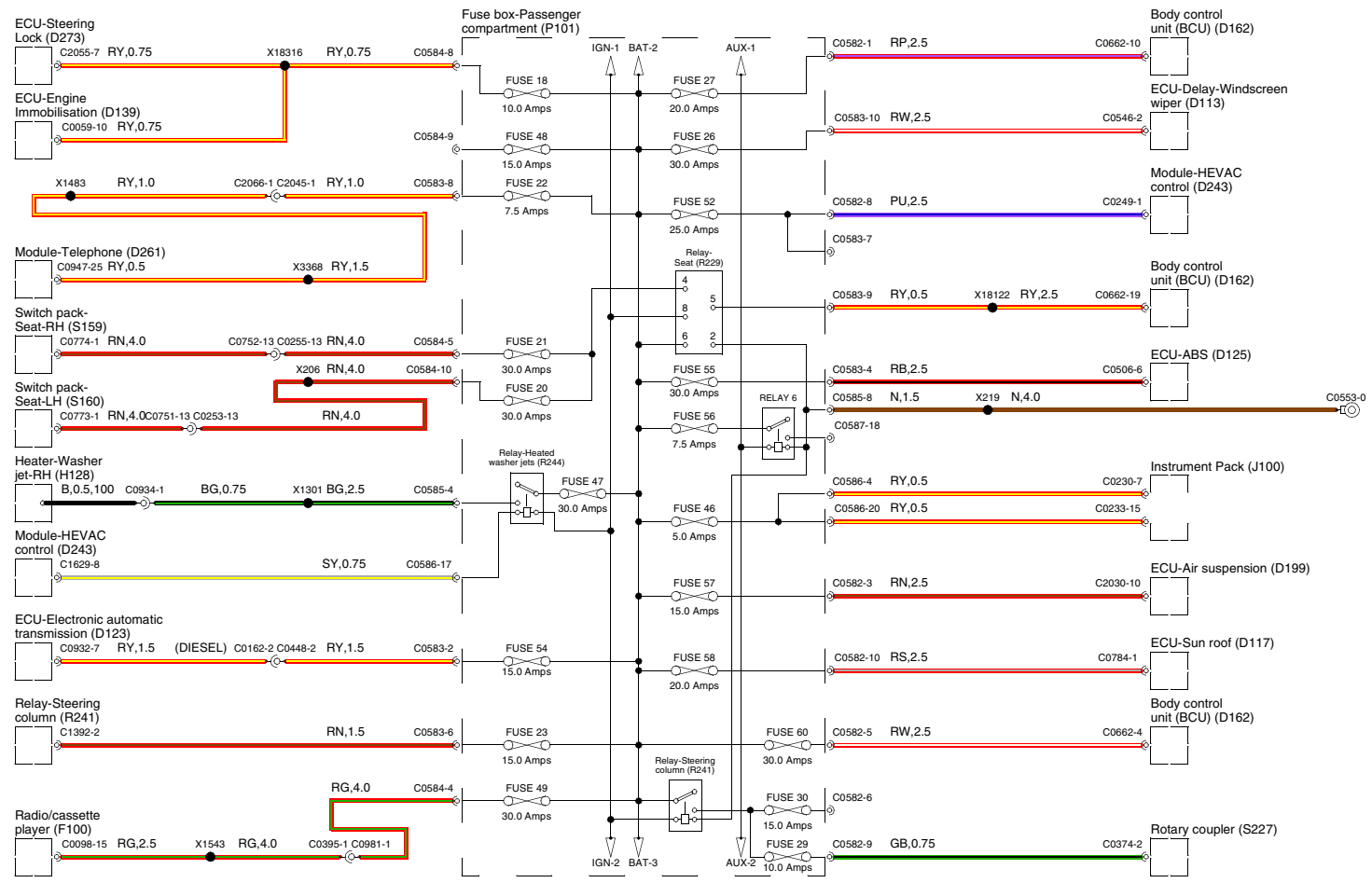


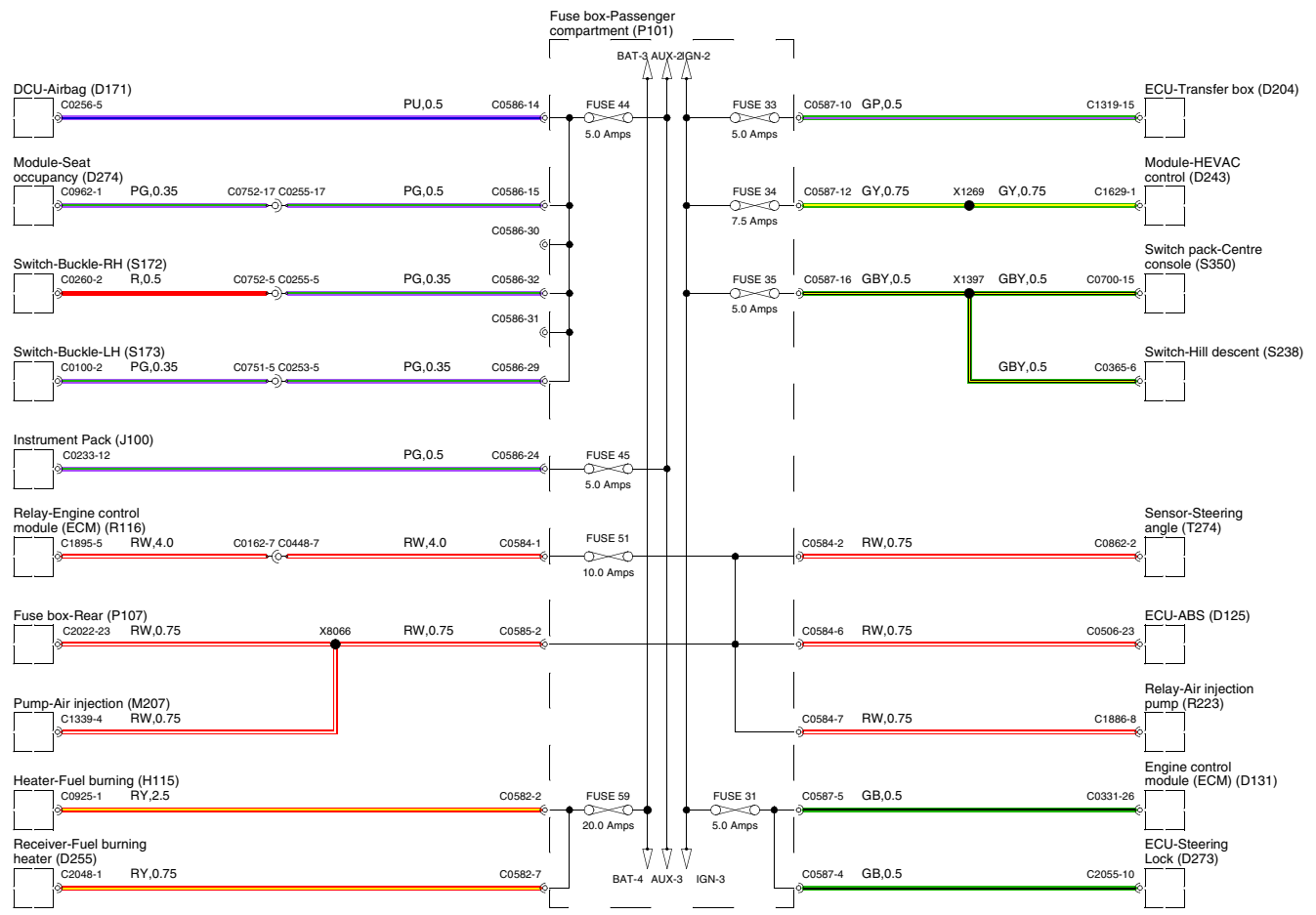


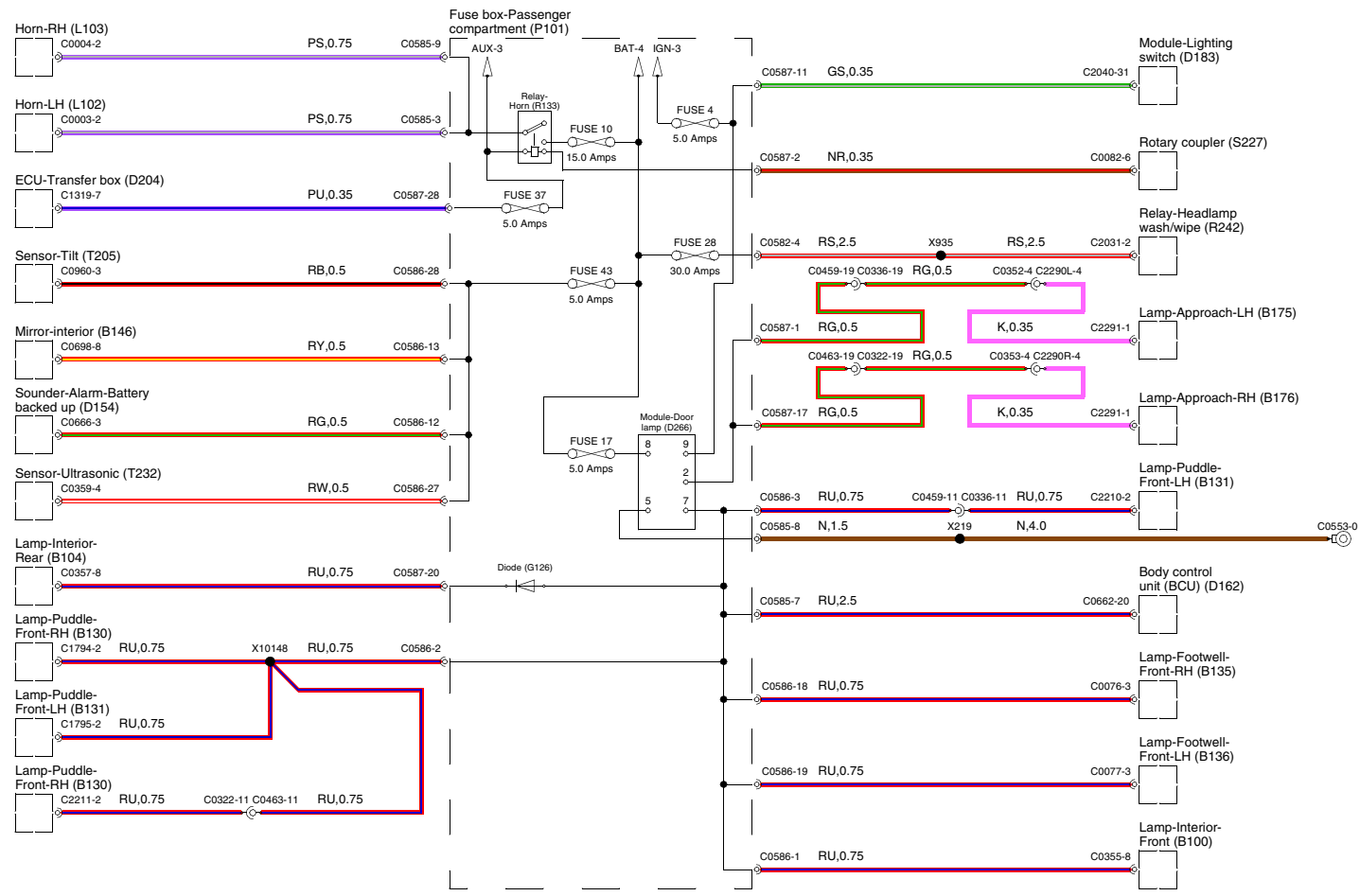
1 POWER DISTRIBUTION

Passenger Compartment Fuse Box

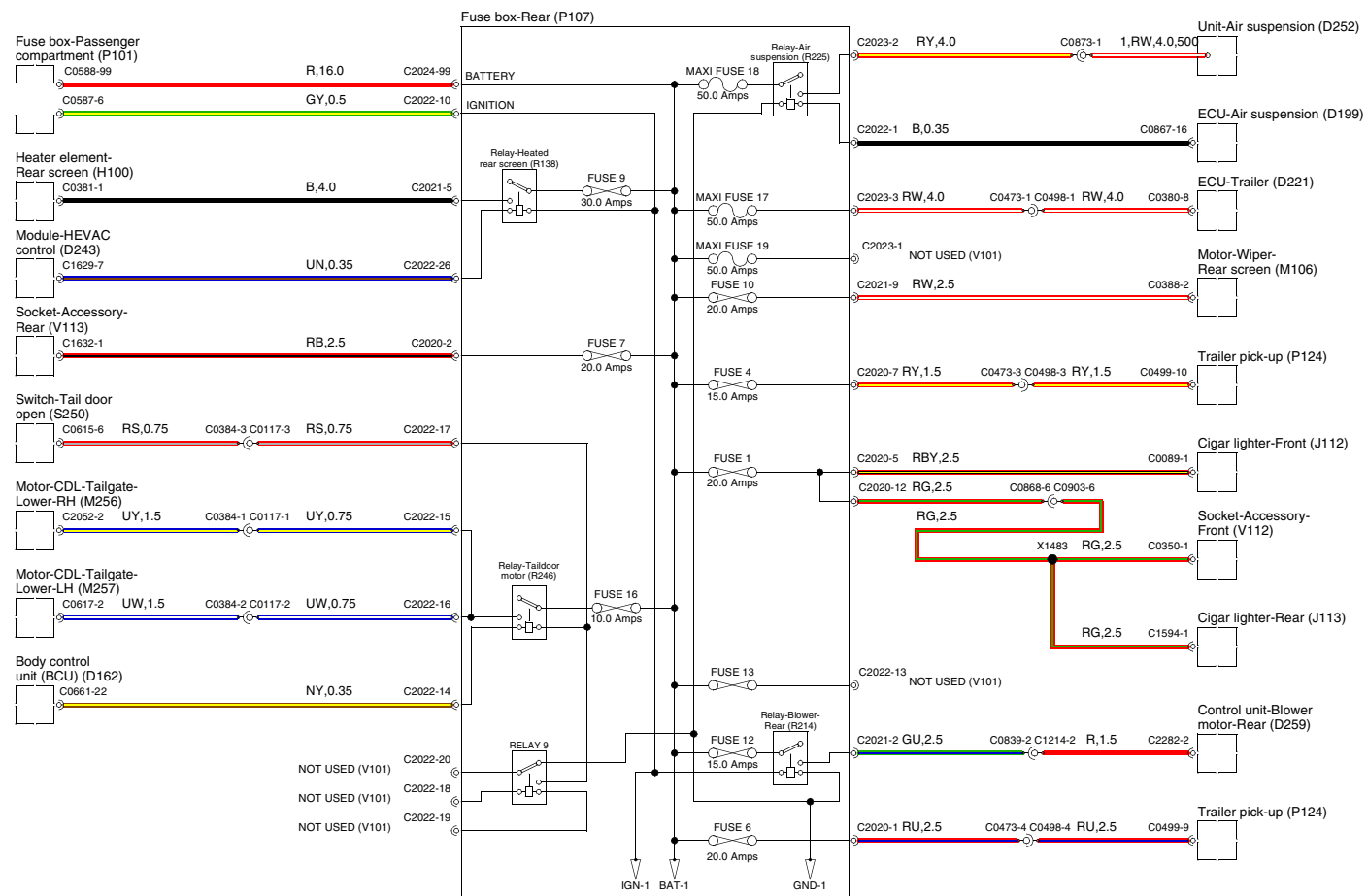


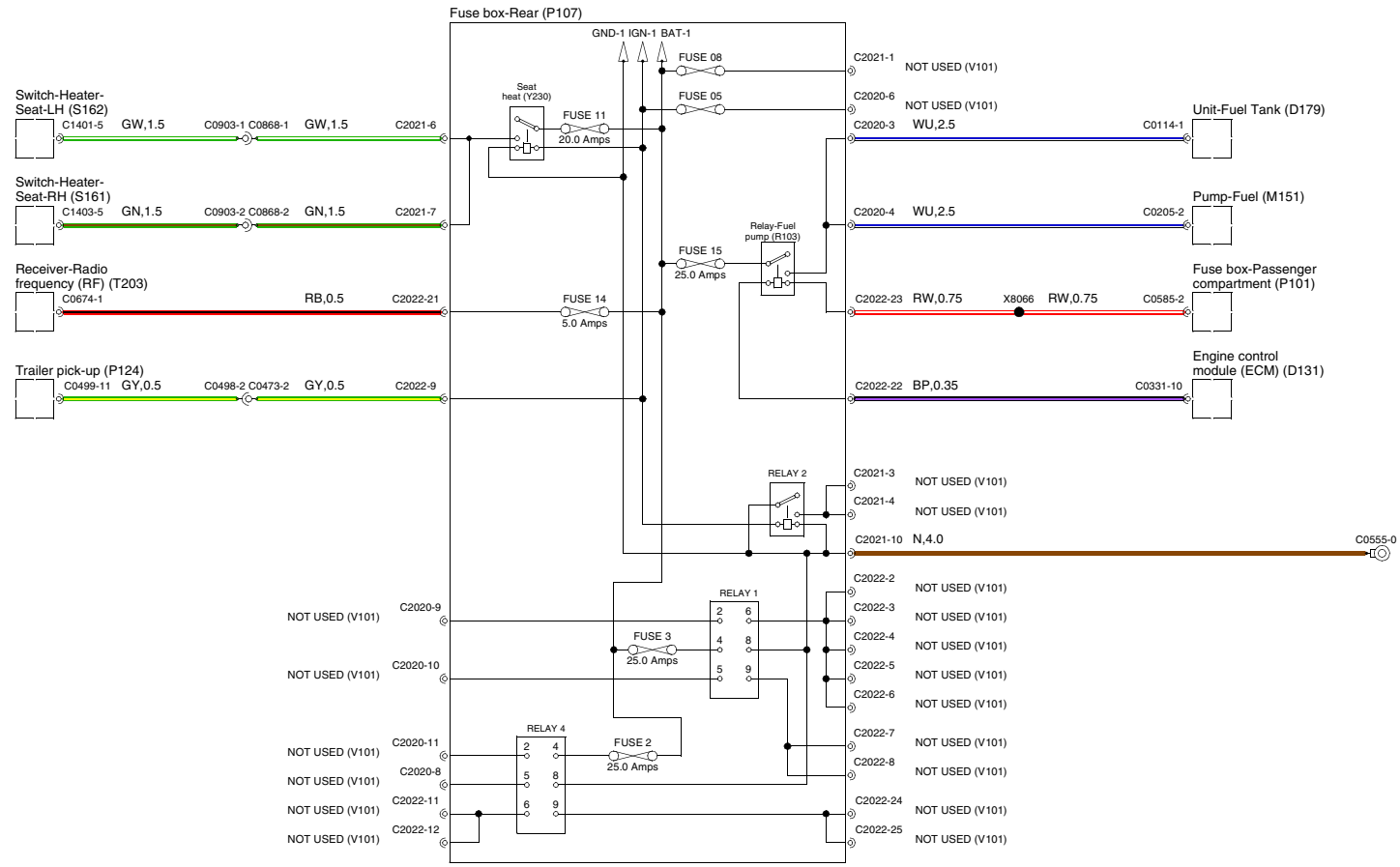




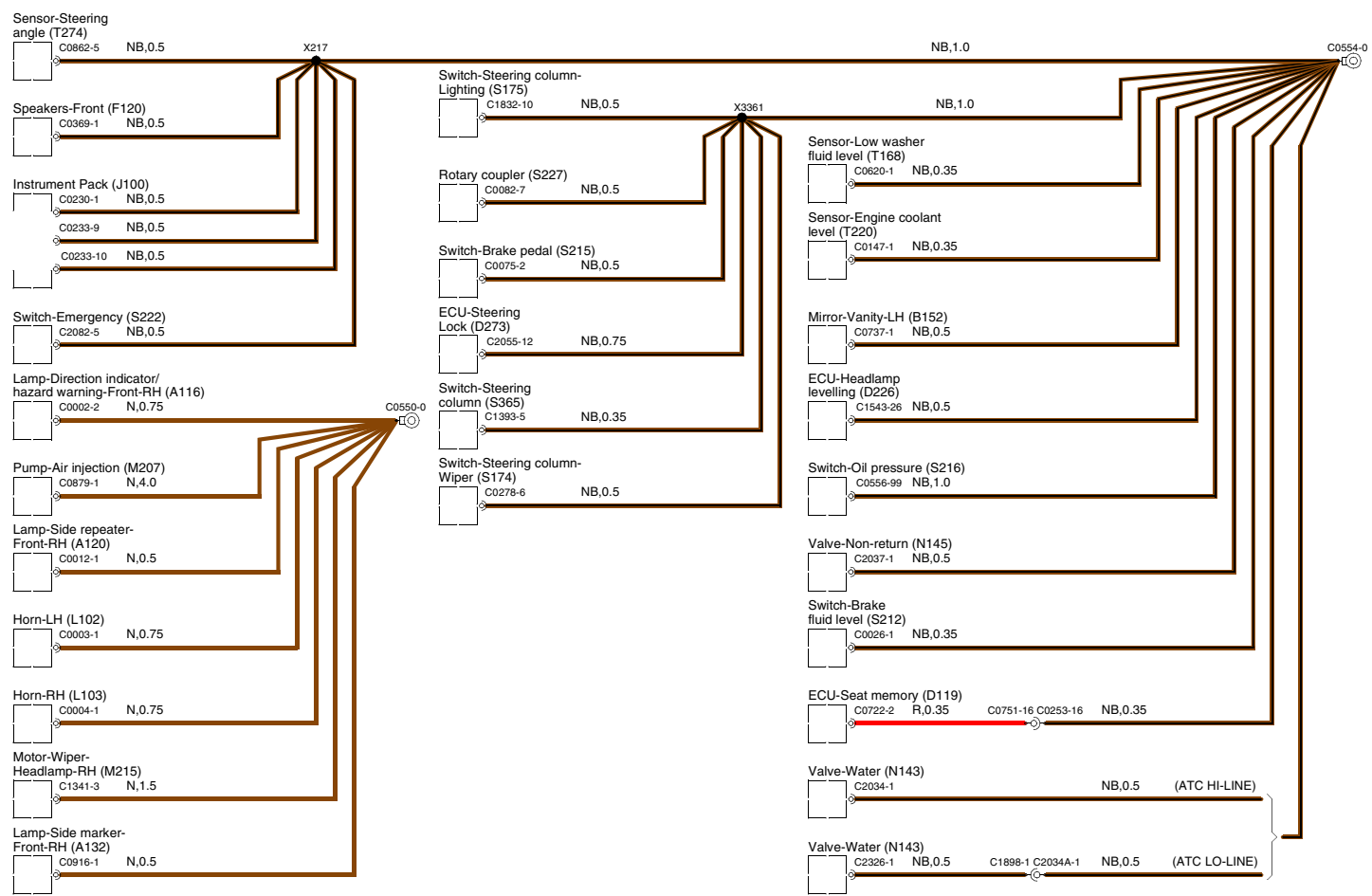


1 POWER DISTRIBUTION

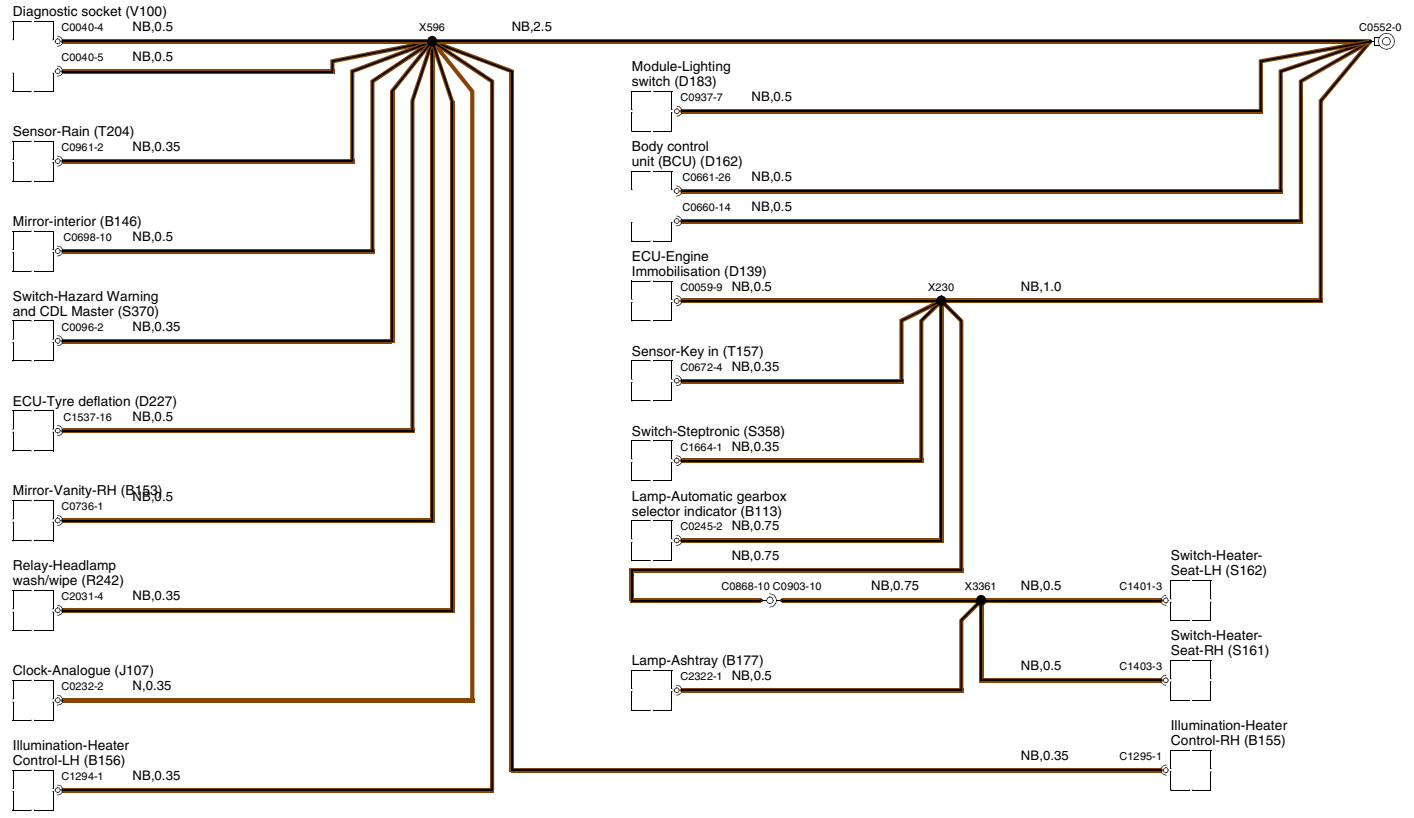




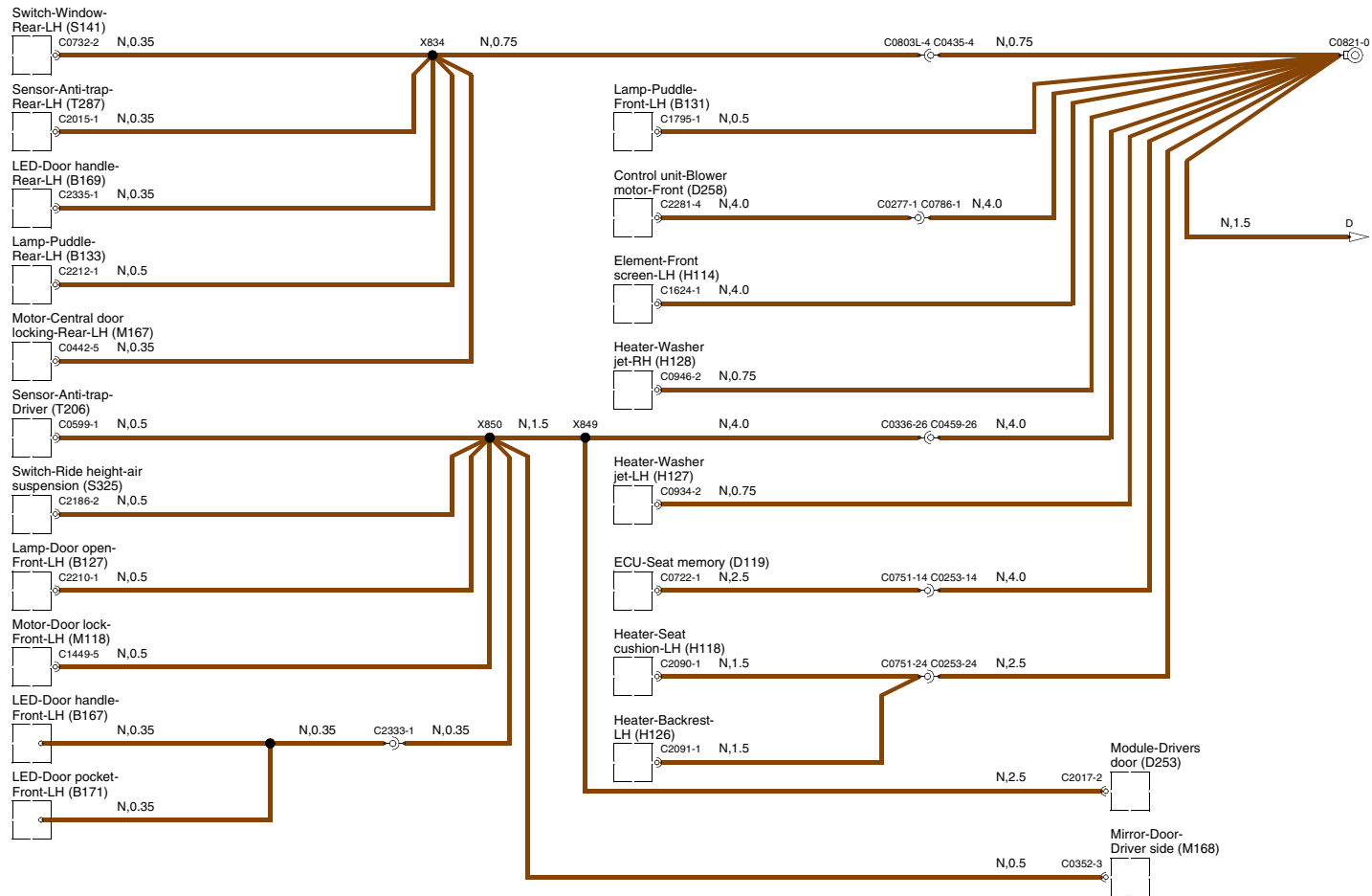
2 EARTH DISTRIBUTION



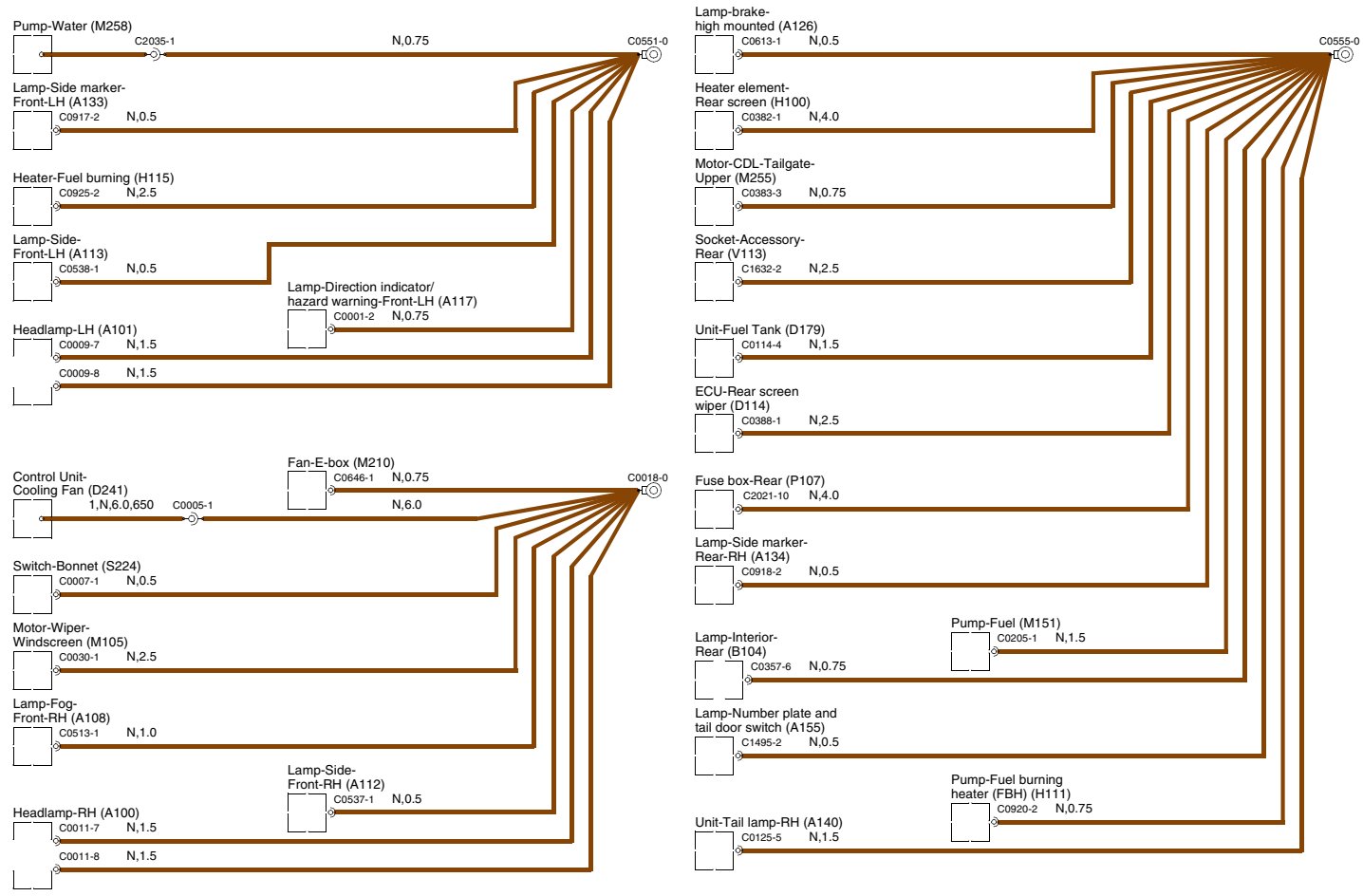
2 EARTH DISTRIBUTION



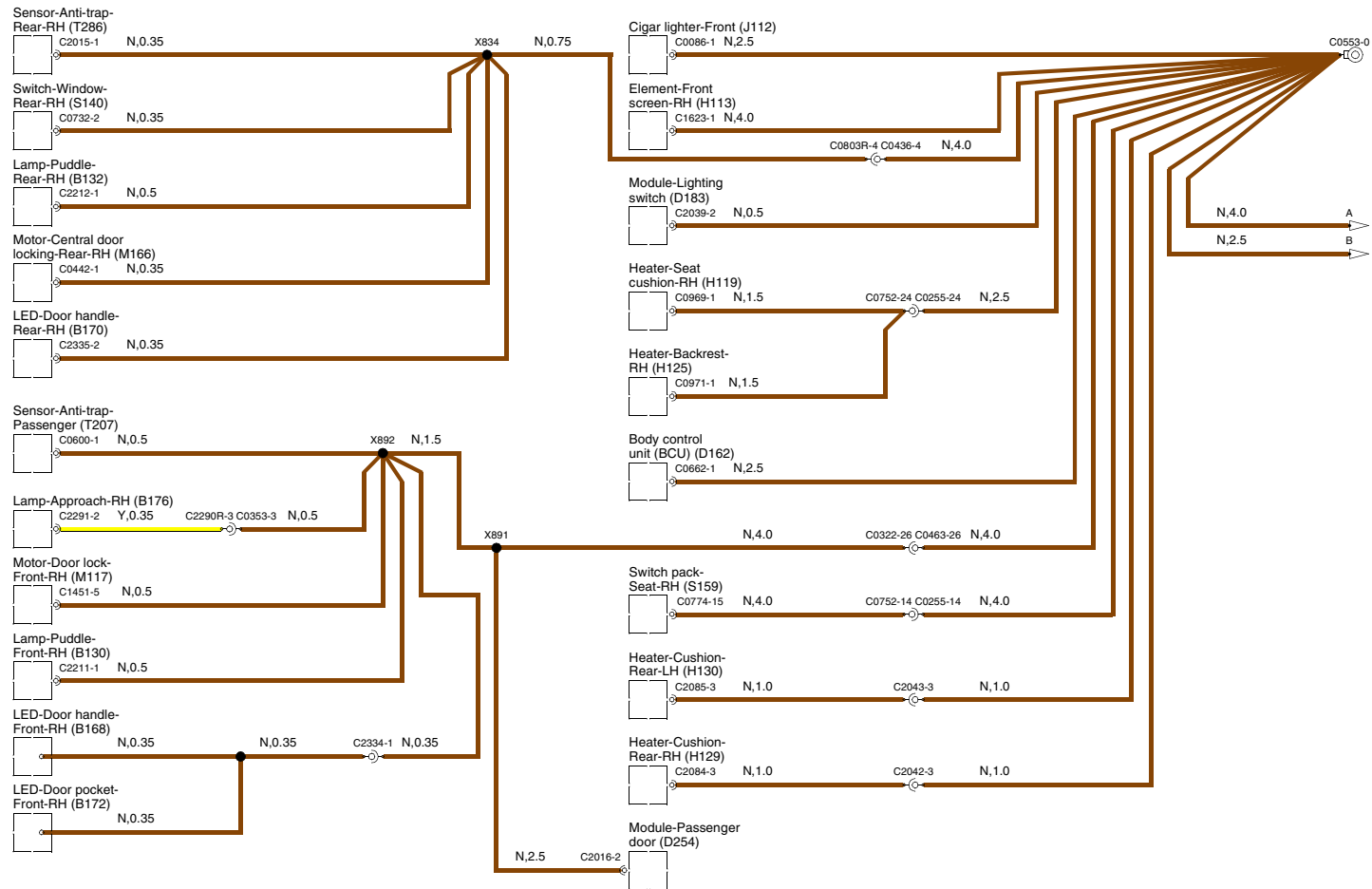
2 EARTH DISTRIBUTION



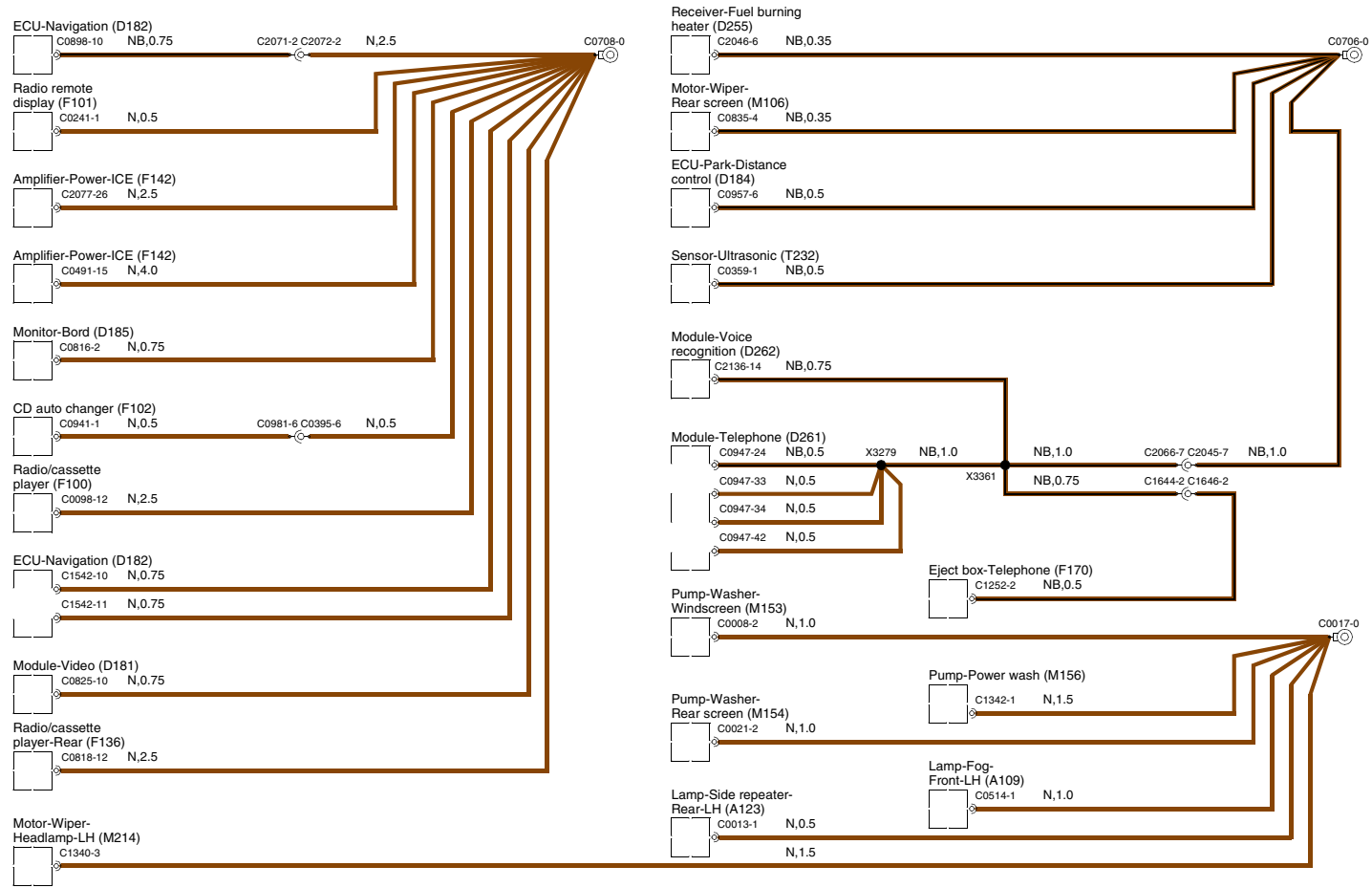
2 EARTH DISTRIBUTION



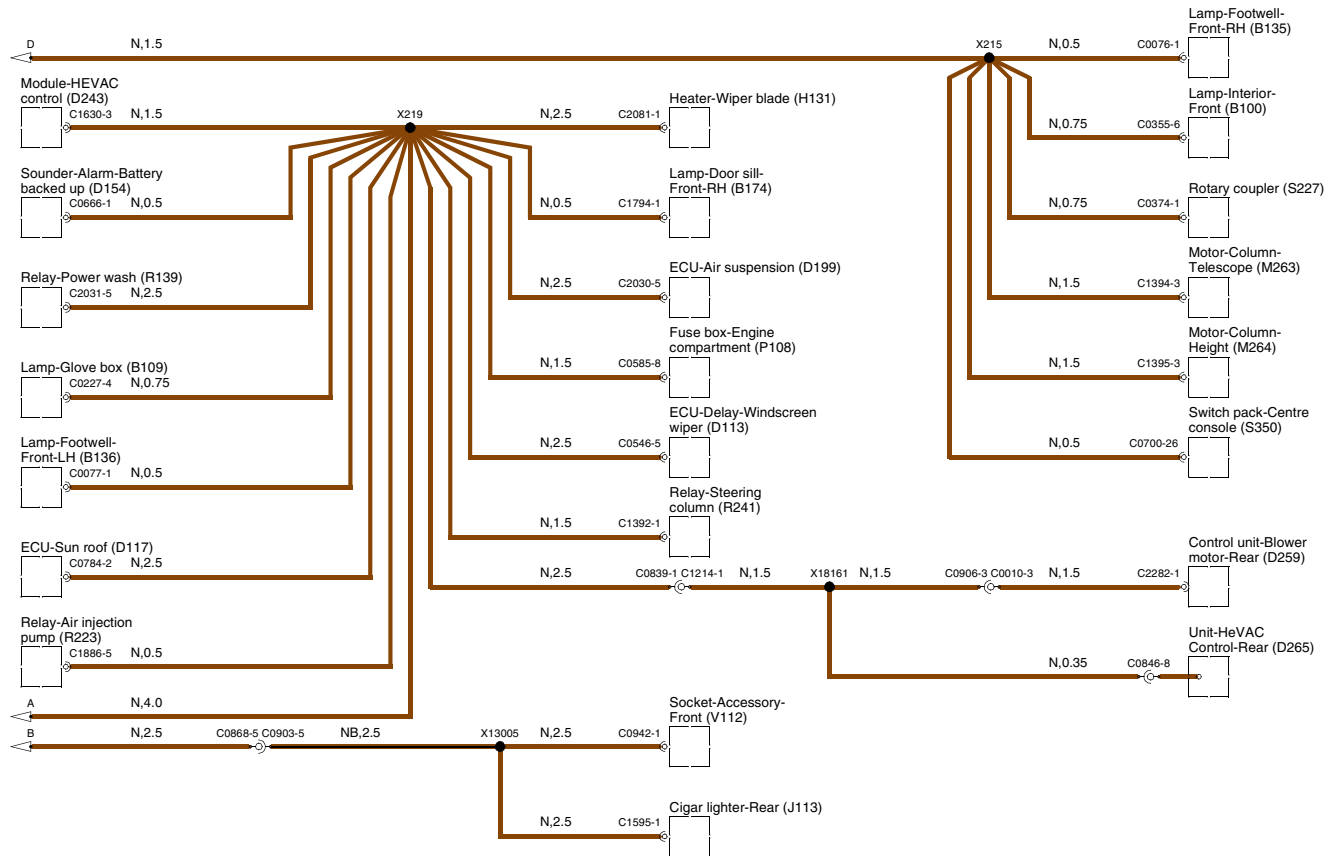
2 EARTH DISTRIBUTION



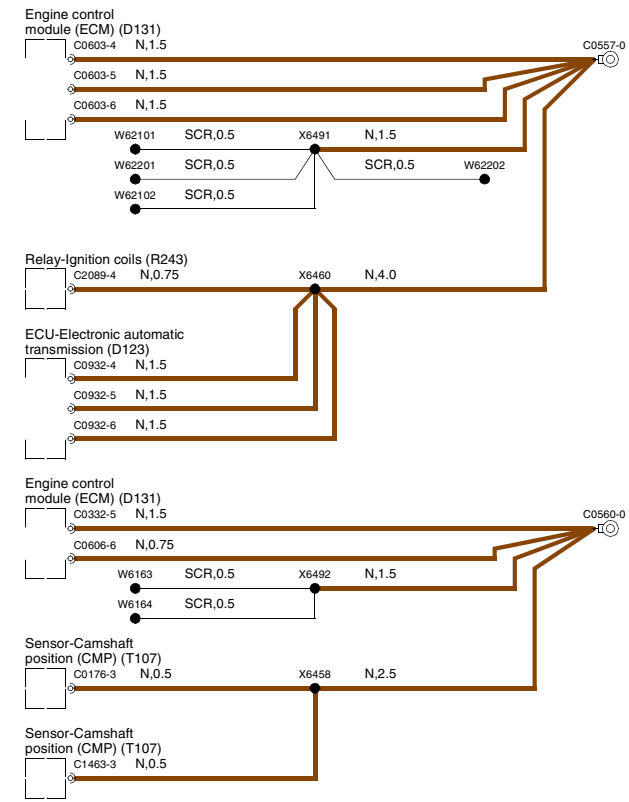
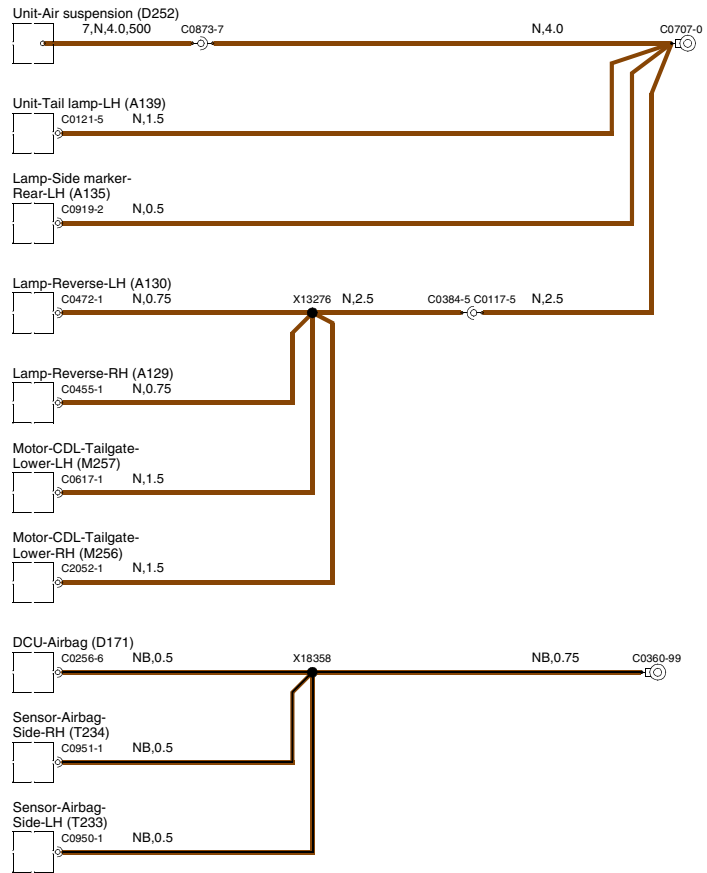
2 EARTH DISTRIBUTION



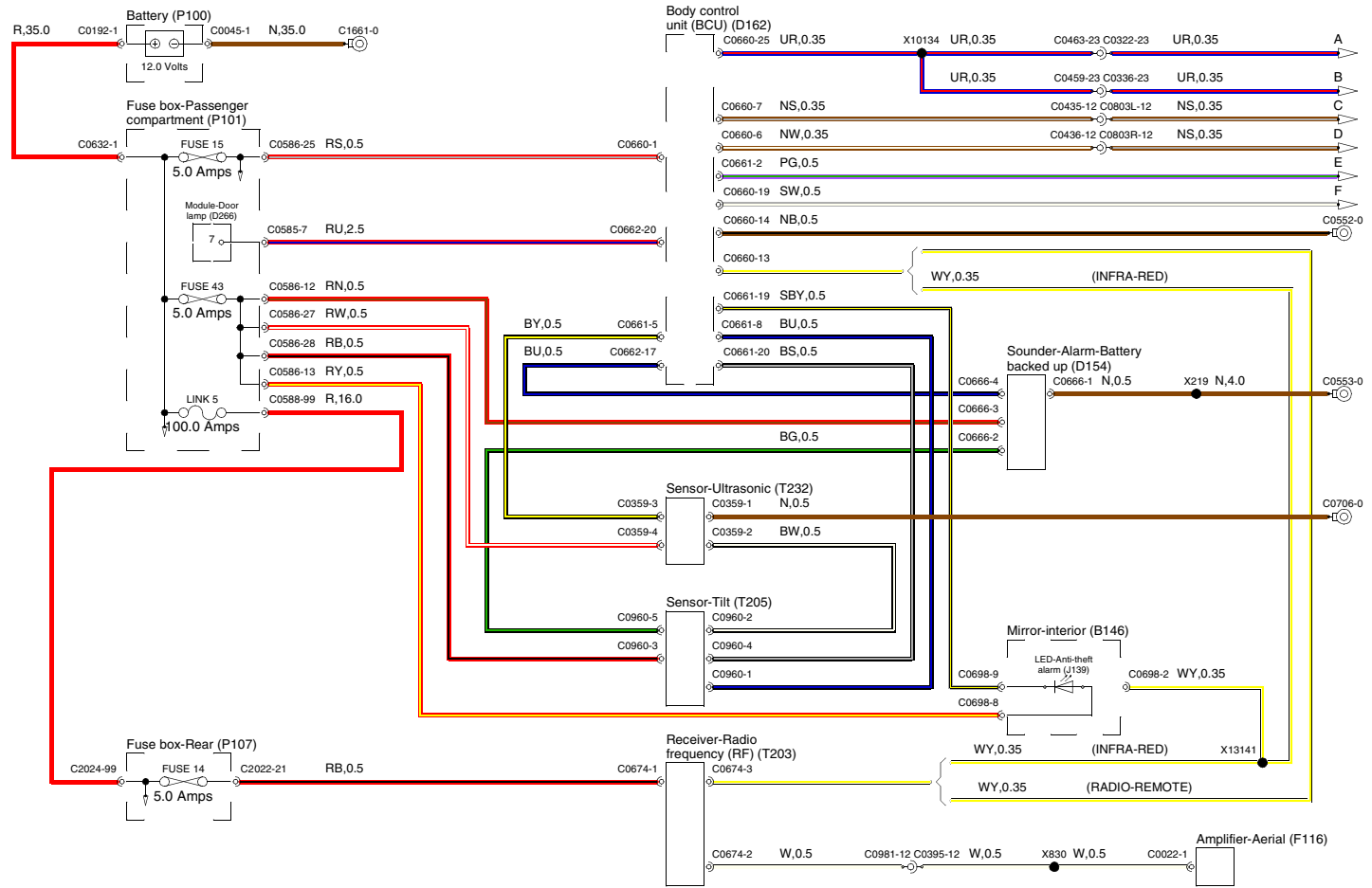
2 EARTH DISTRIBUTION



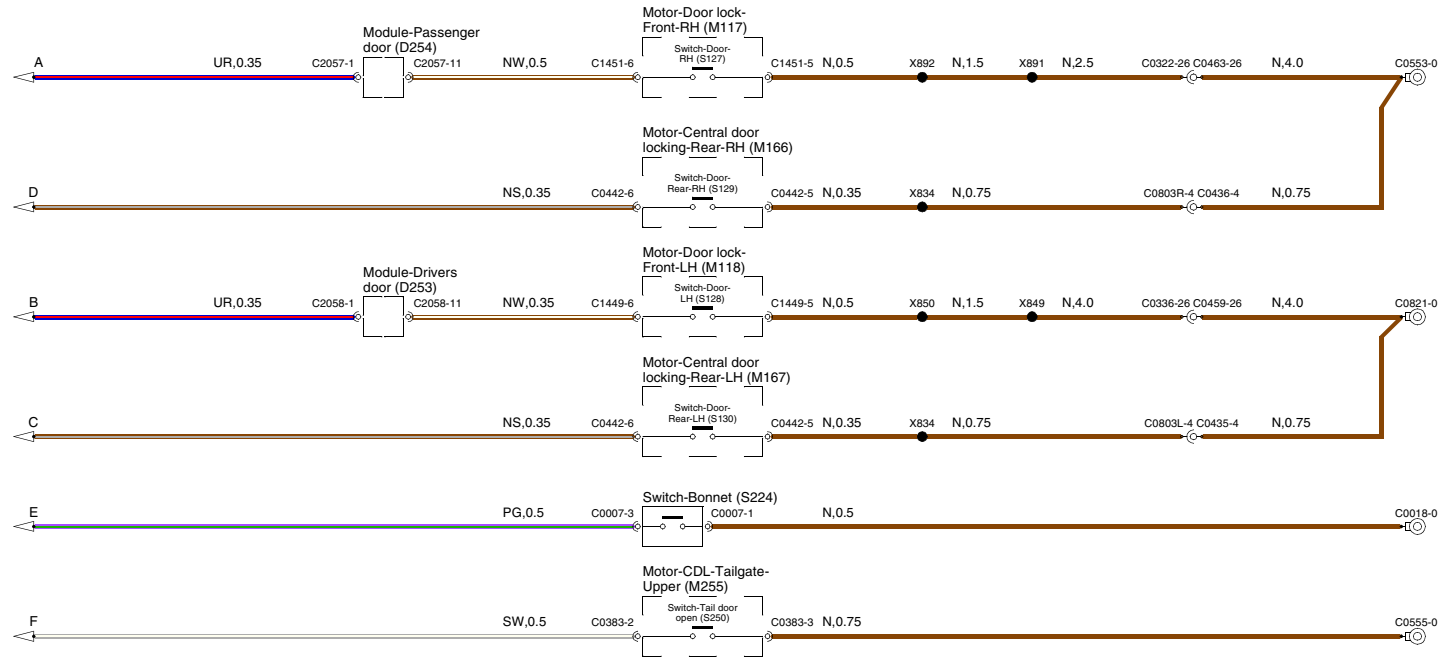
2 EARTH DISTRIBUTION



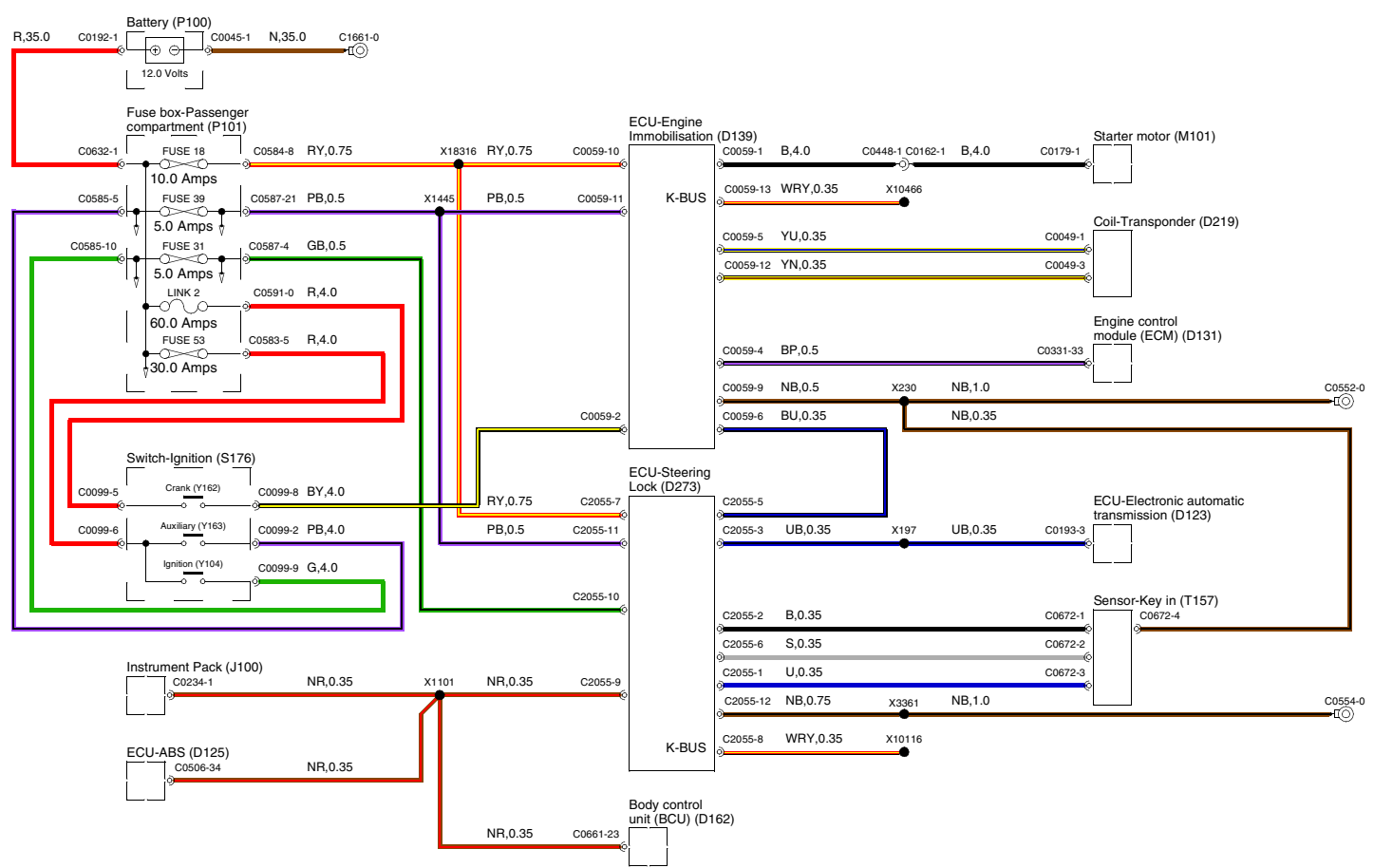
3 ANTI-THEFT ALARM



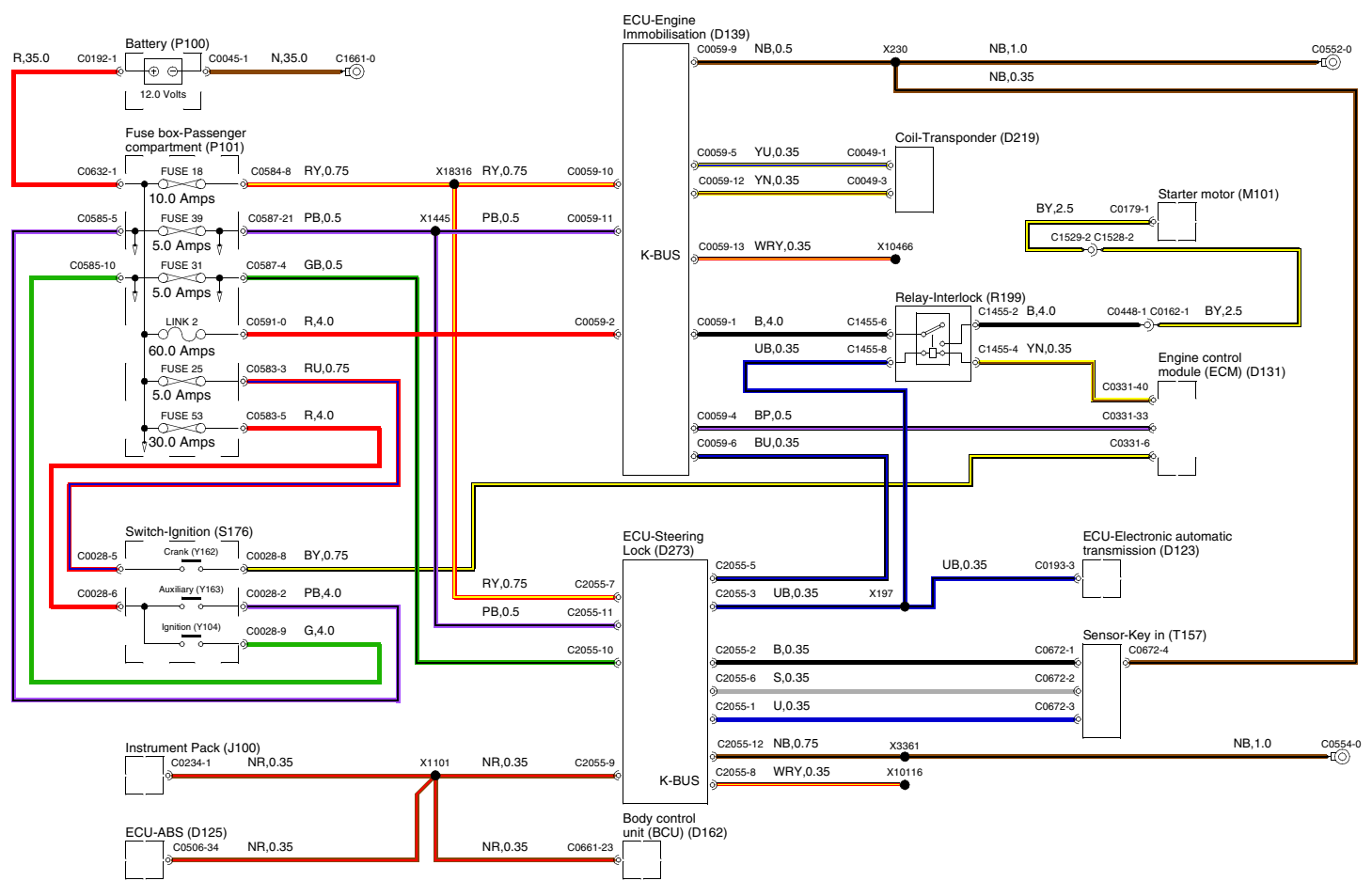
3 ANTI-THEFT ALARM



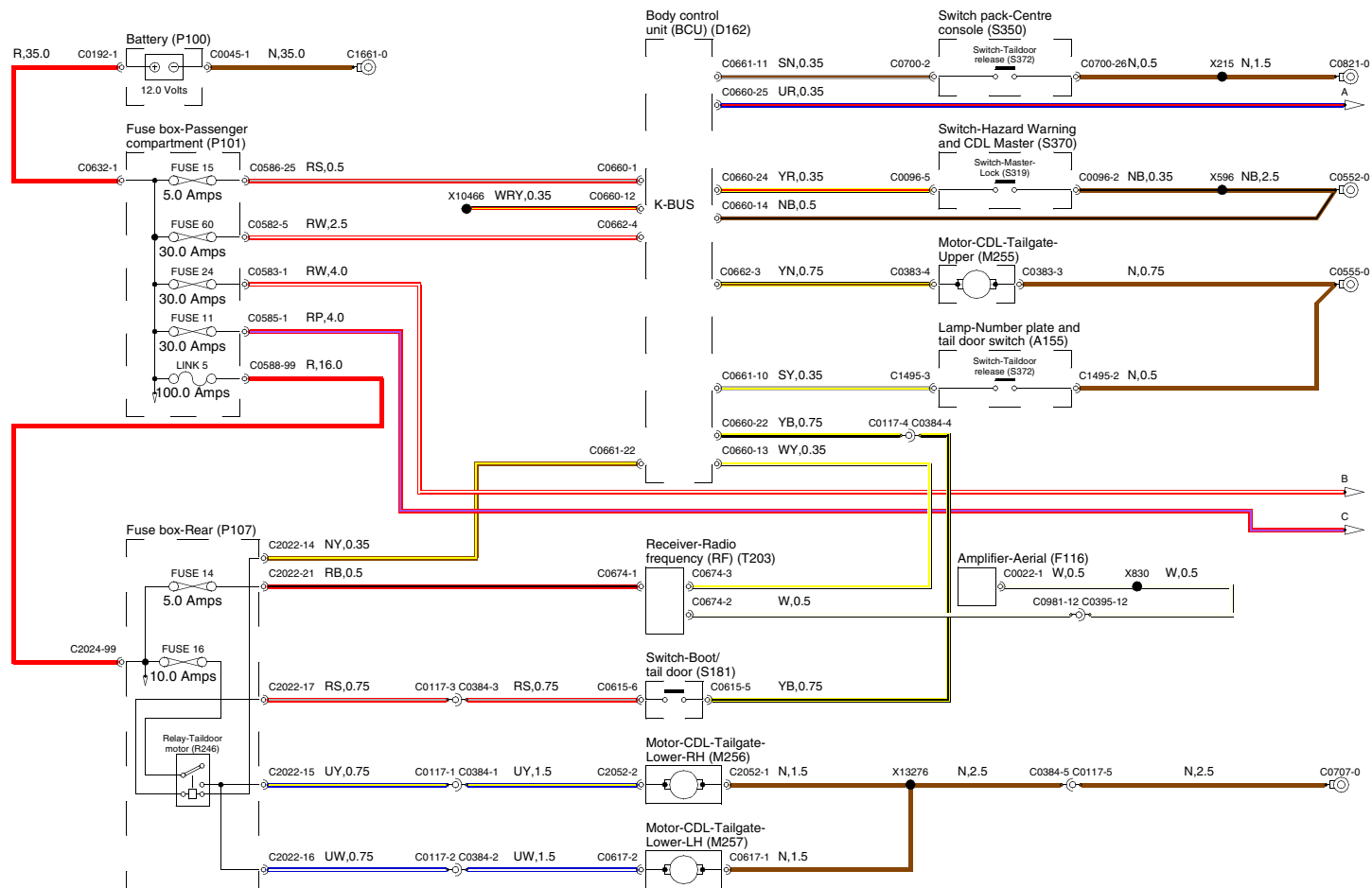
3 ENGINE IMMOBILISATION



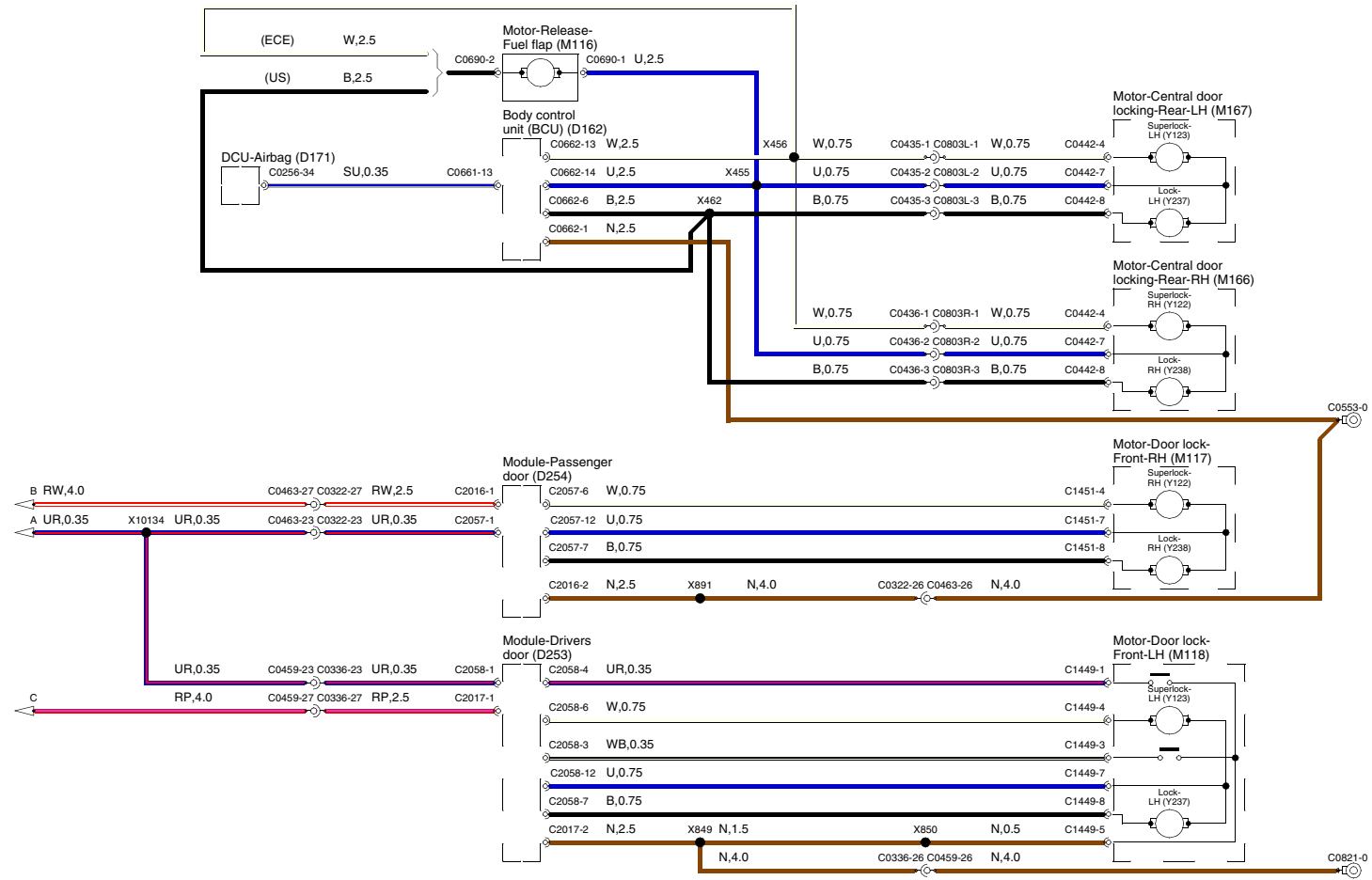
3 ENGINE IMMOBILISATION

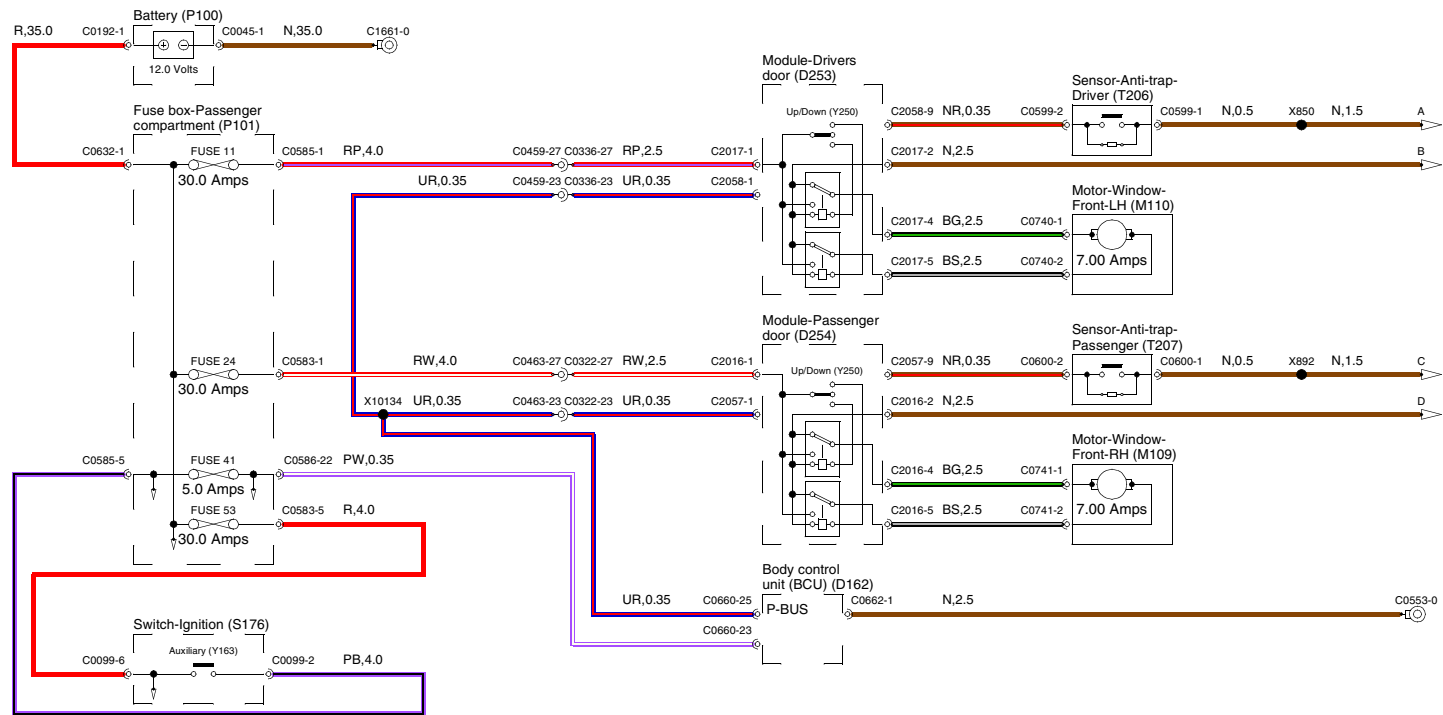


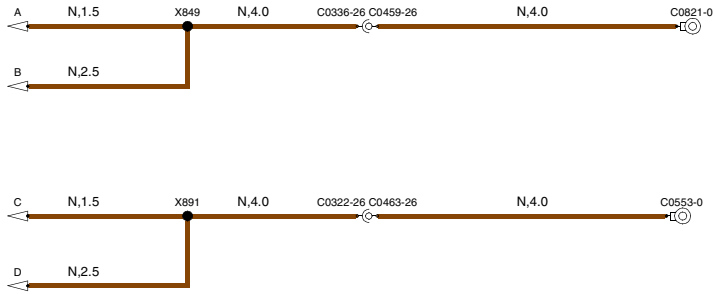
4 CENTRAL DOOR LOCKING

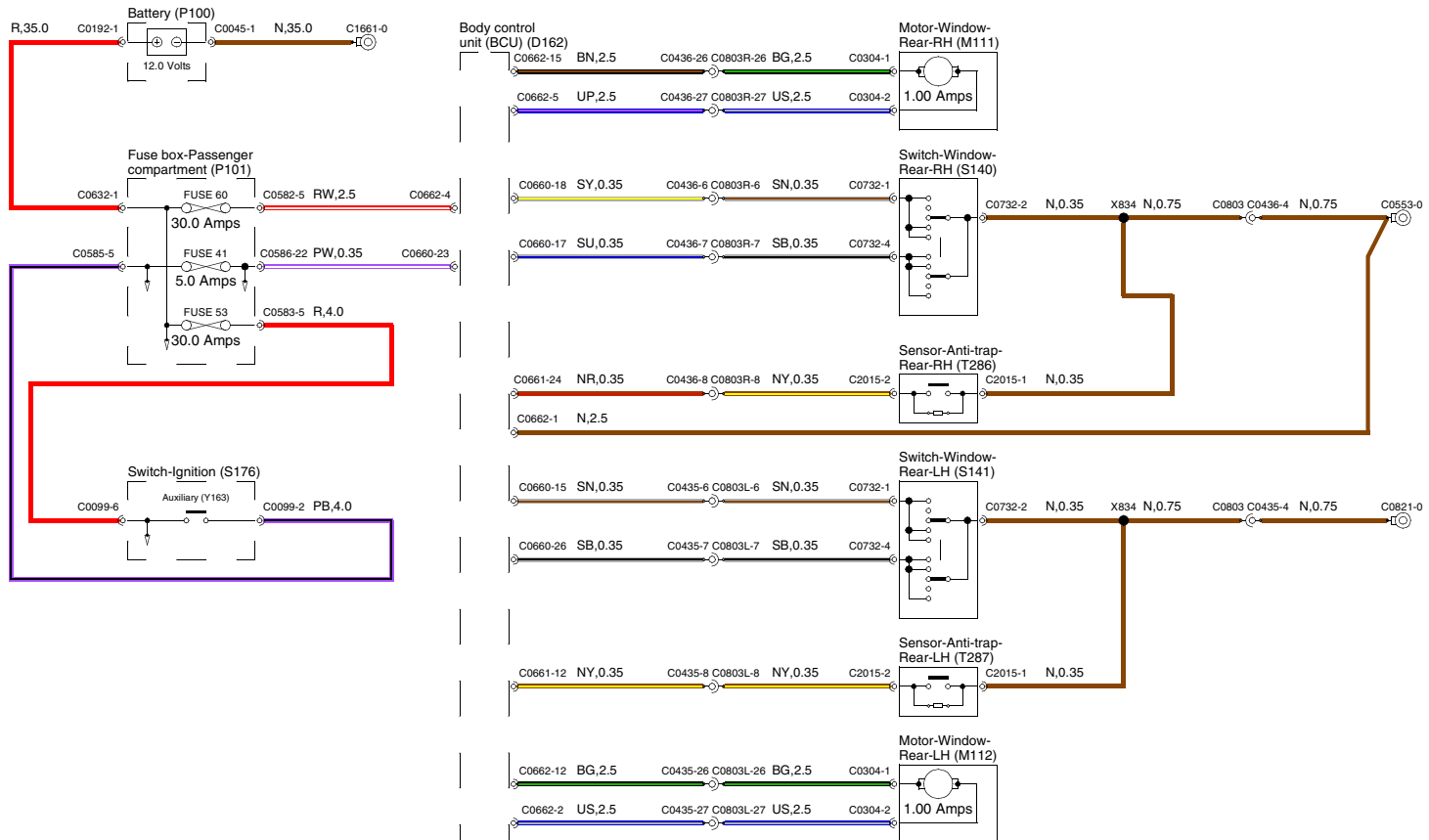


4 CENTRAL DOOR LOCKING

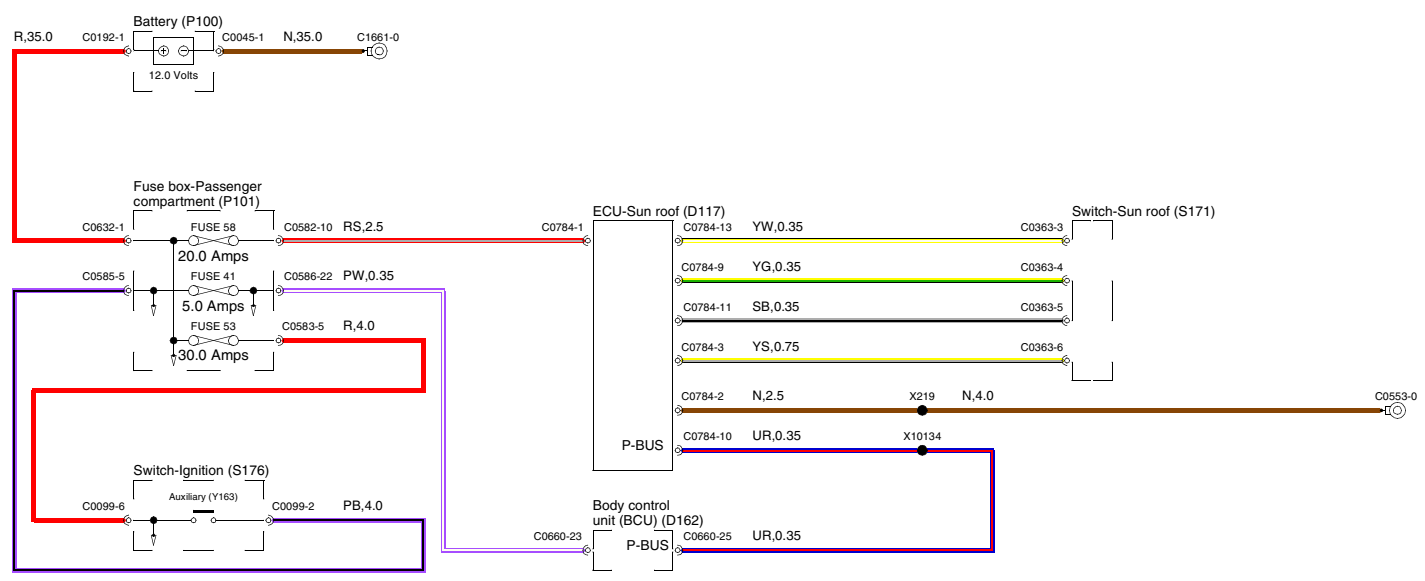




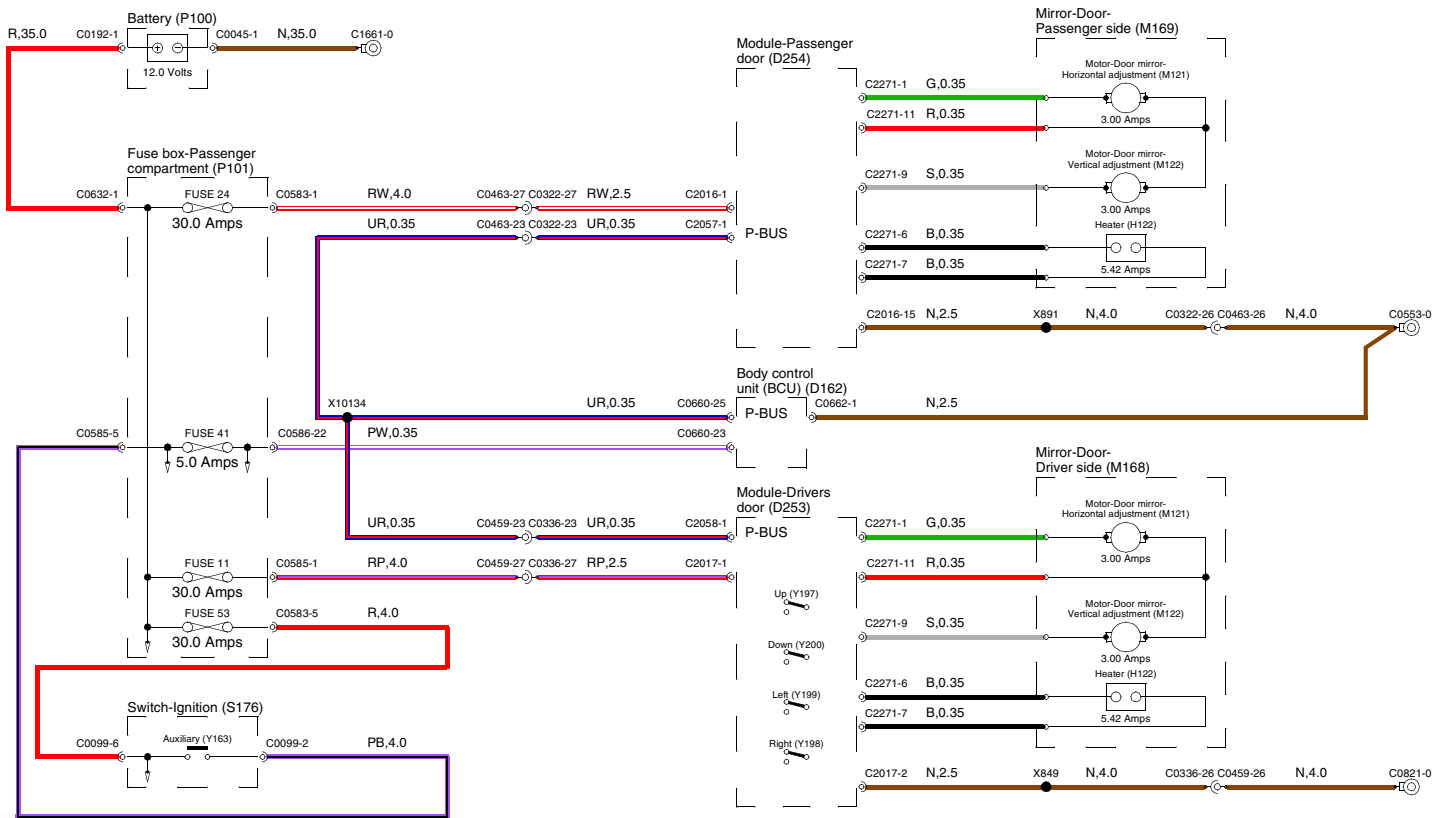




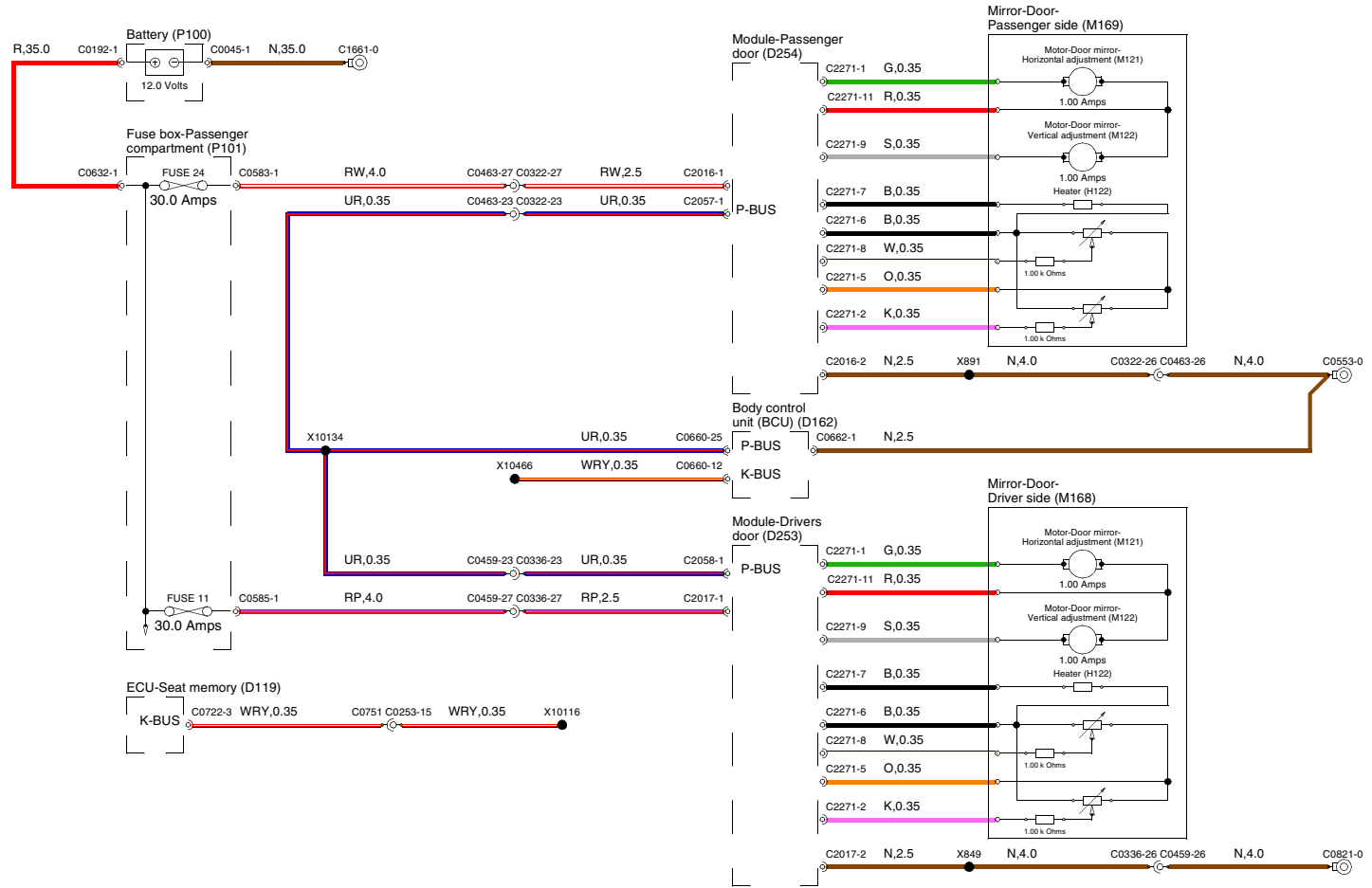
6 SUNROOF



7 DOOR MIRRORS

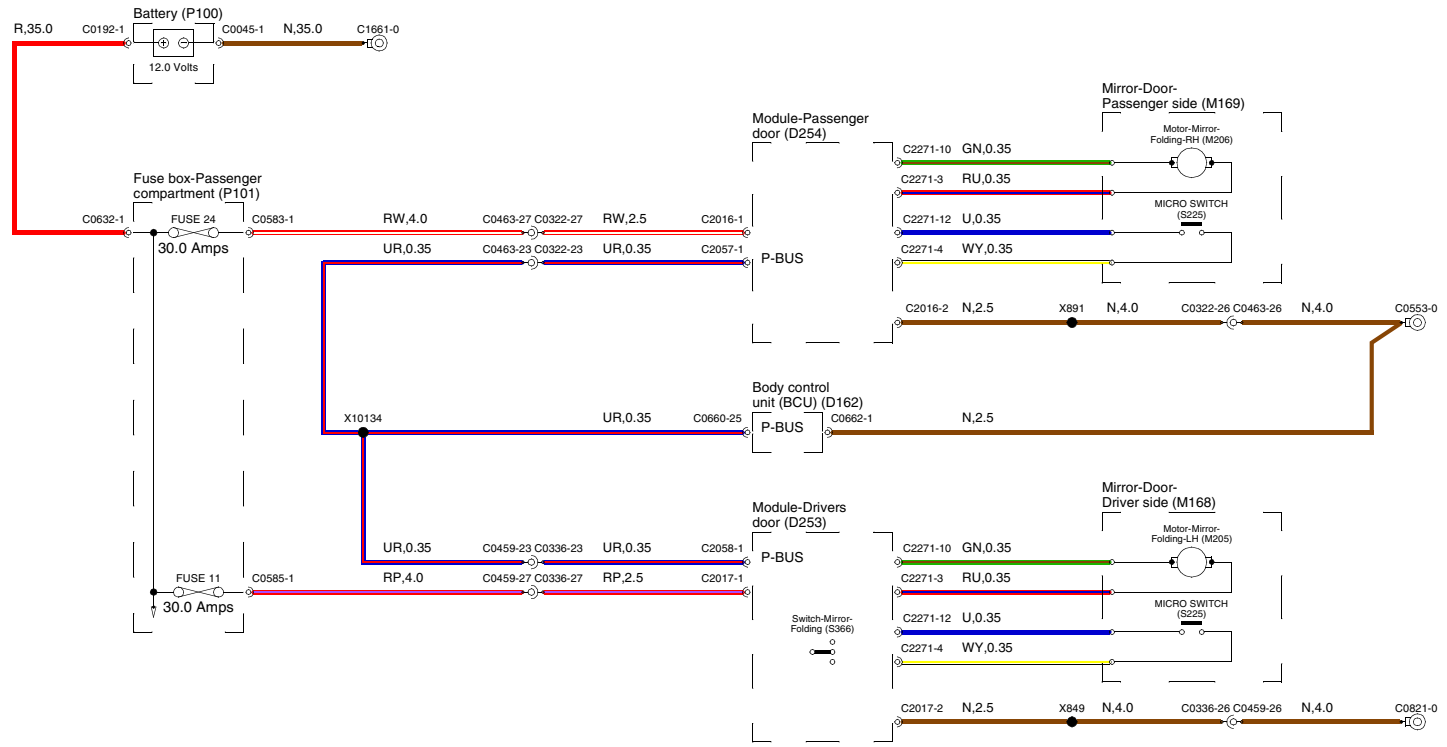


7 DOOR MIRRORS

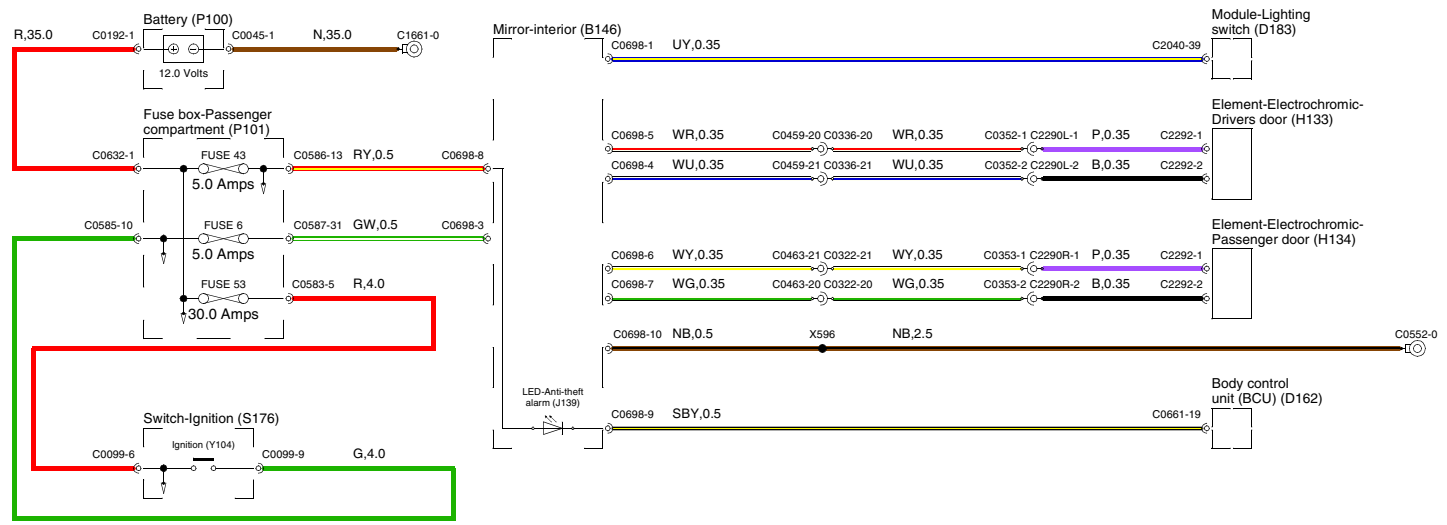


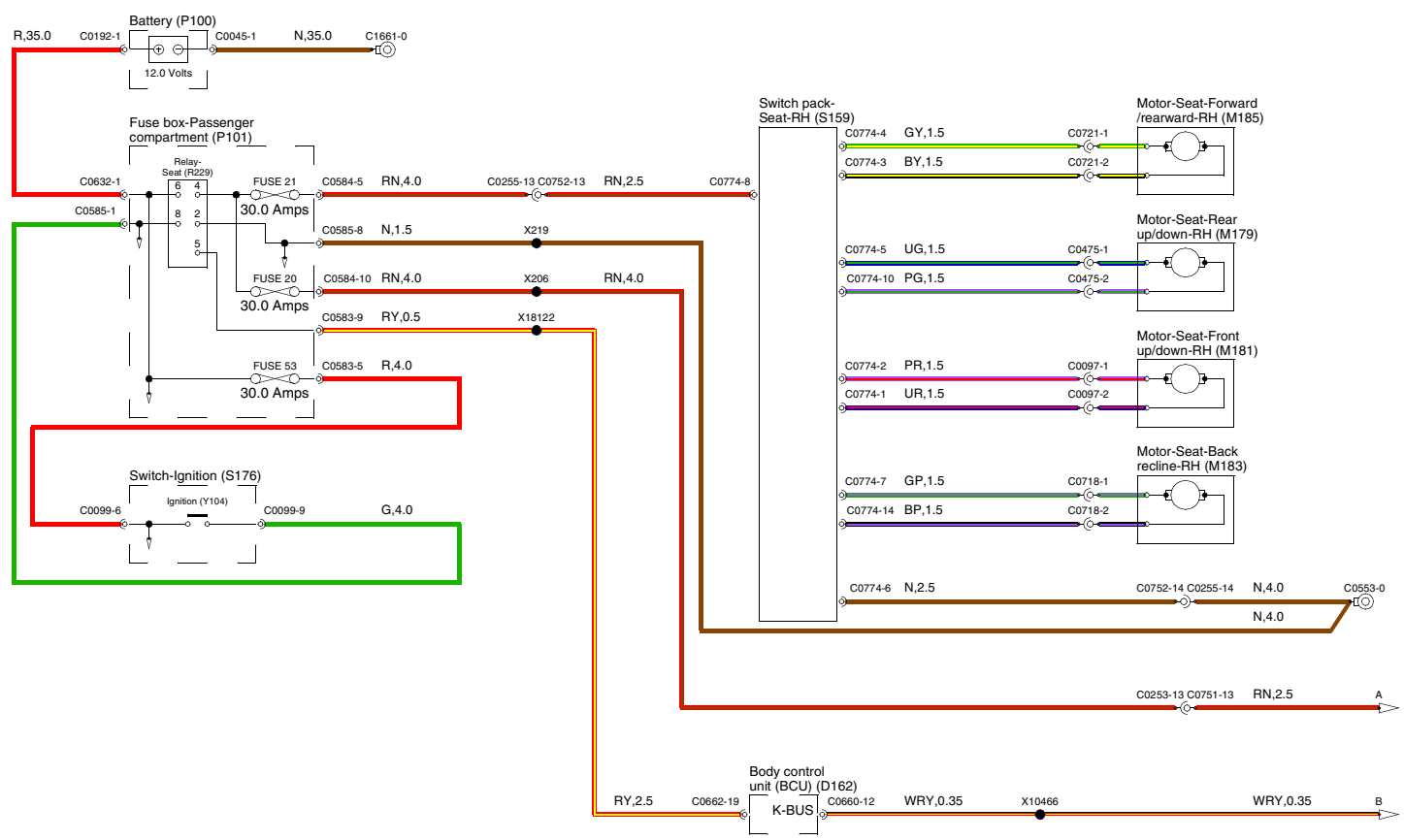
7 DOOR MIRRORS

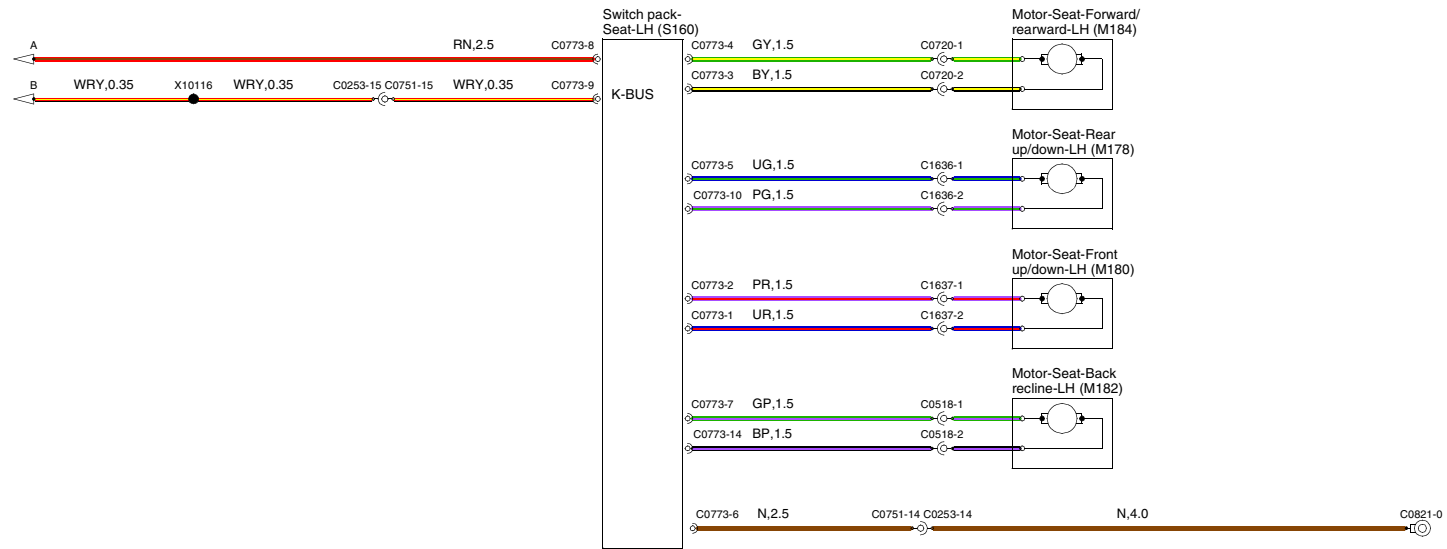
Folding

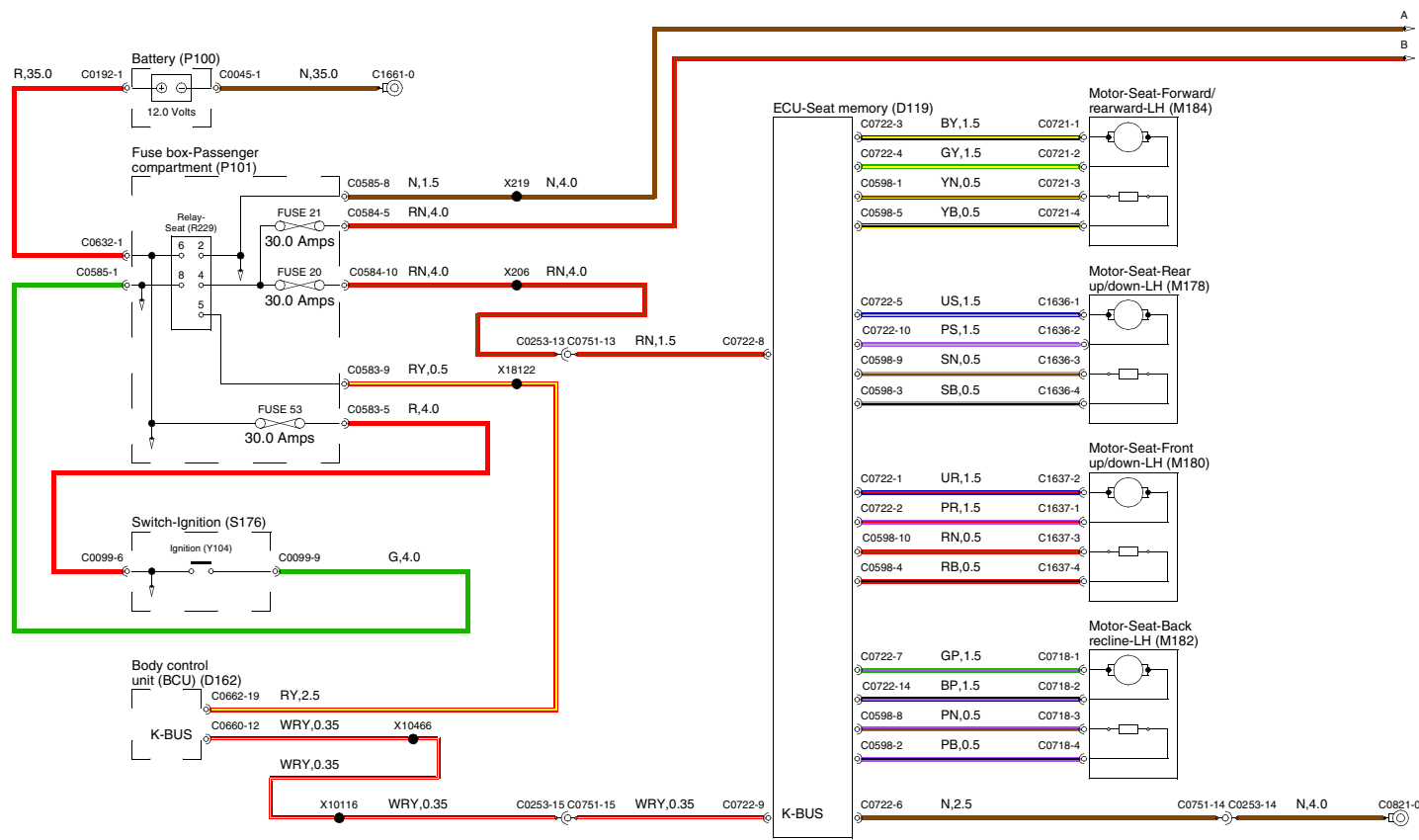


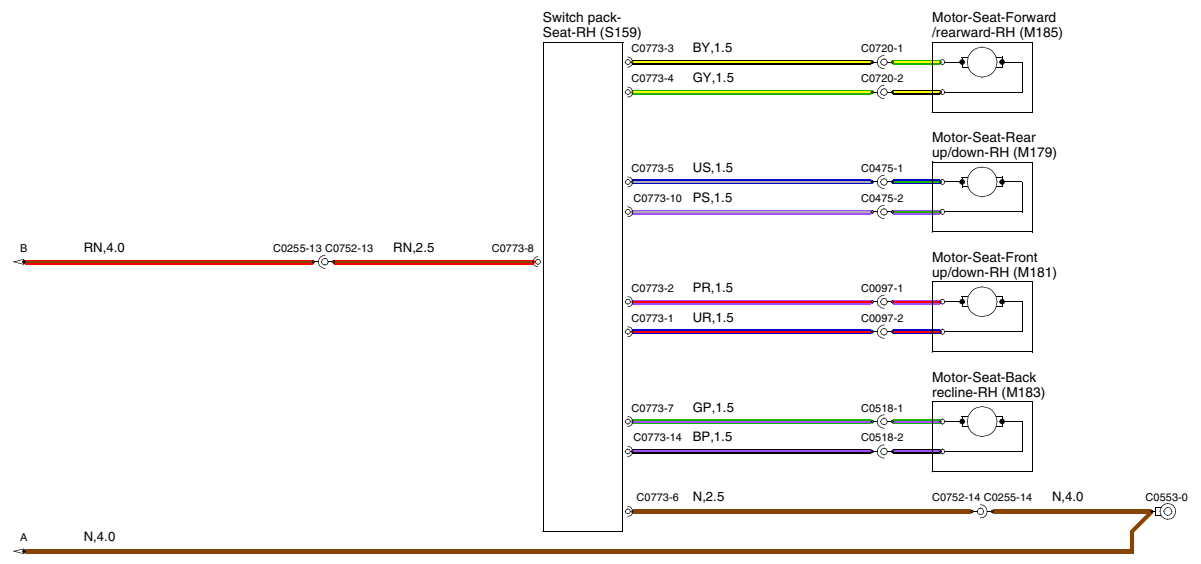
7 INTERIOR MIRROR

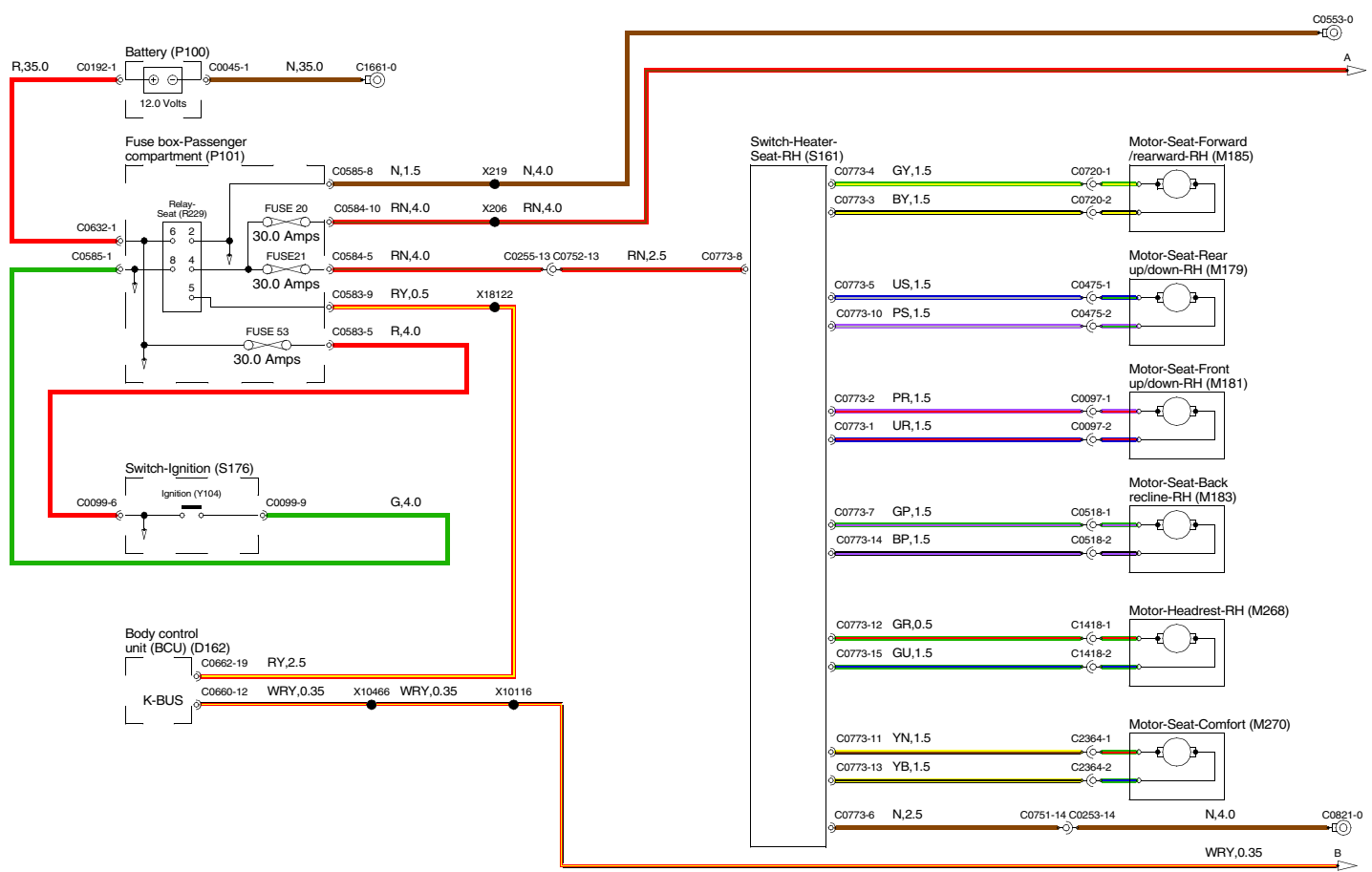


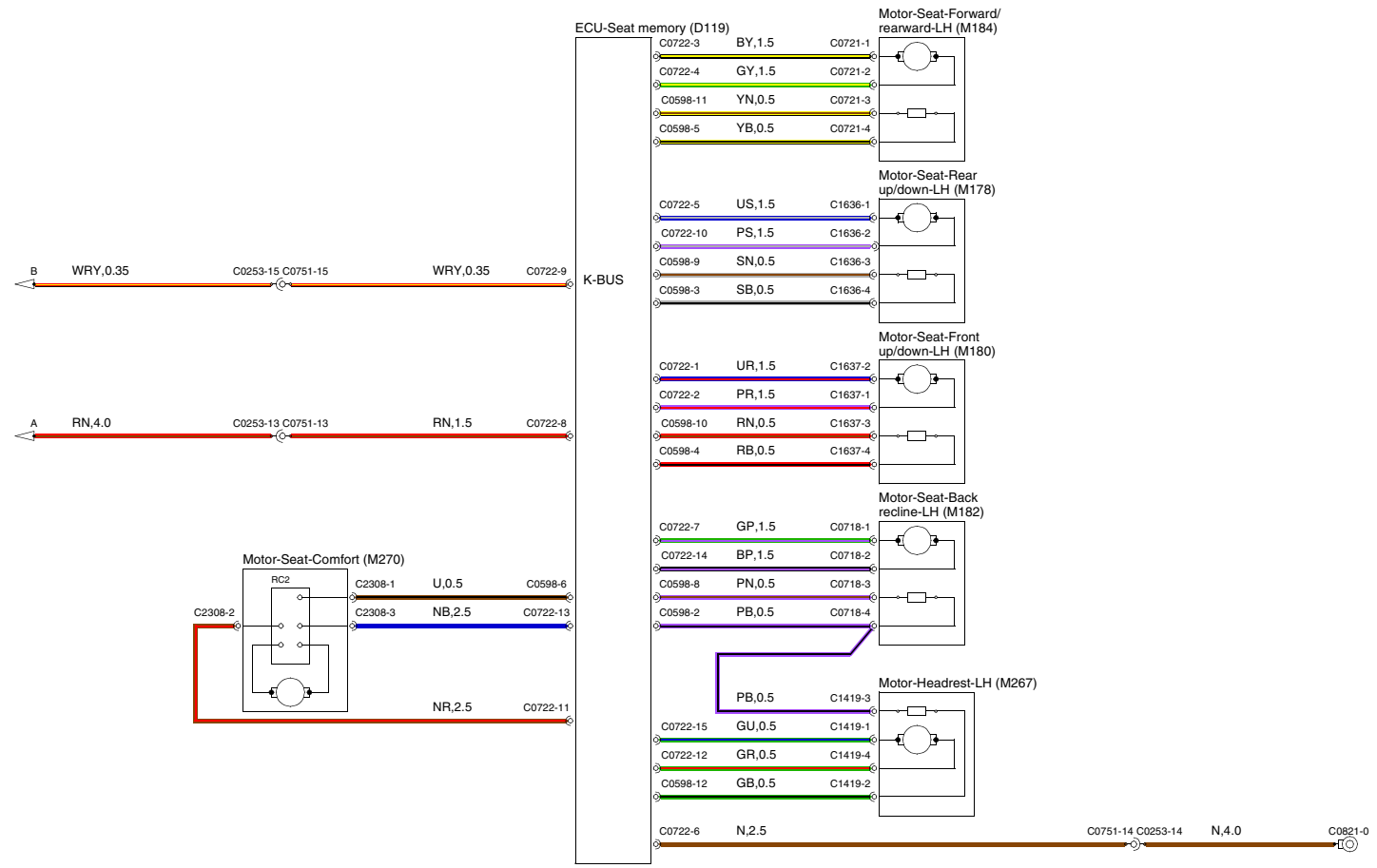


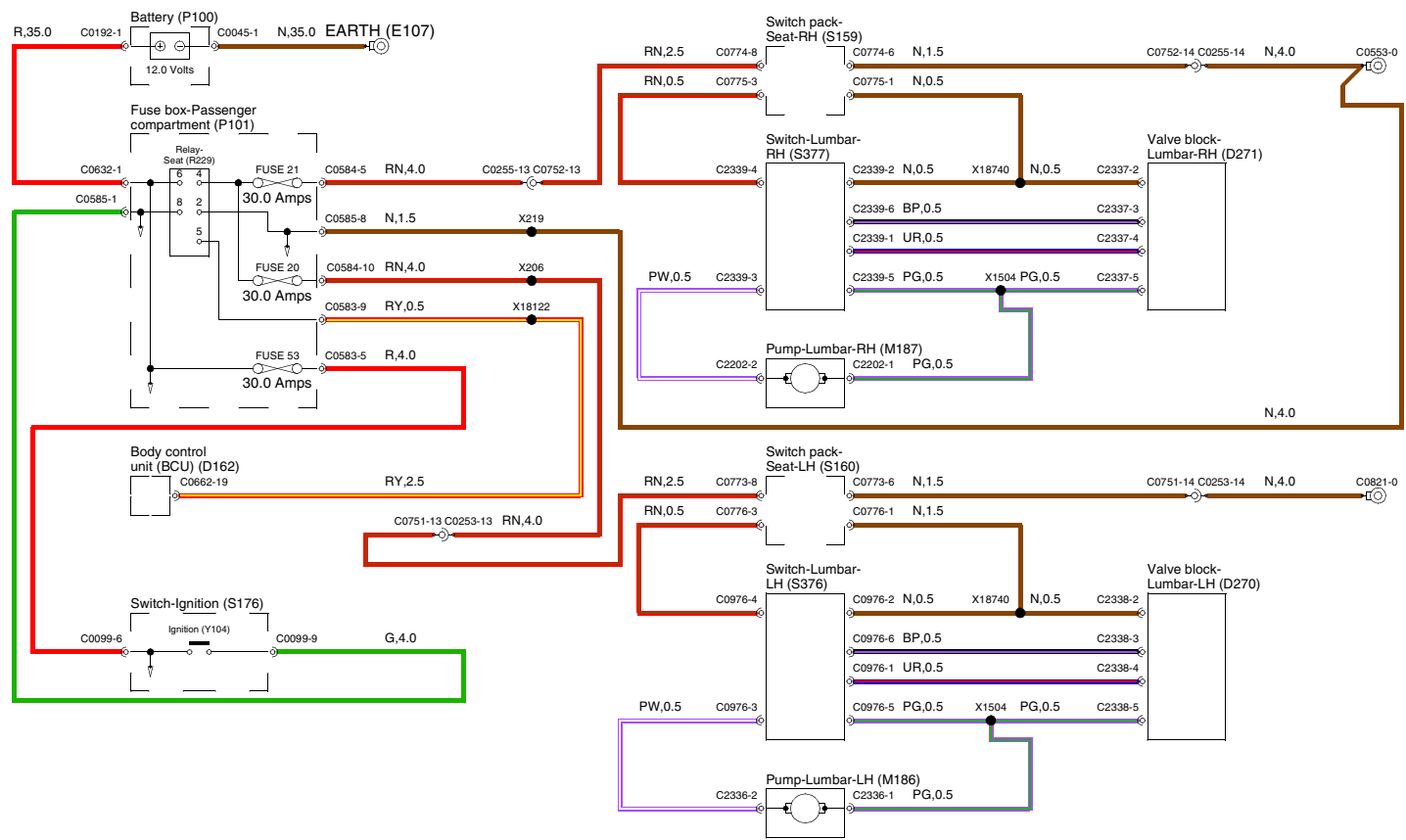


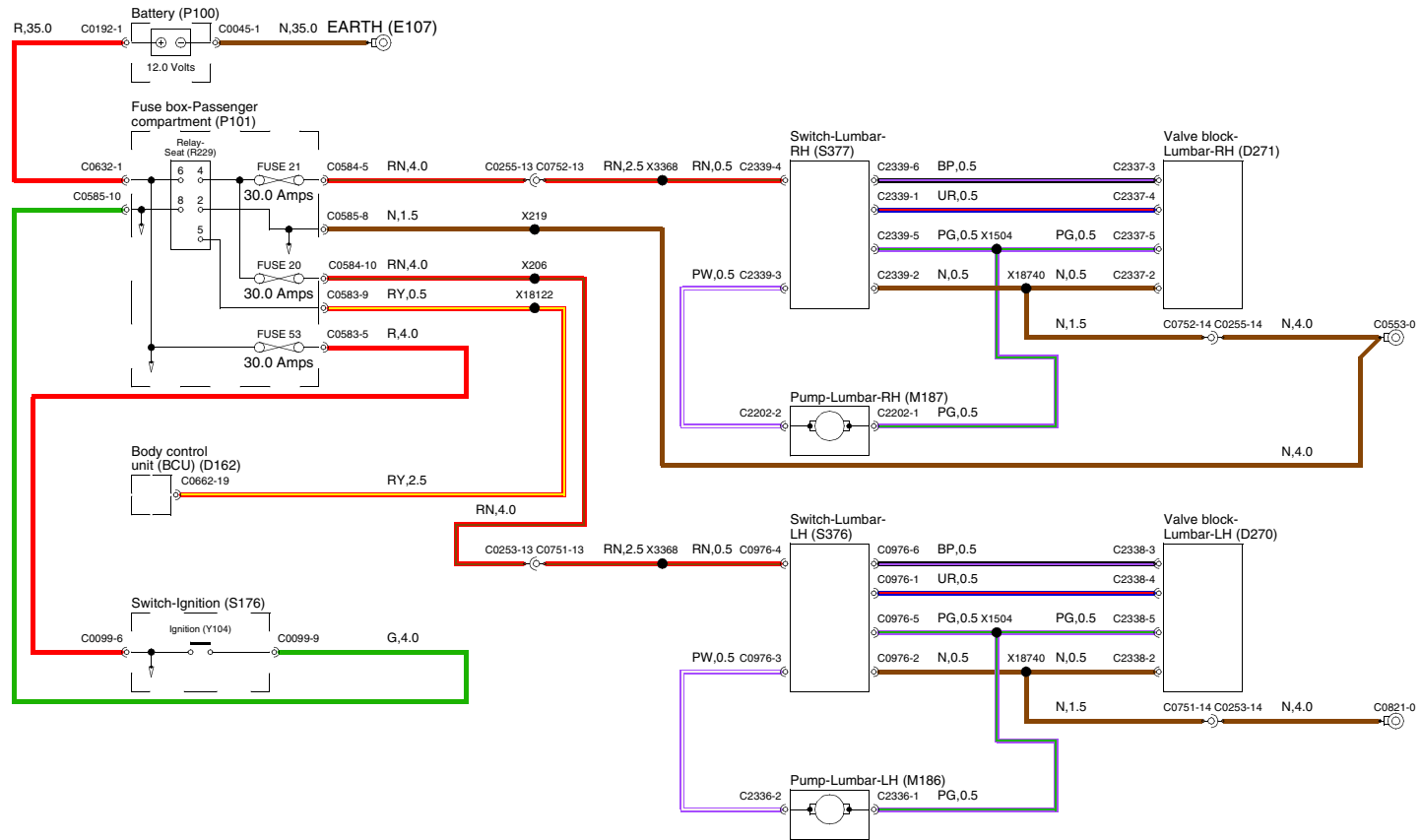


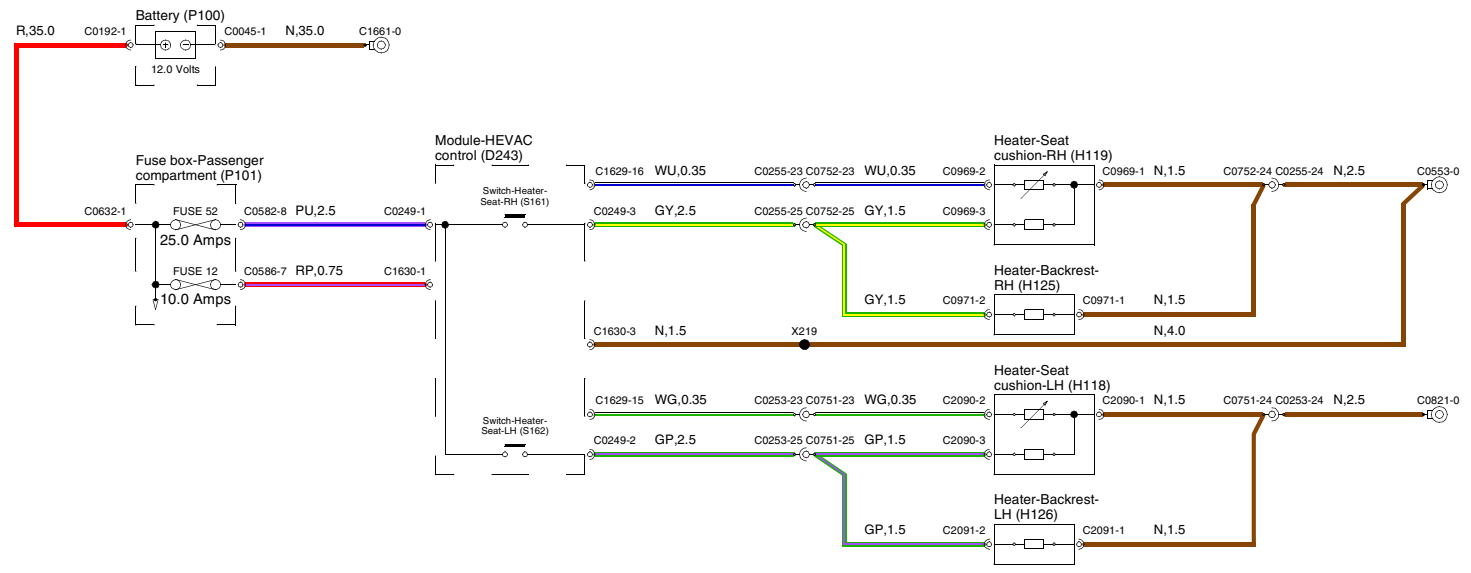


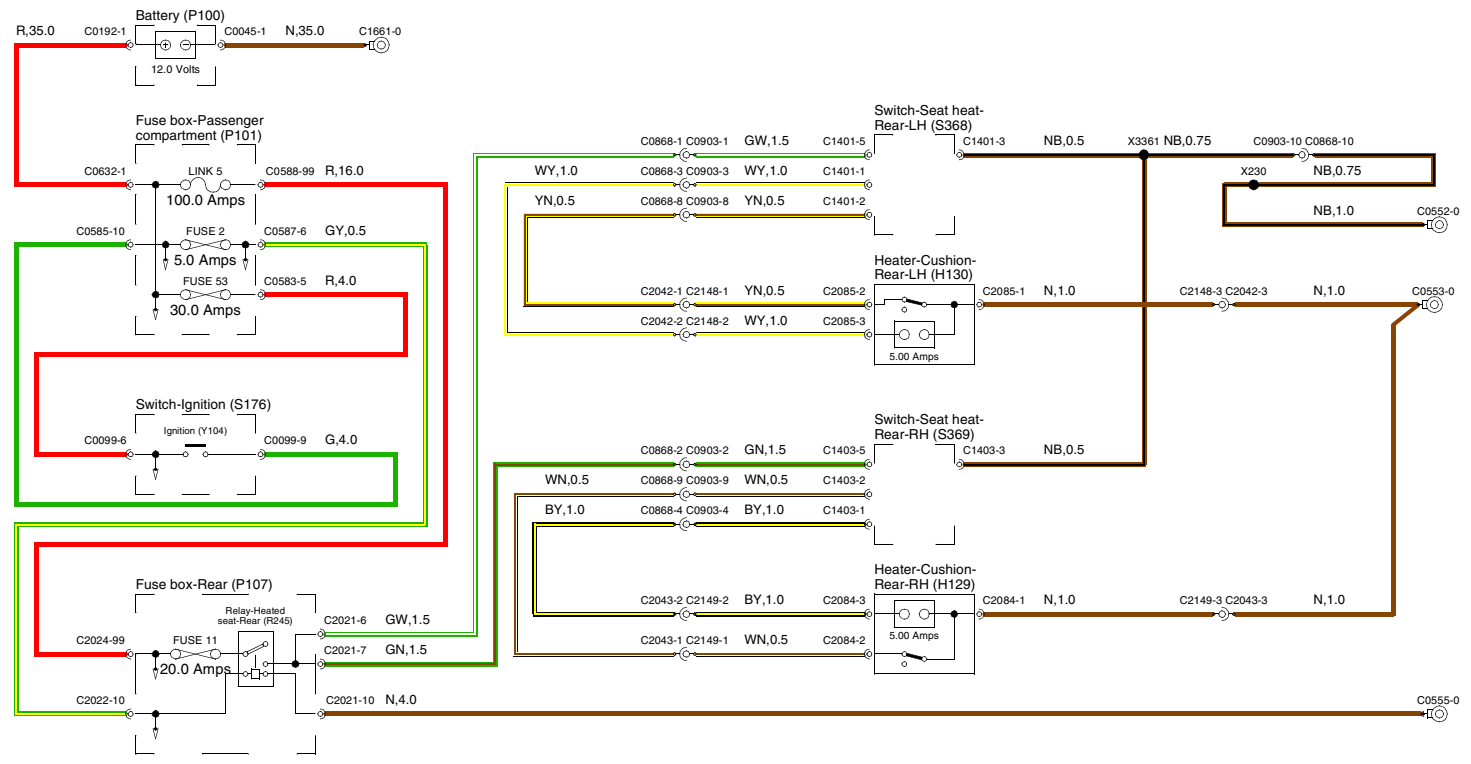






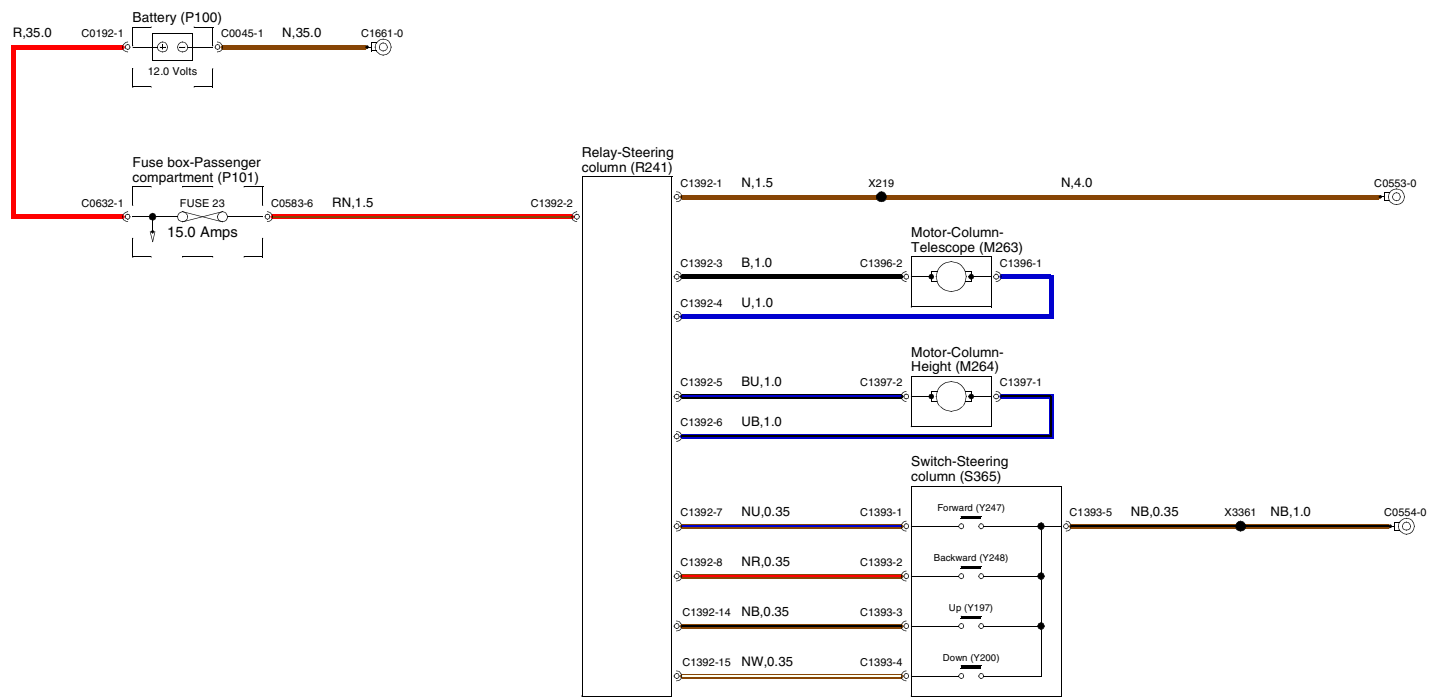






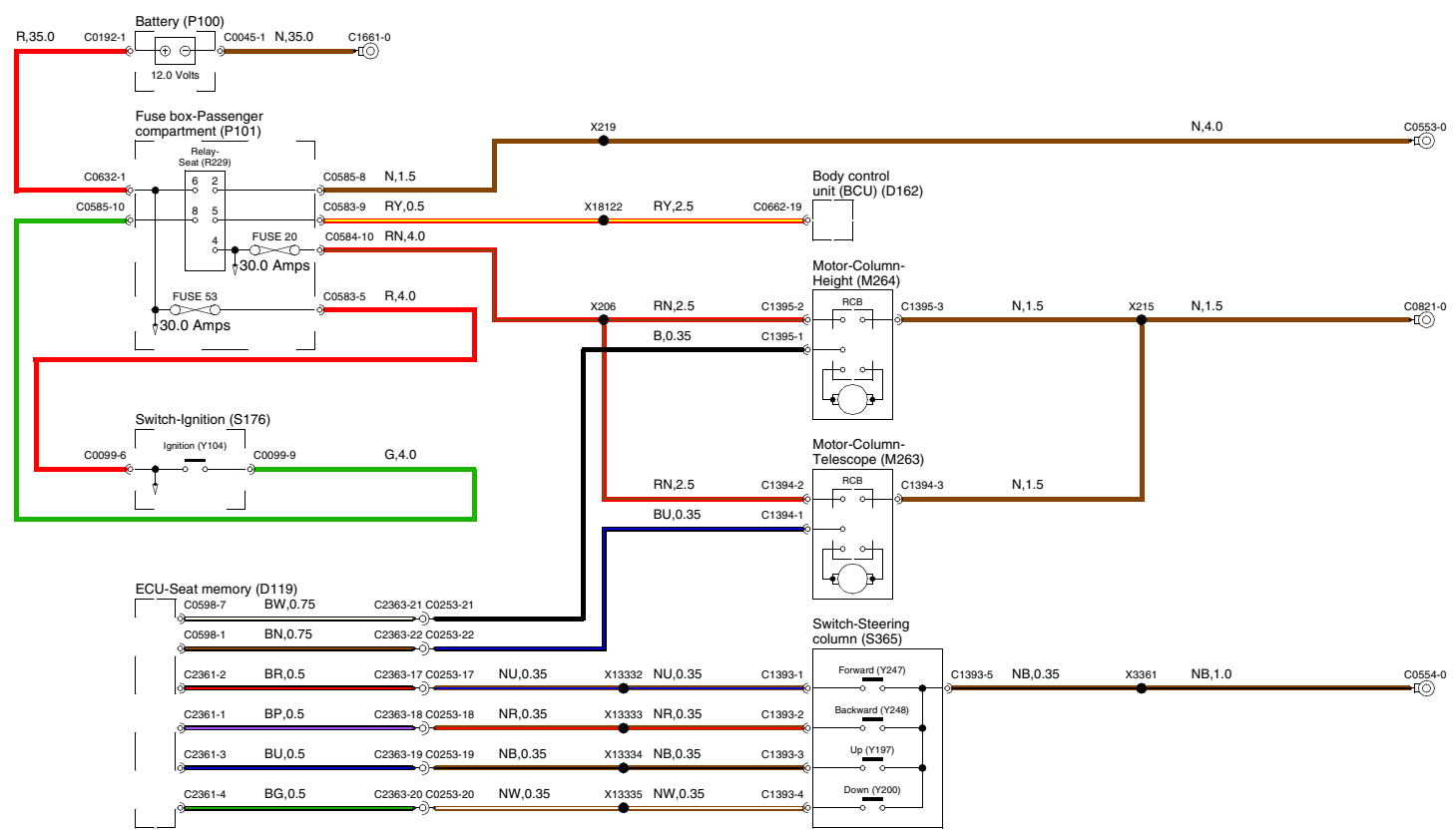
9 STEERING WHEEL

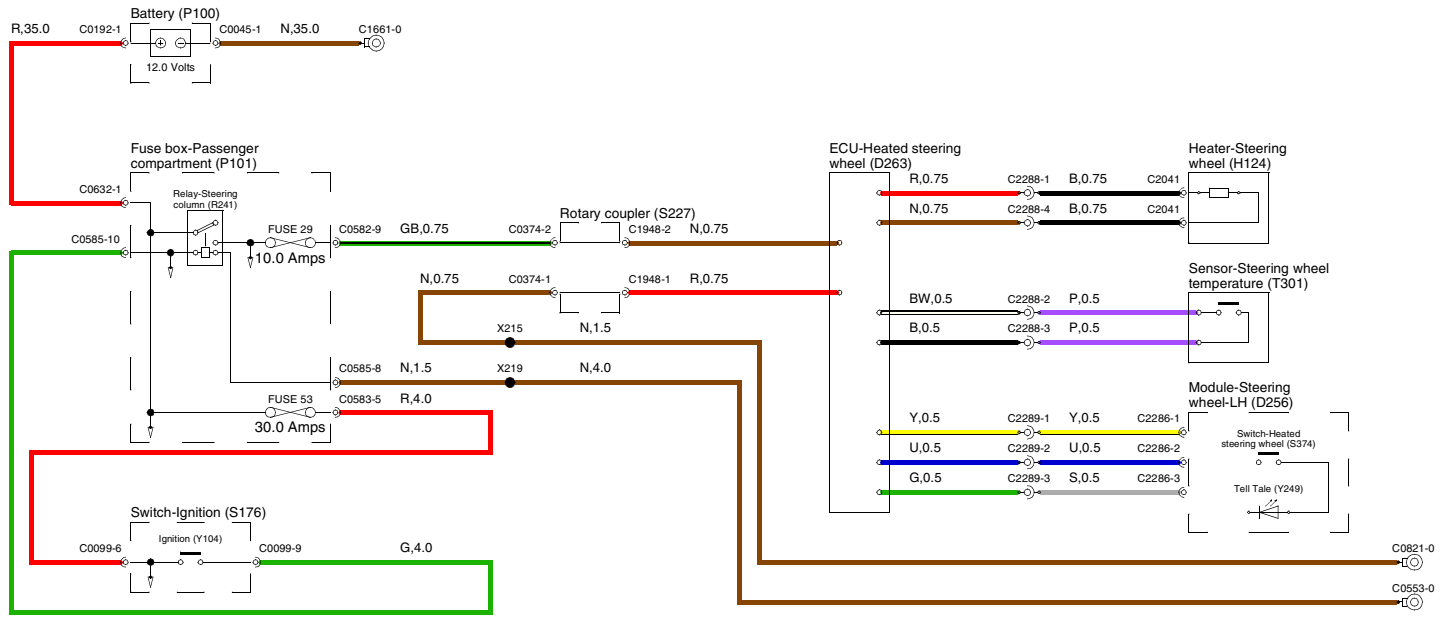
Adjustable



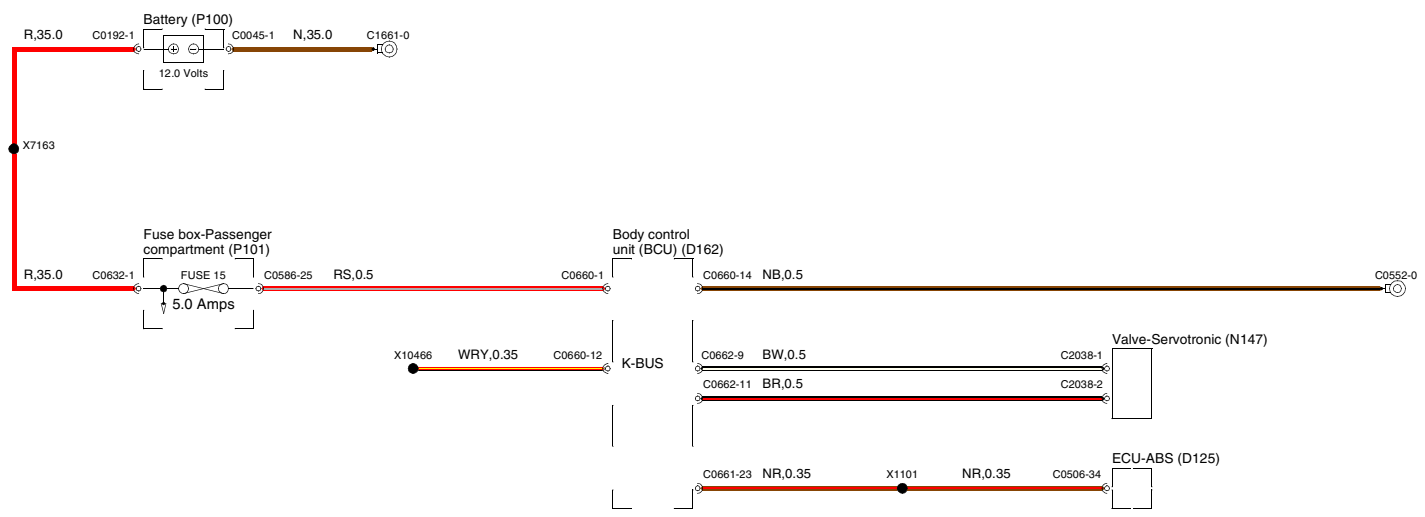
9 STEERING WHEEL

Adjustable - Memory

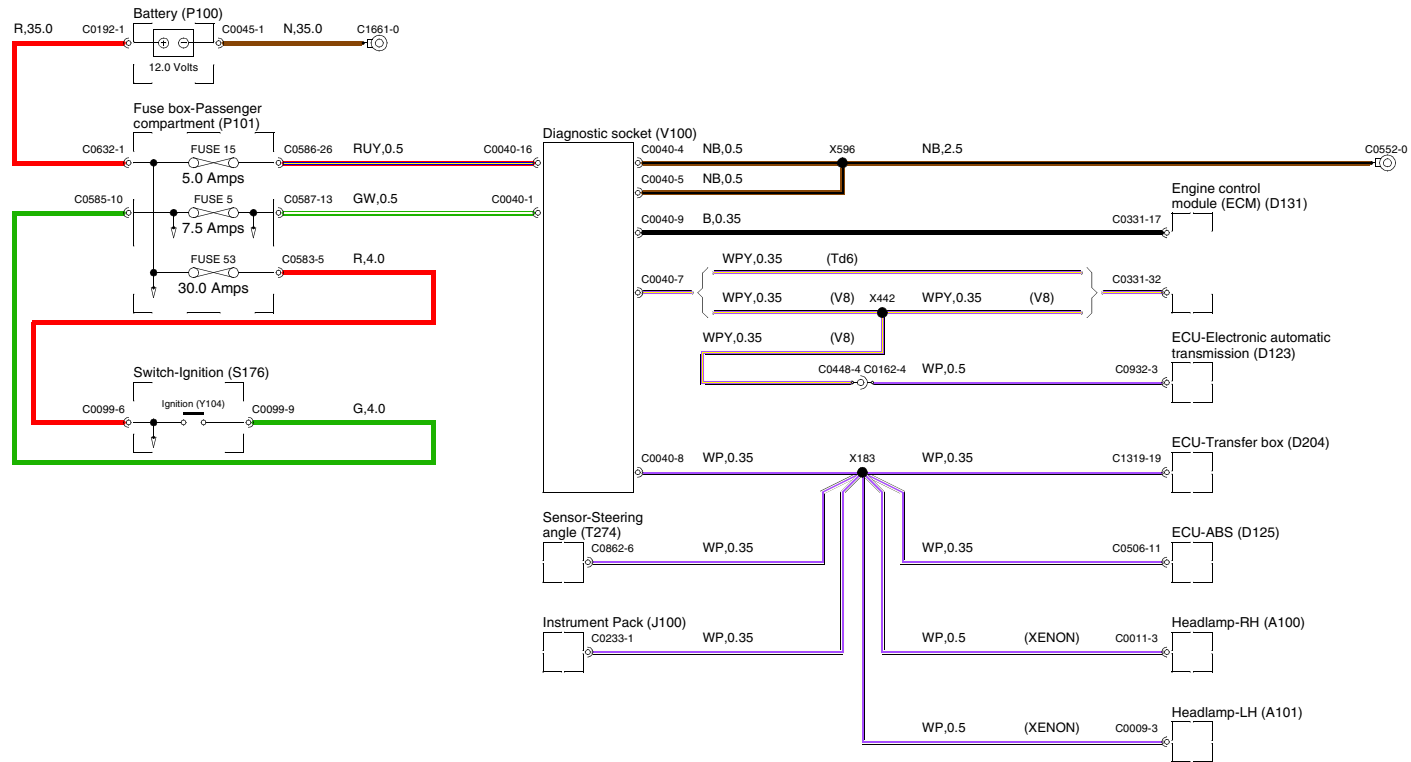




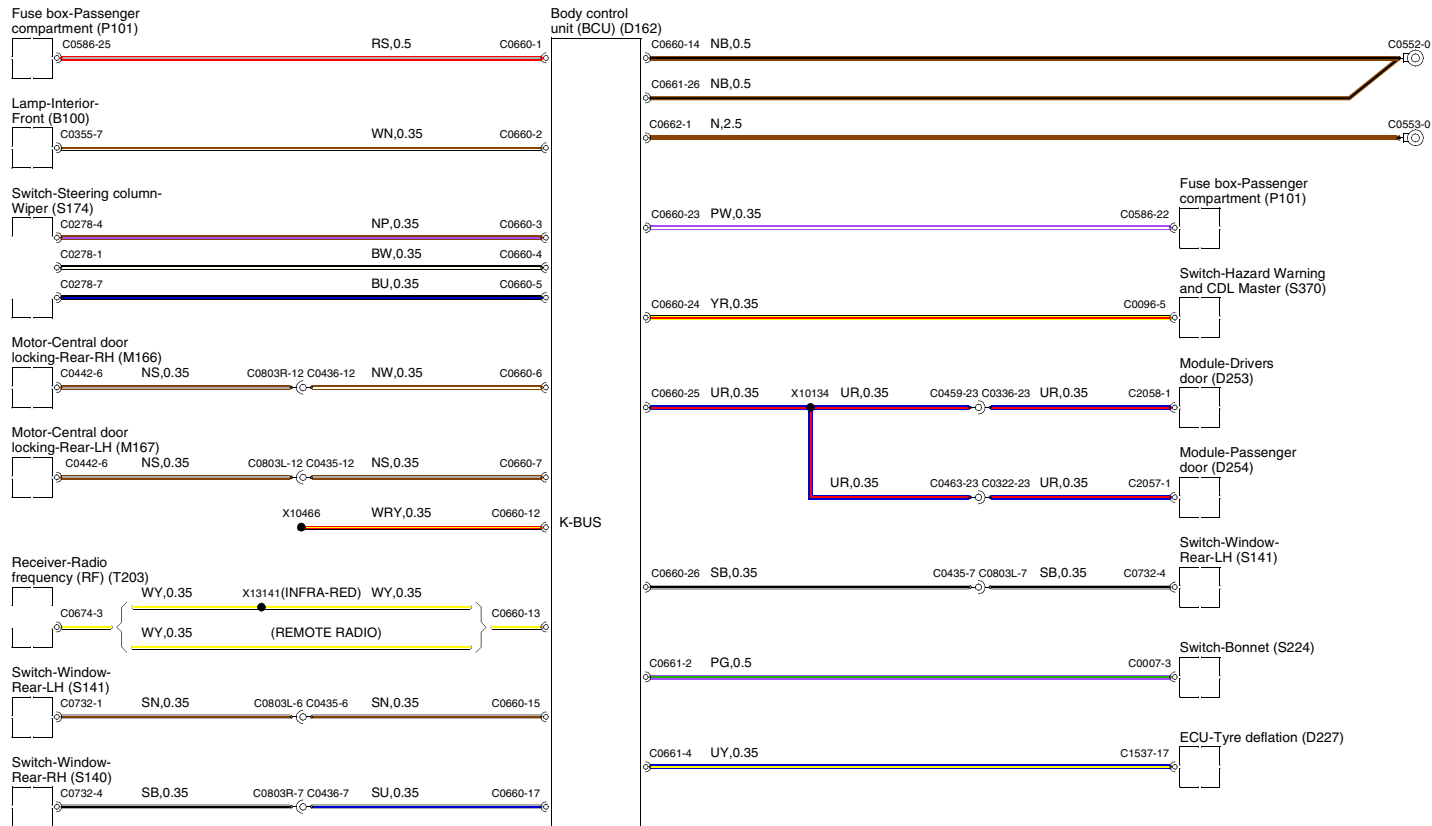
9 STEERING



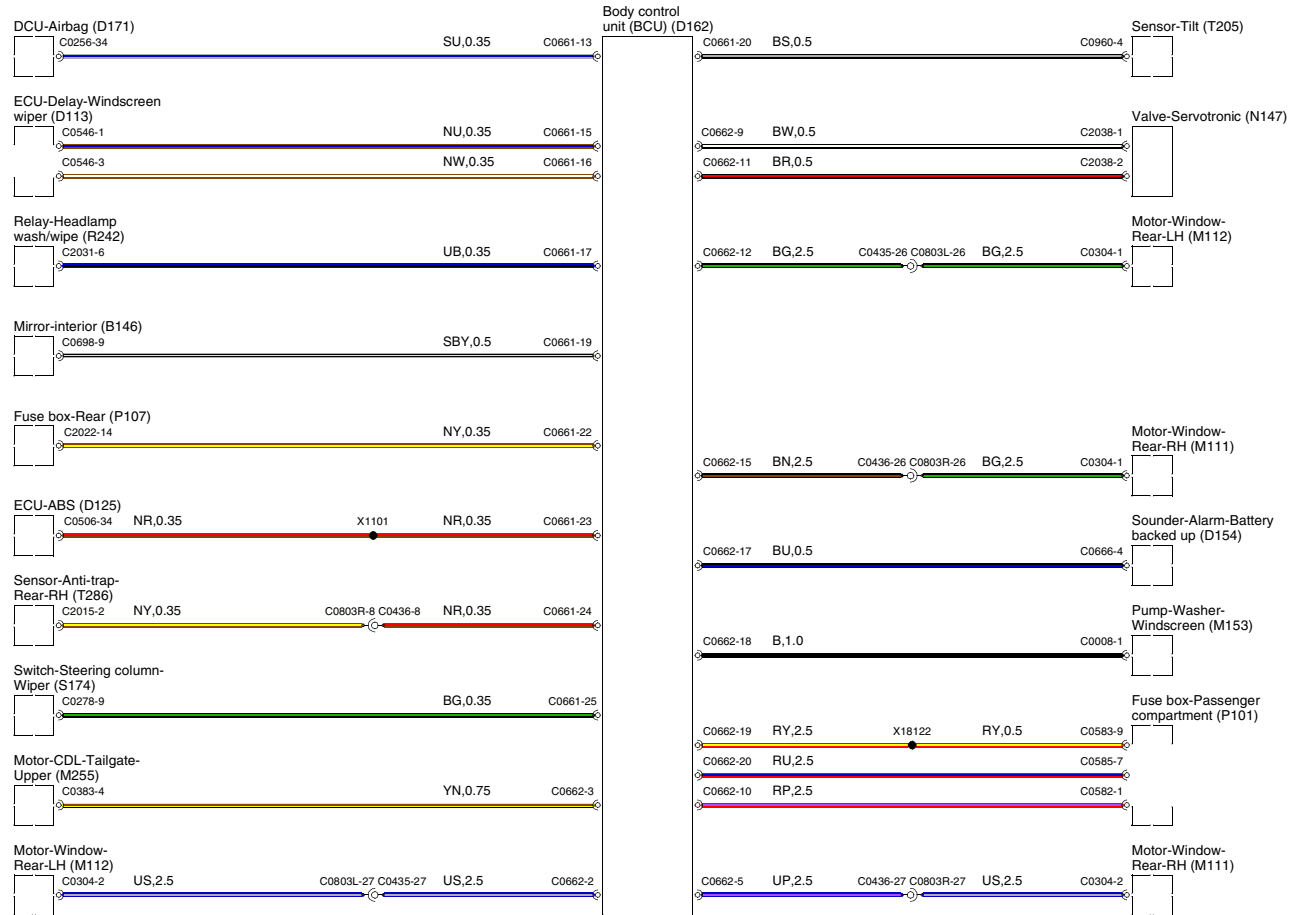
10 DIAGNOSTIC SOCKET



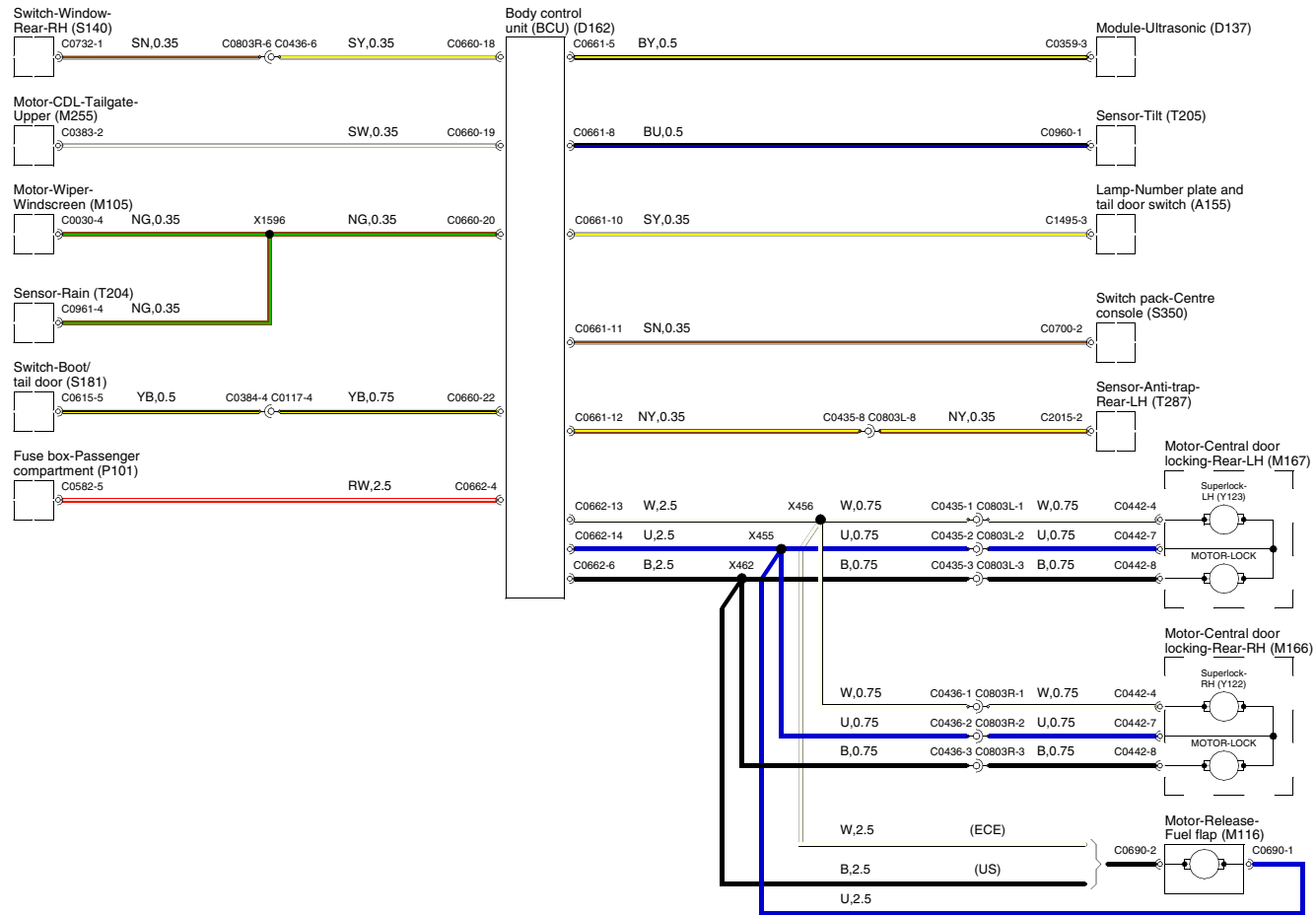
11 BODY CONTROL UNIT

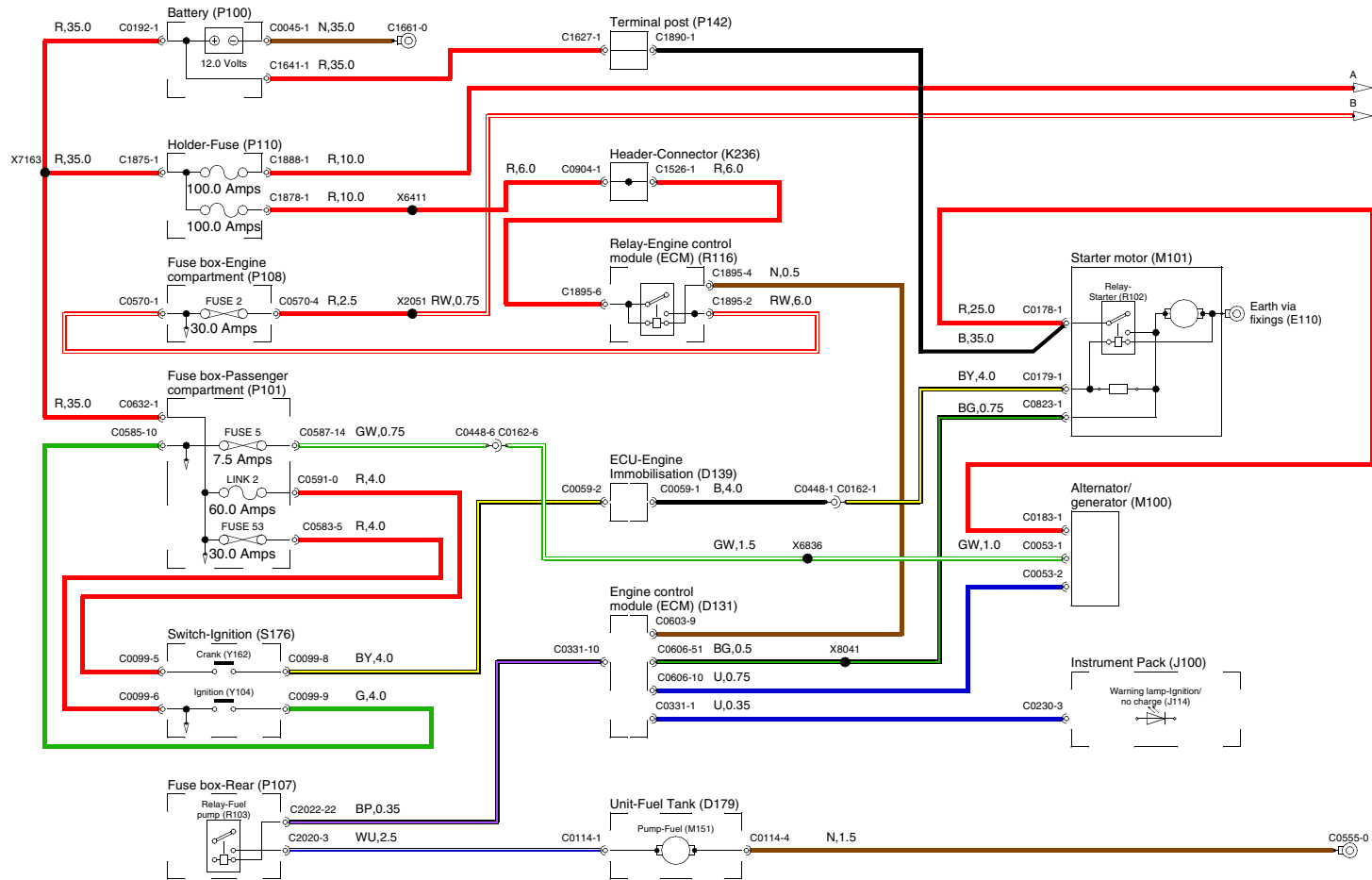


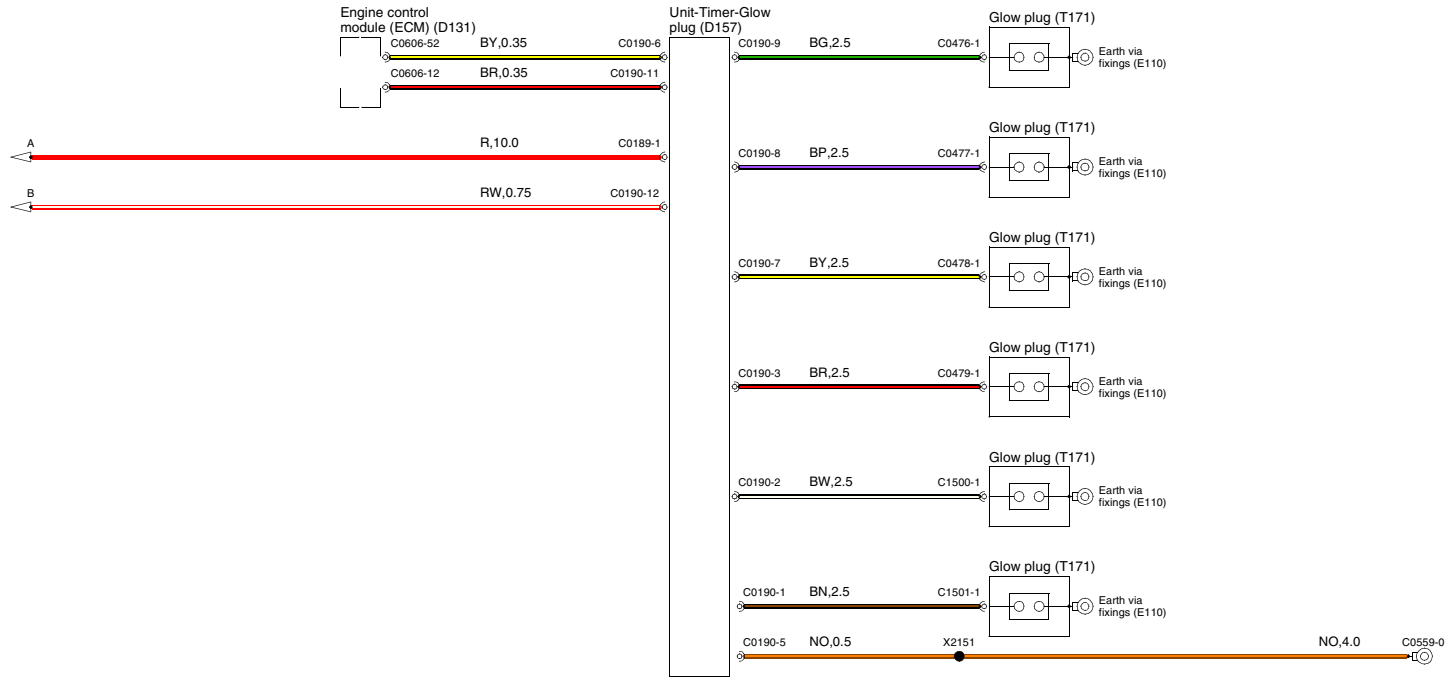
11 BODY CONTROL UNIT

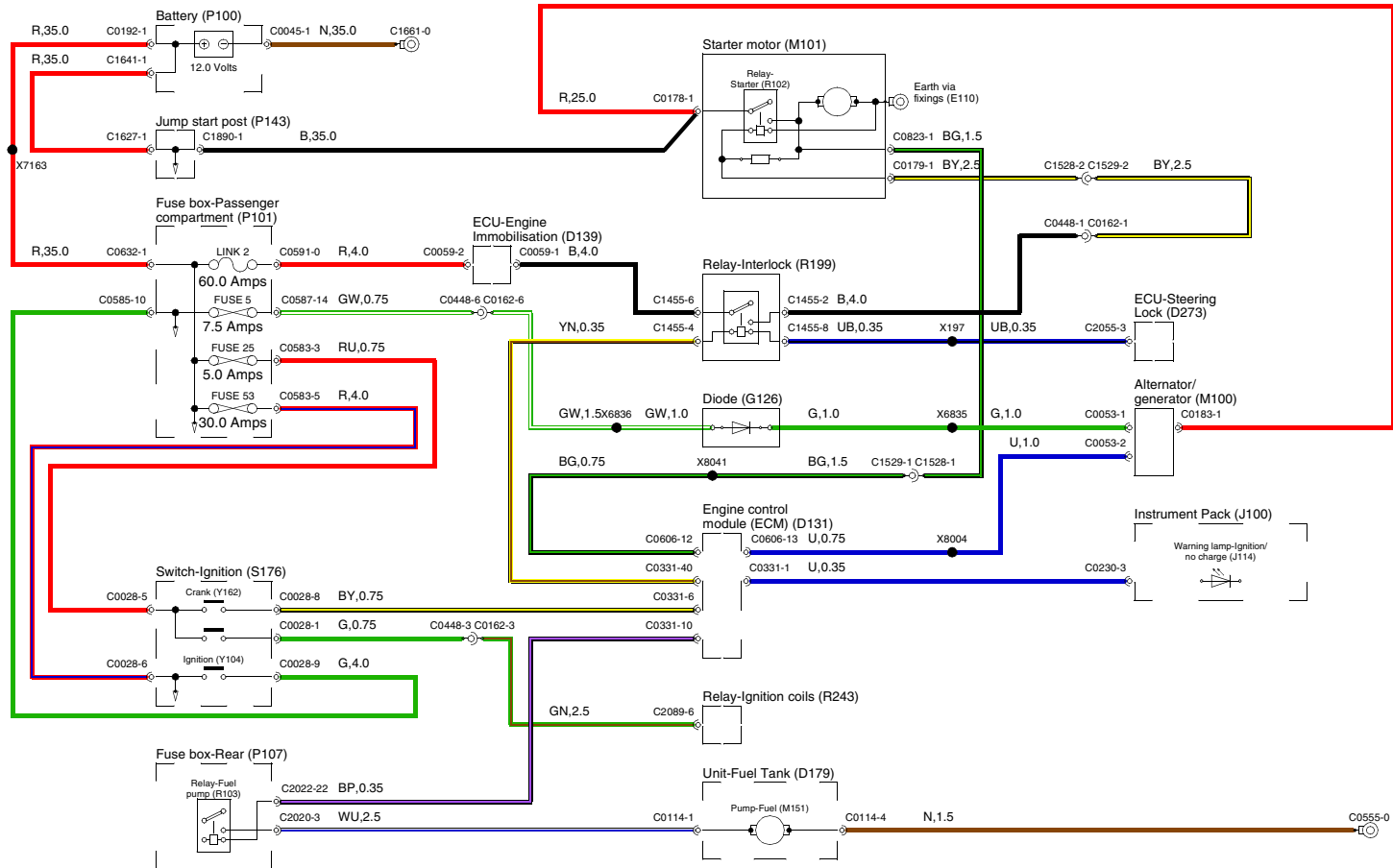


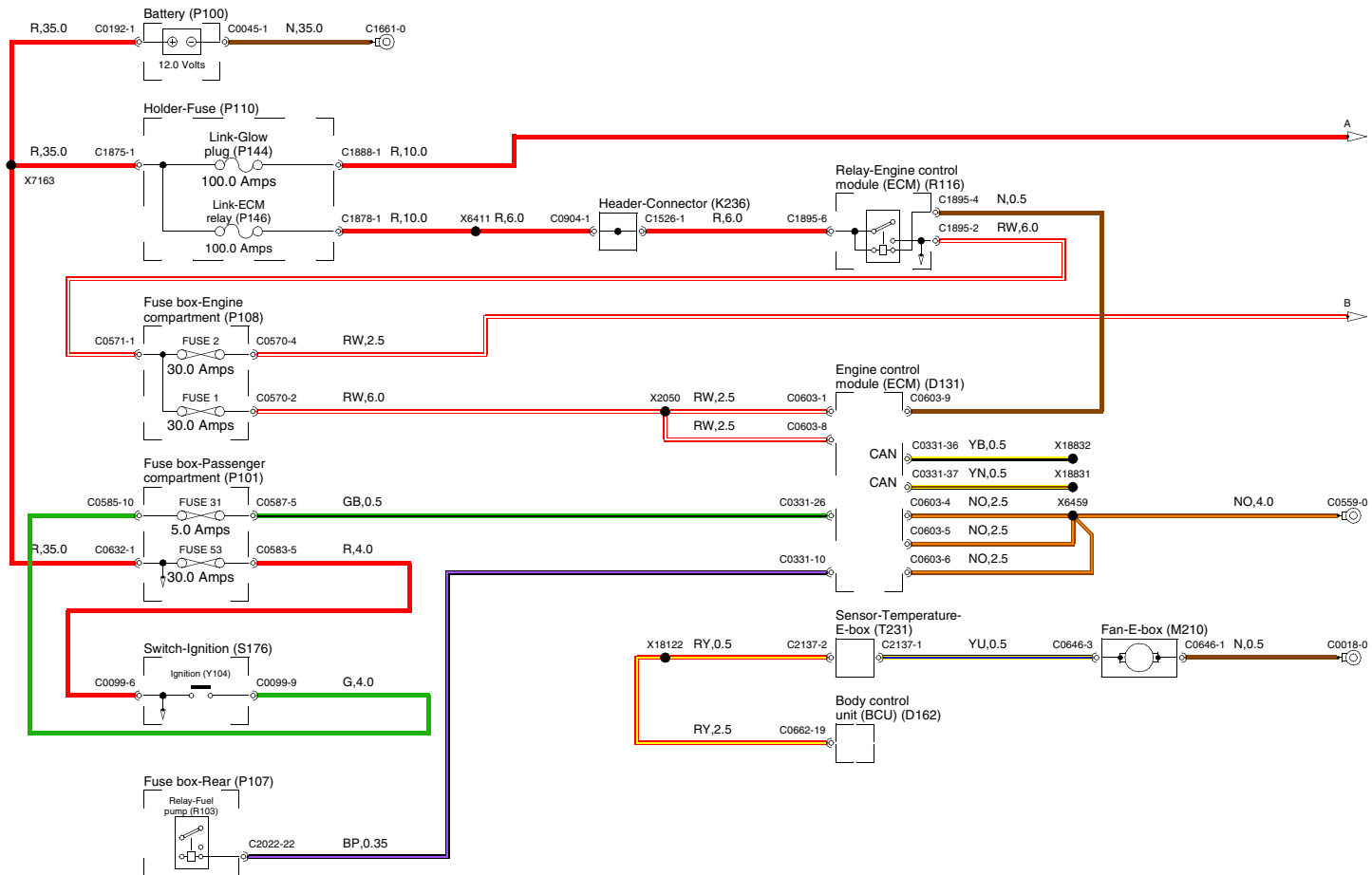
11 BODY CONTROL UNIT

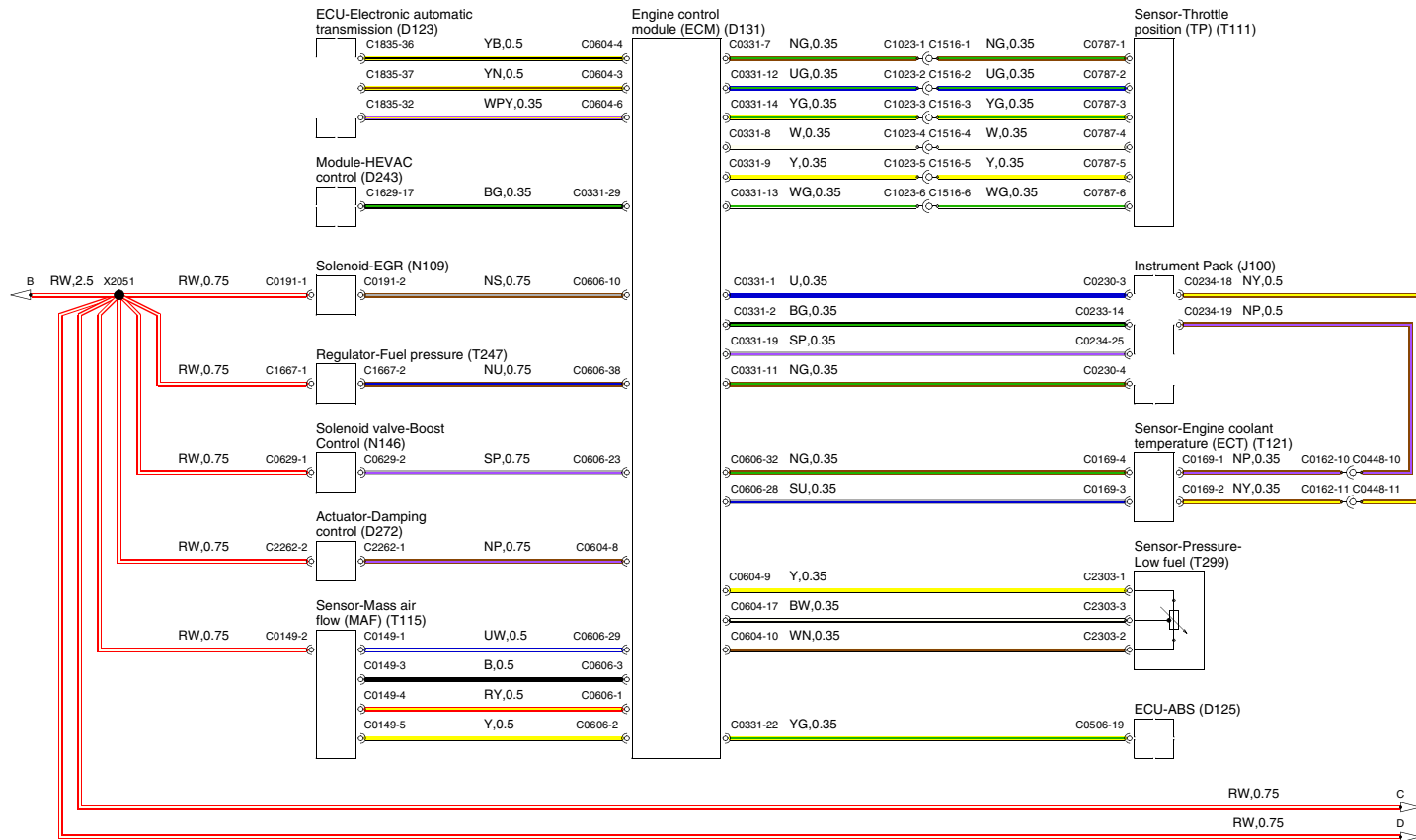


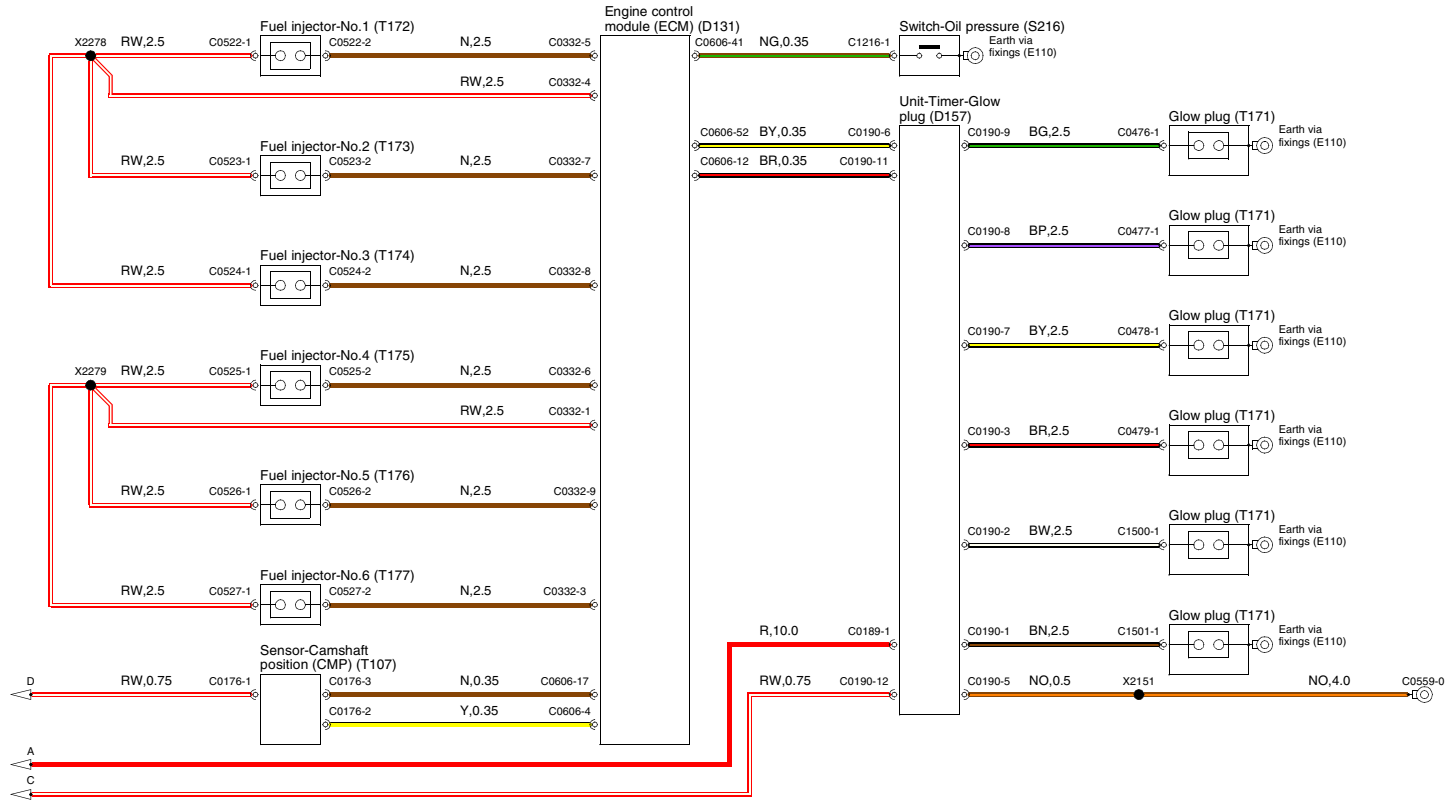


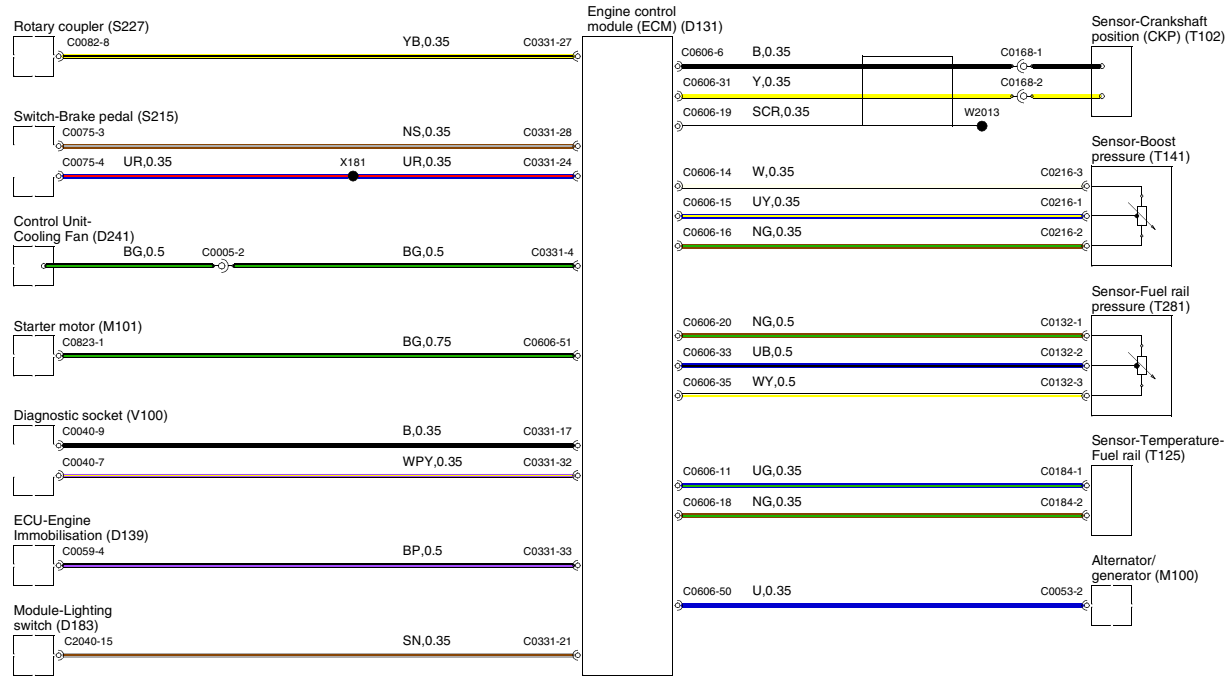


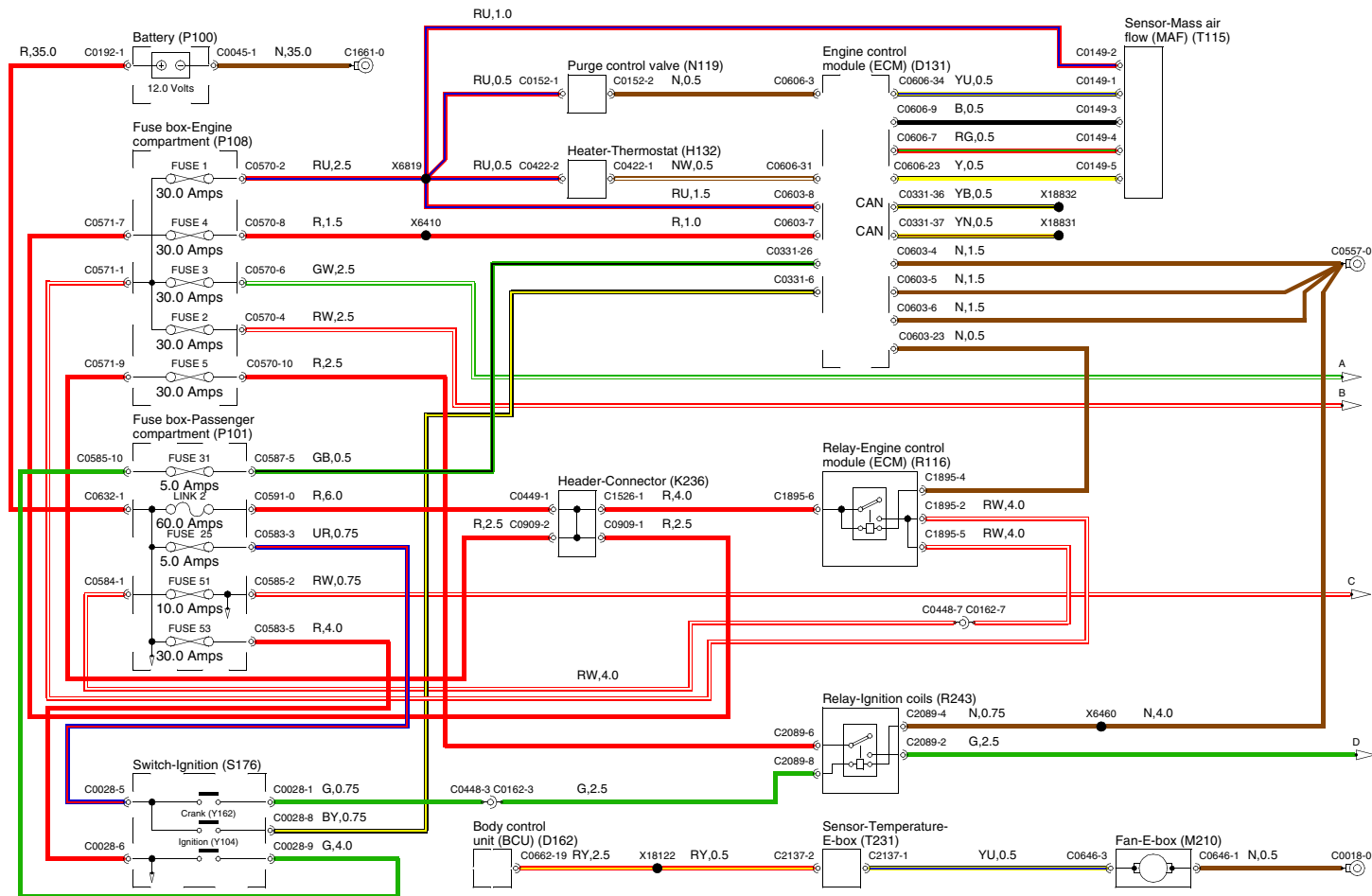


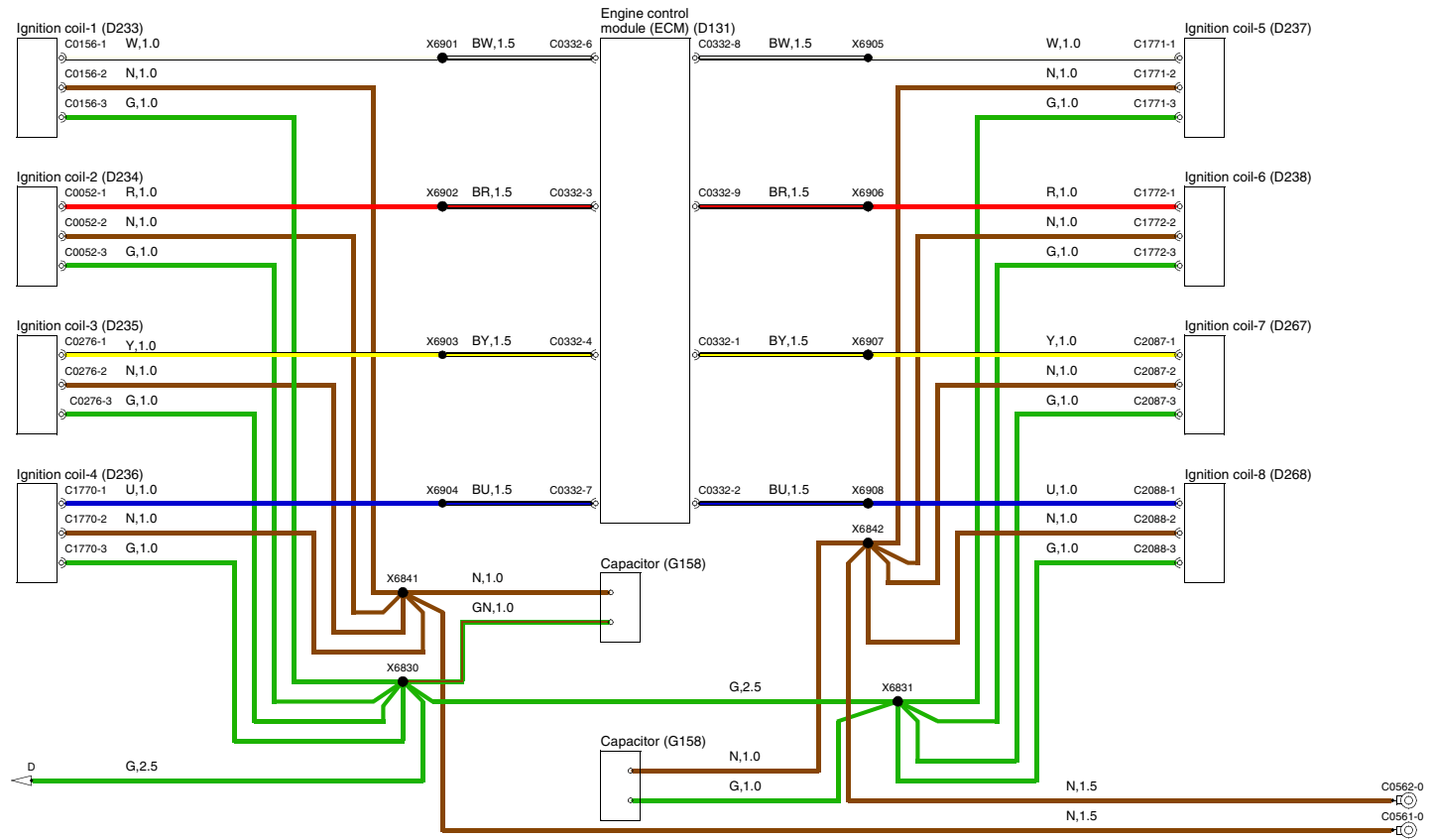


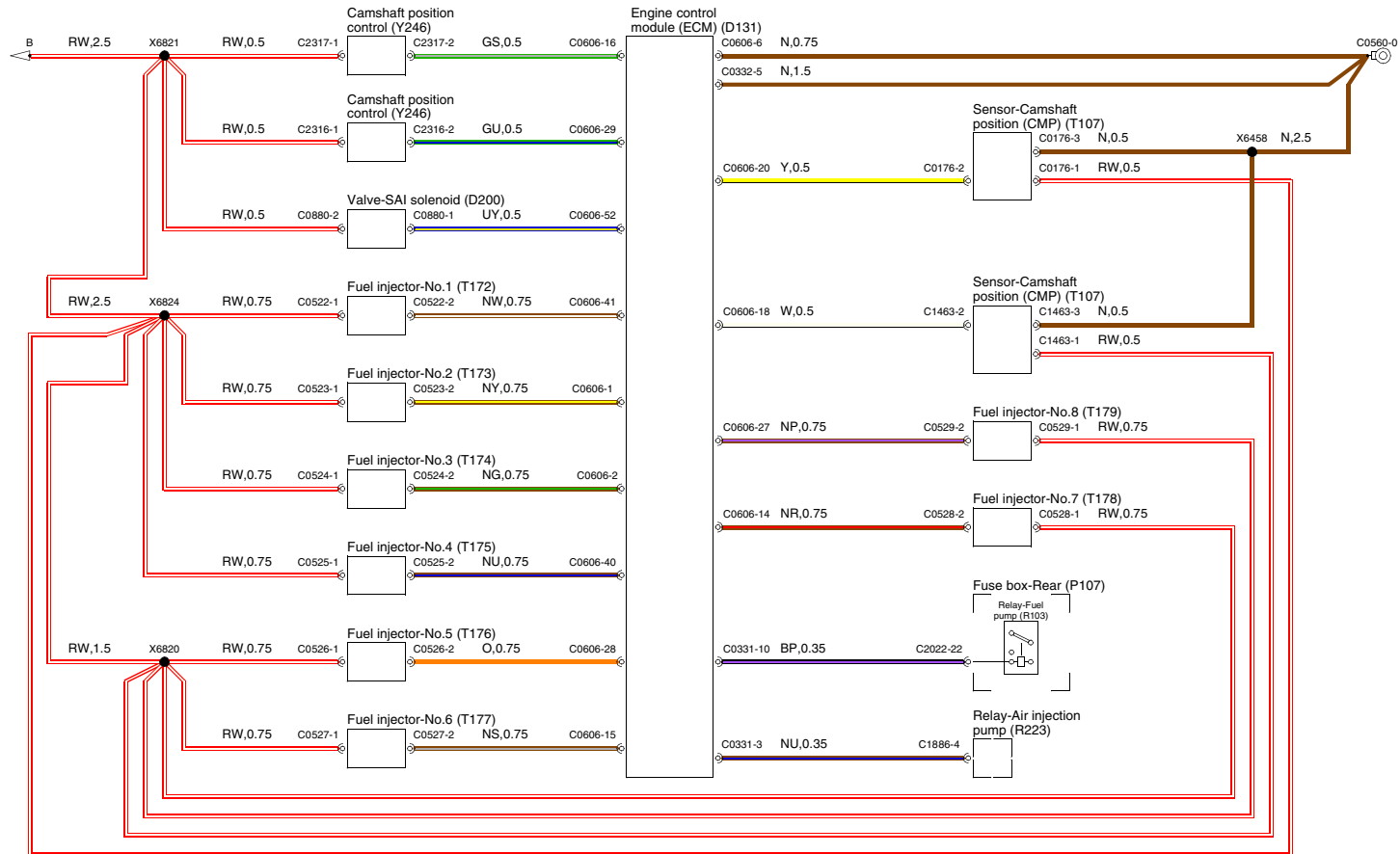


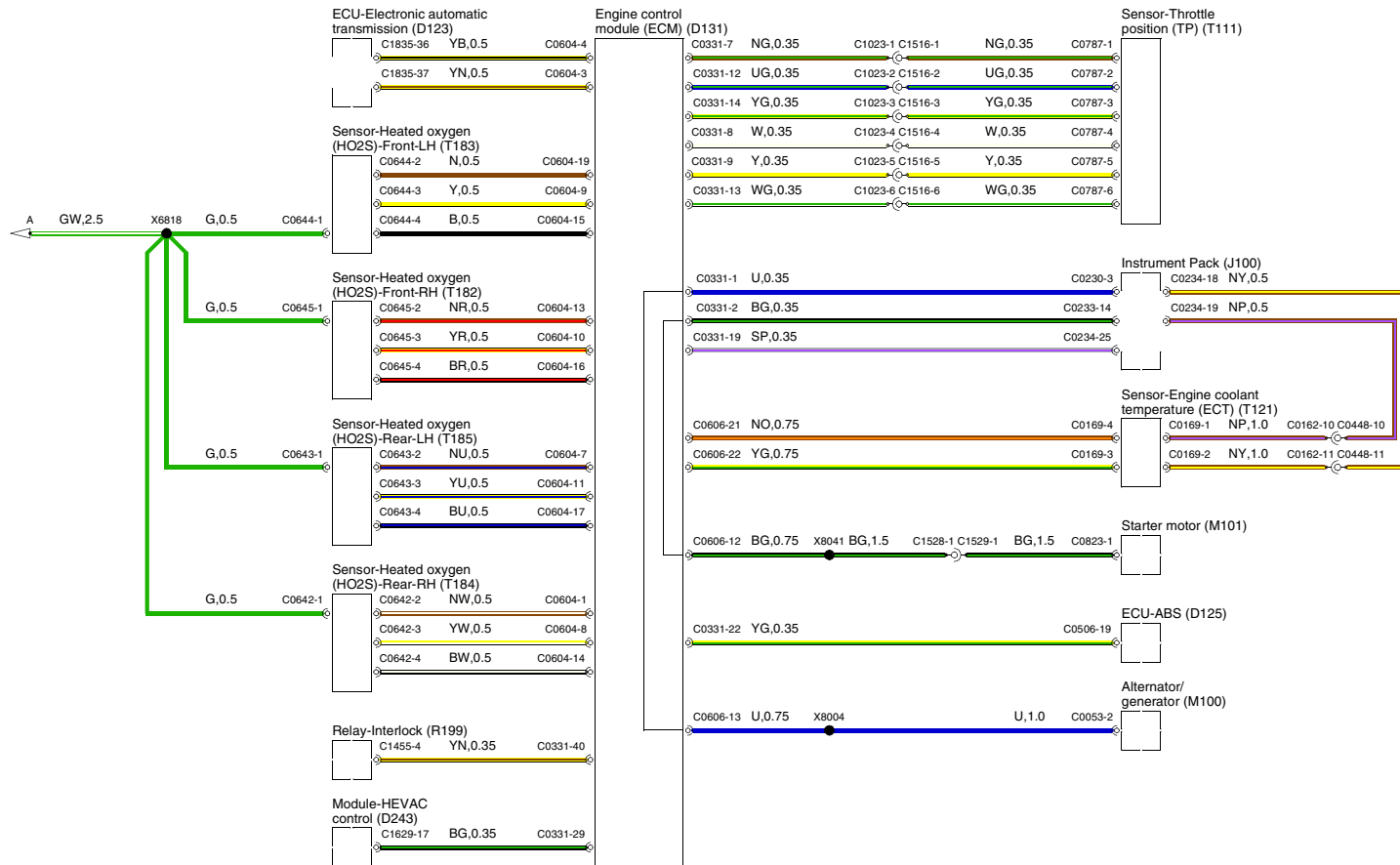


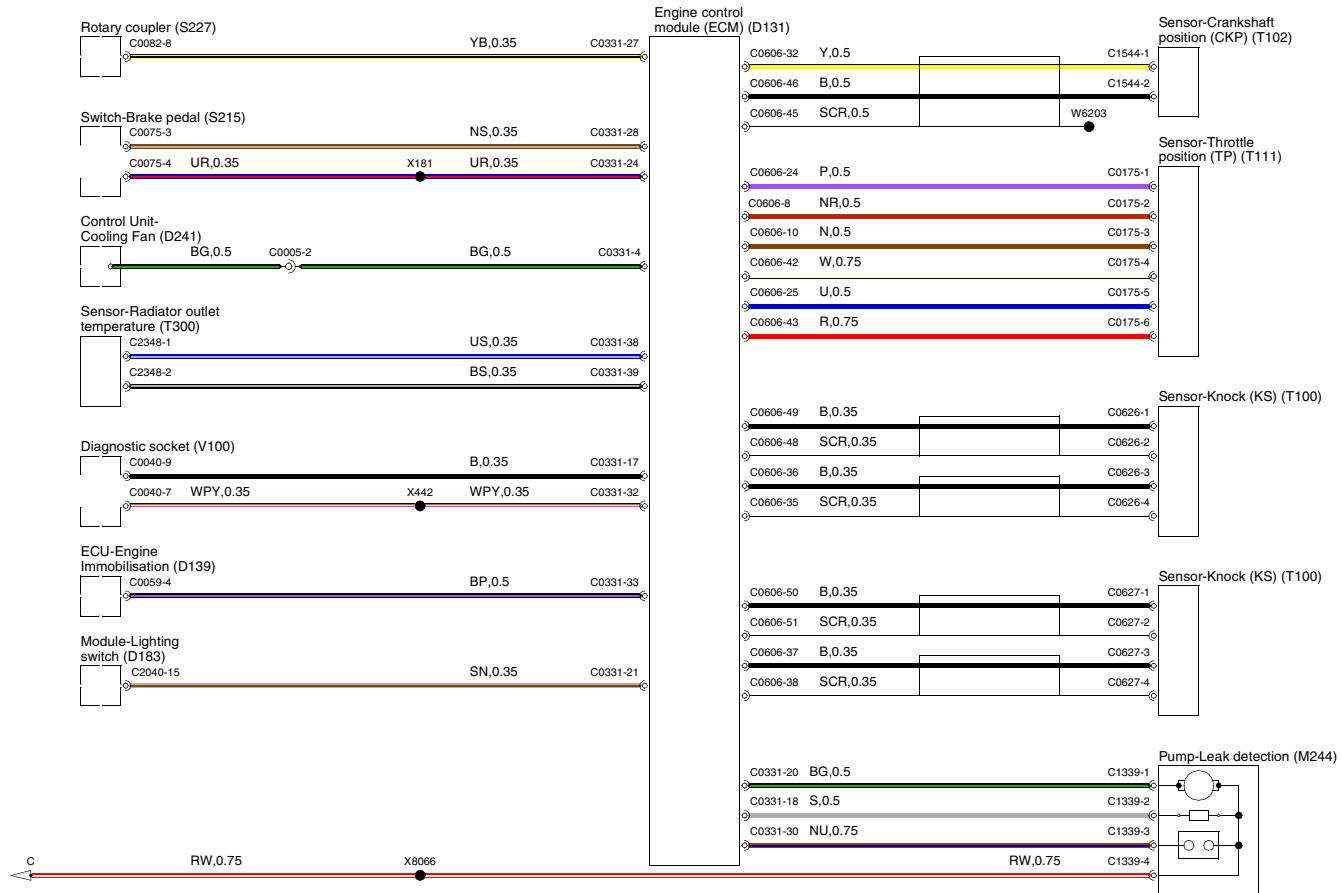




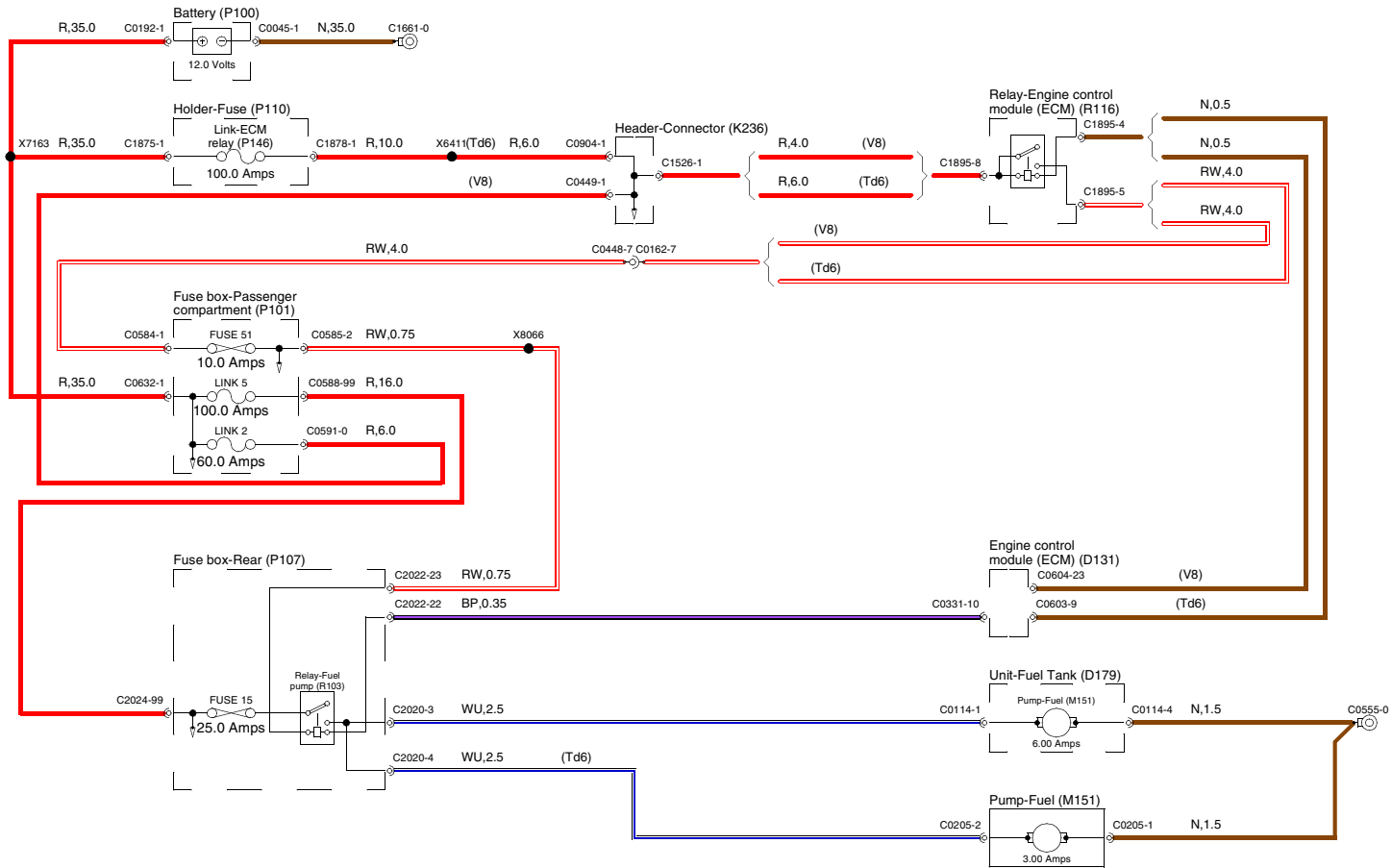




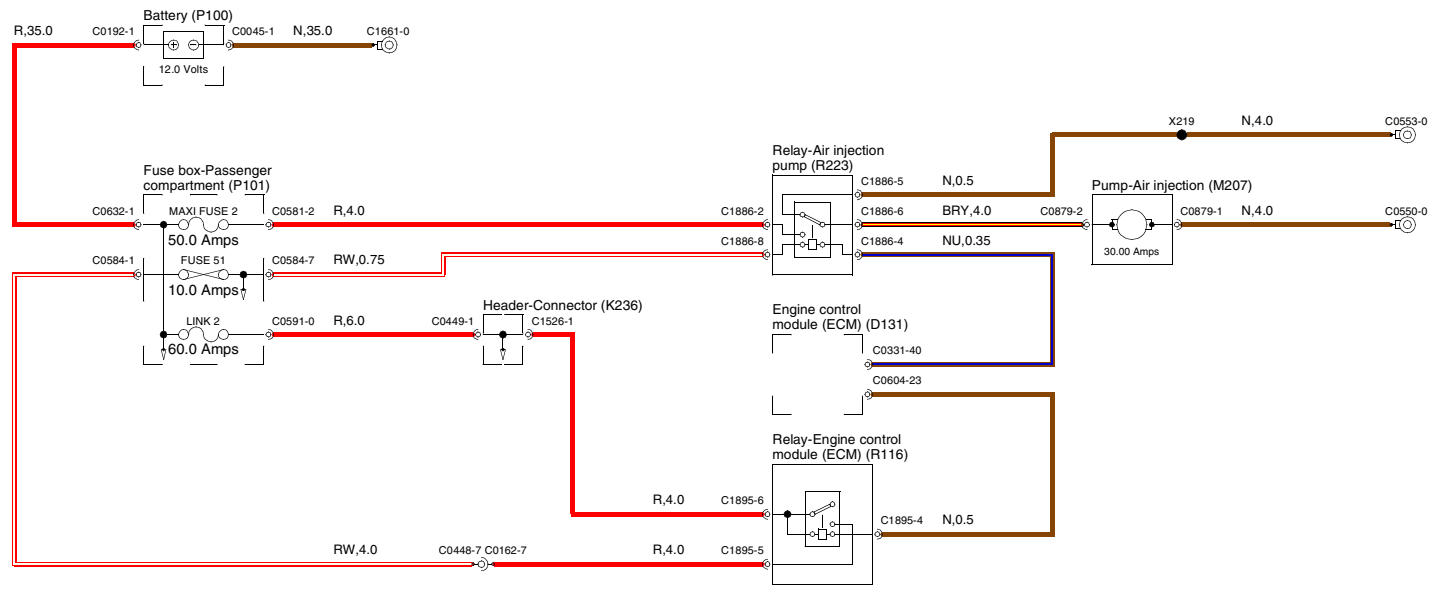




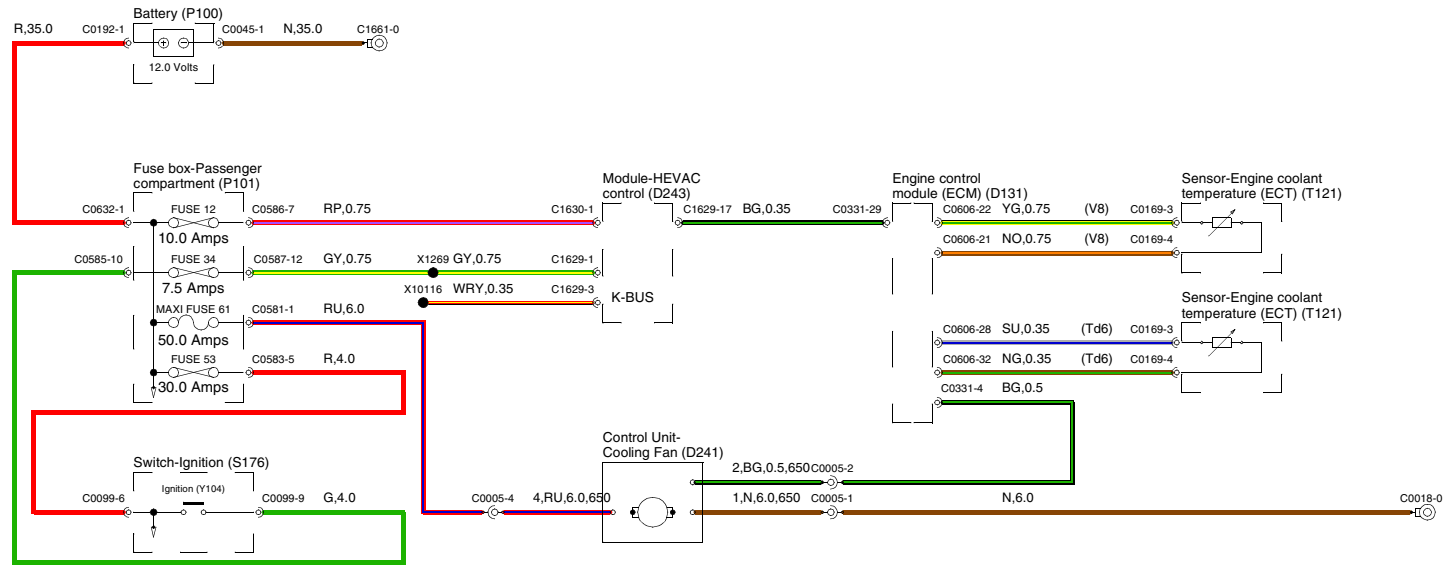
20 FUEL PUMP

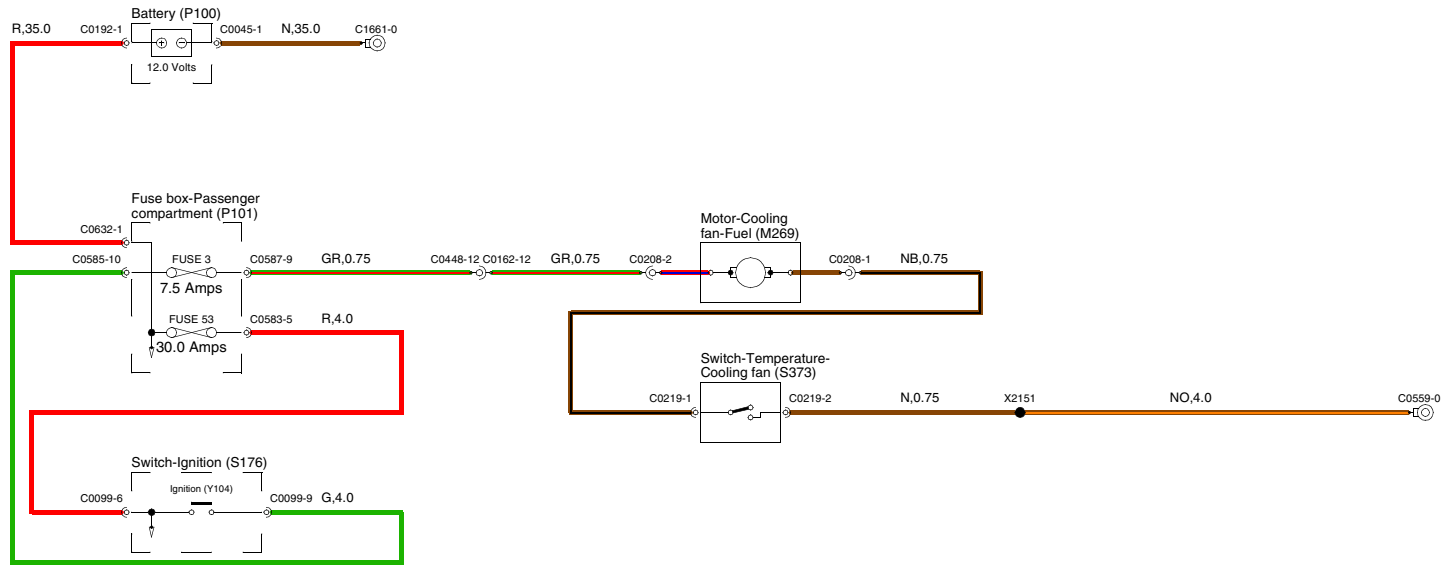


20 SECONDARY AIR INJECTION

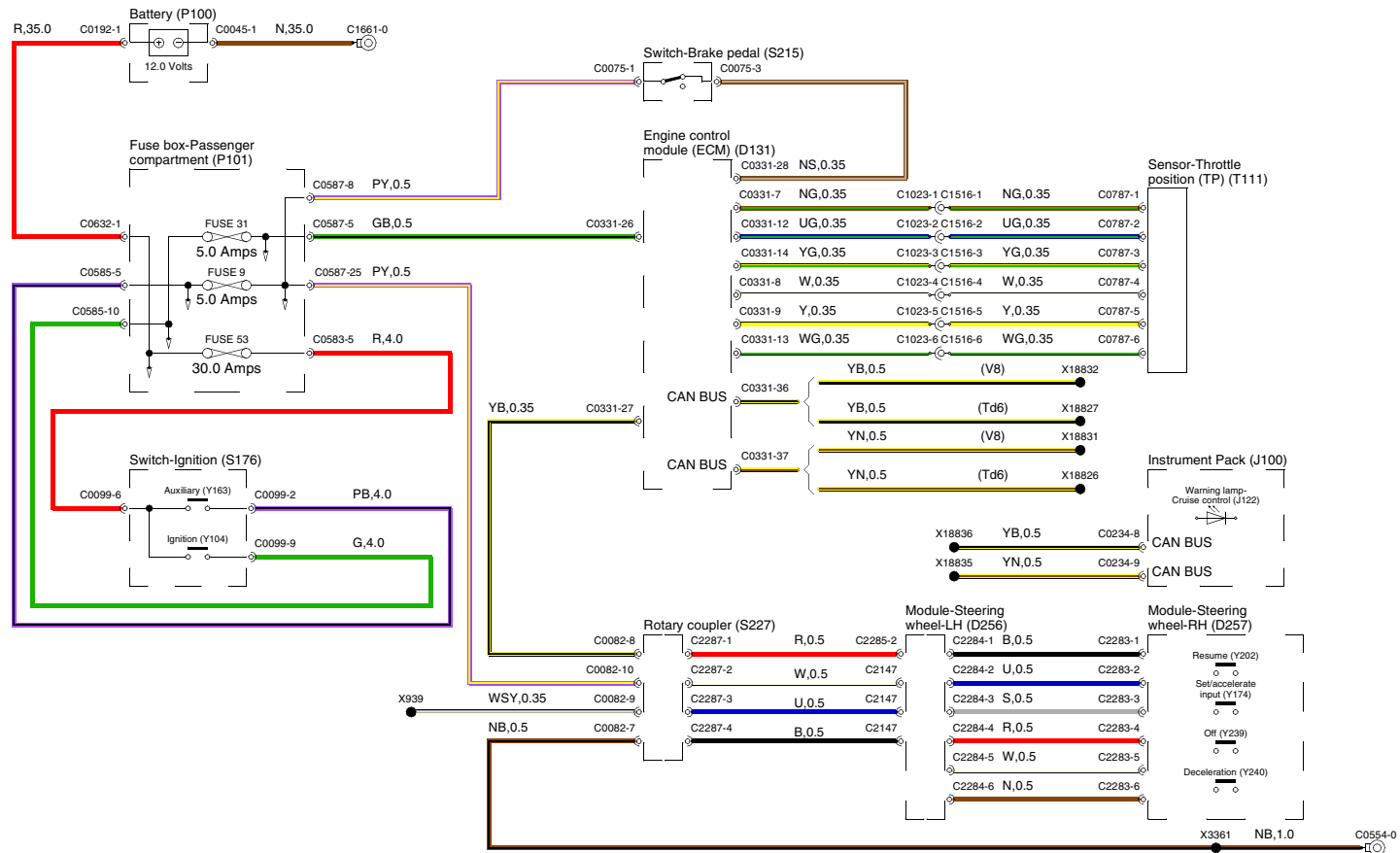


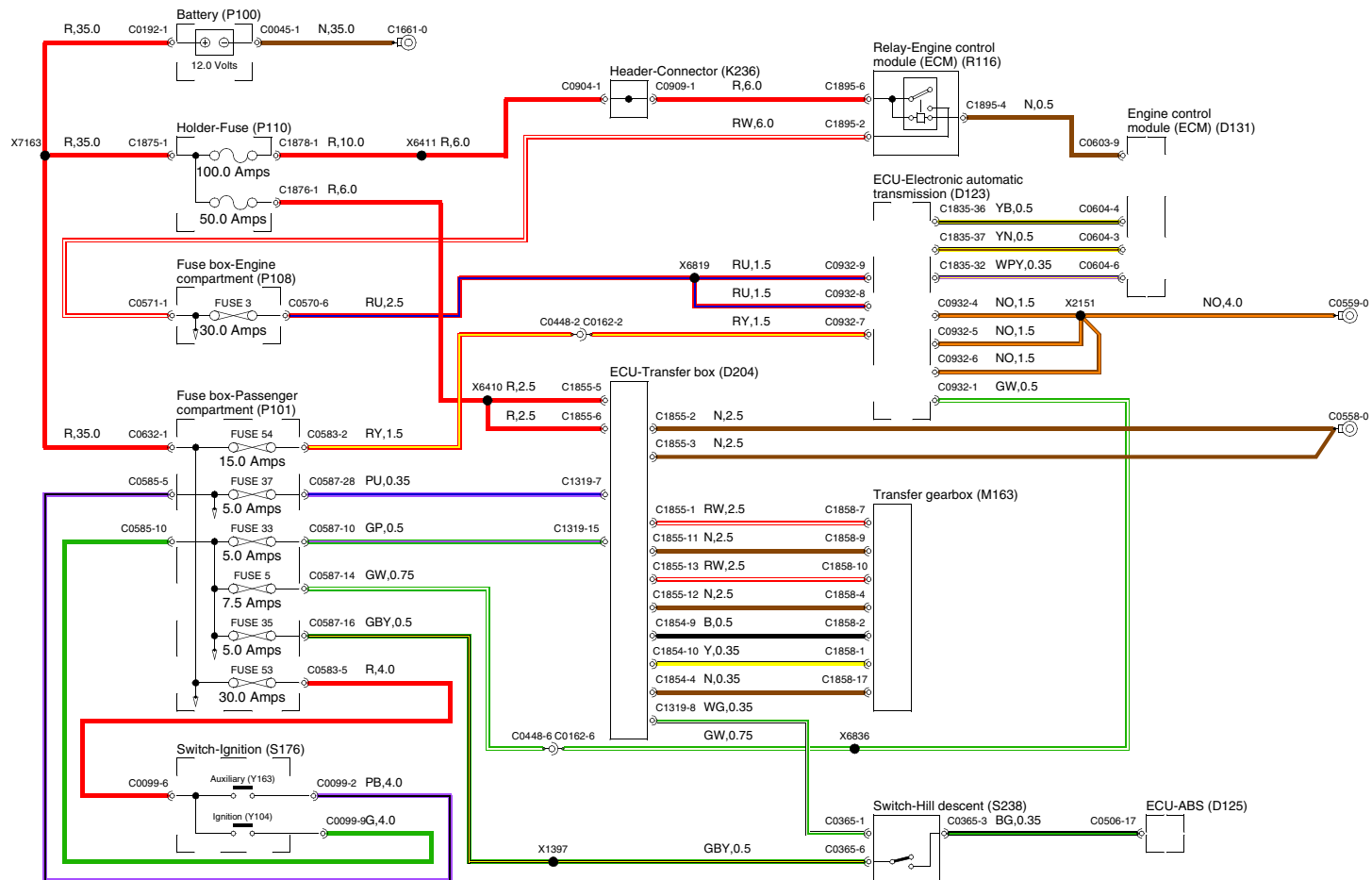
22 COOLING FANS

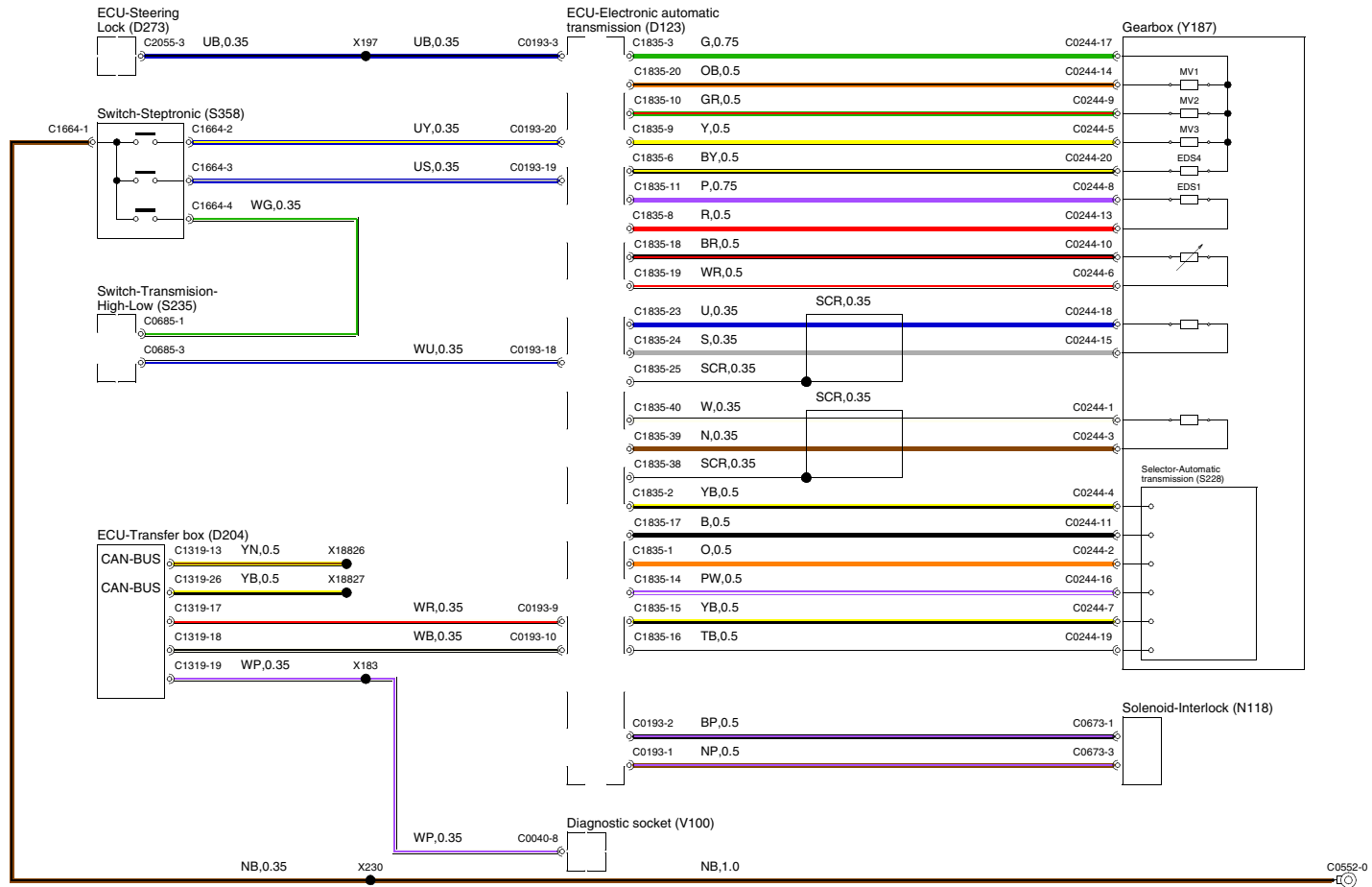


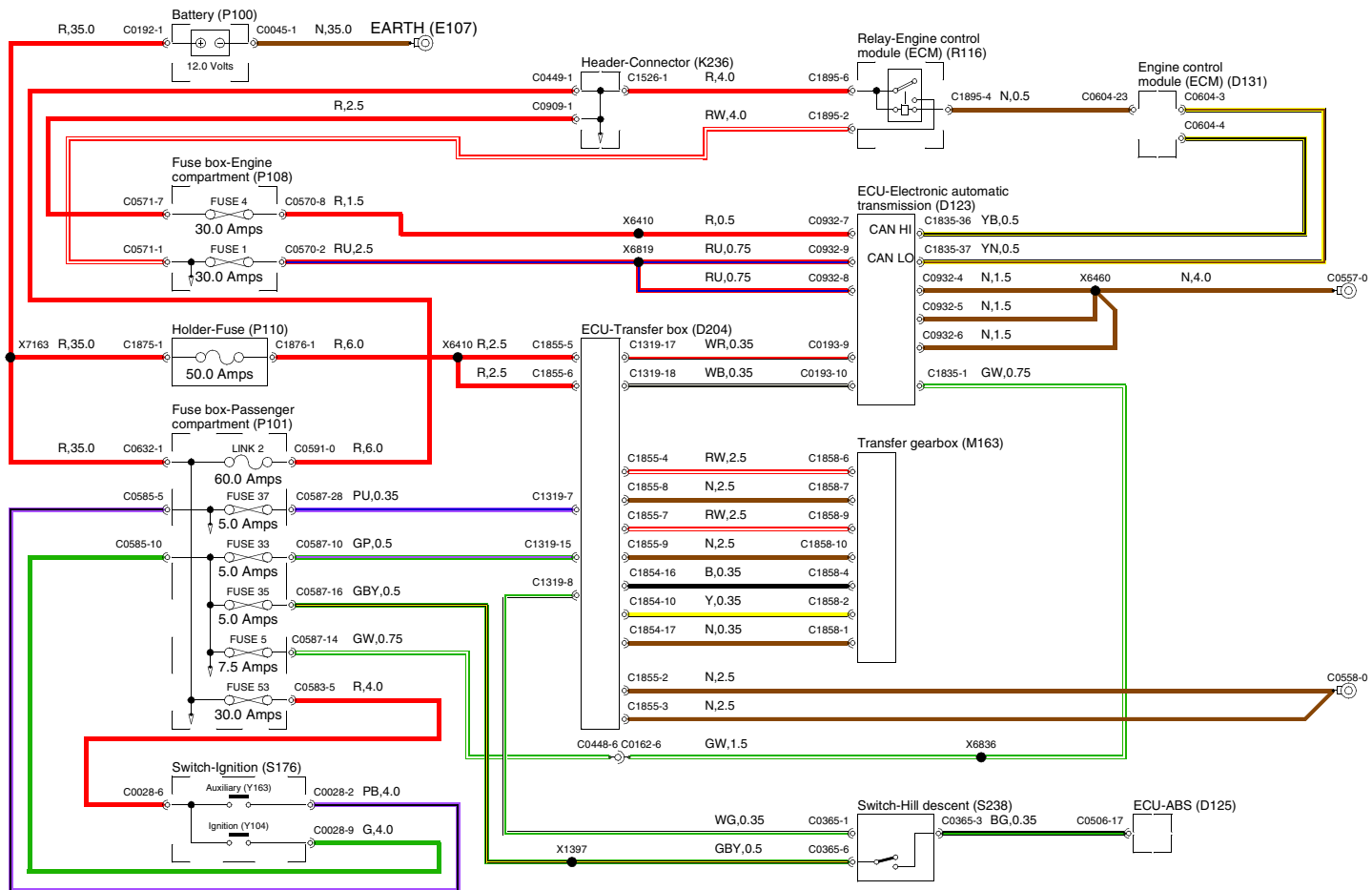


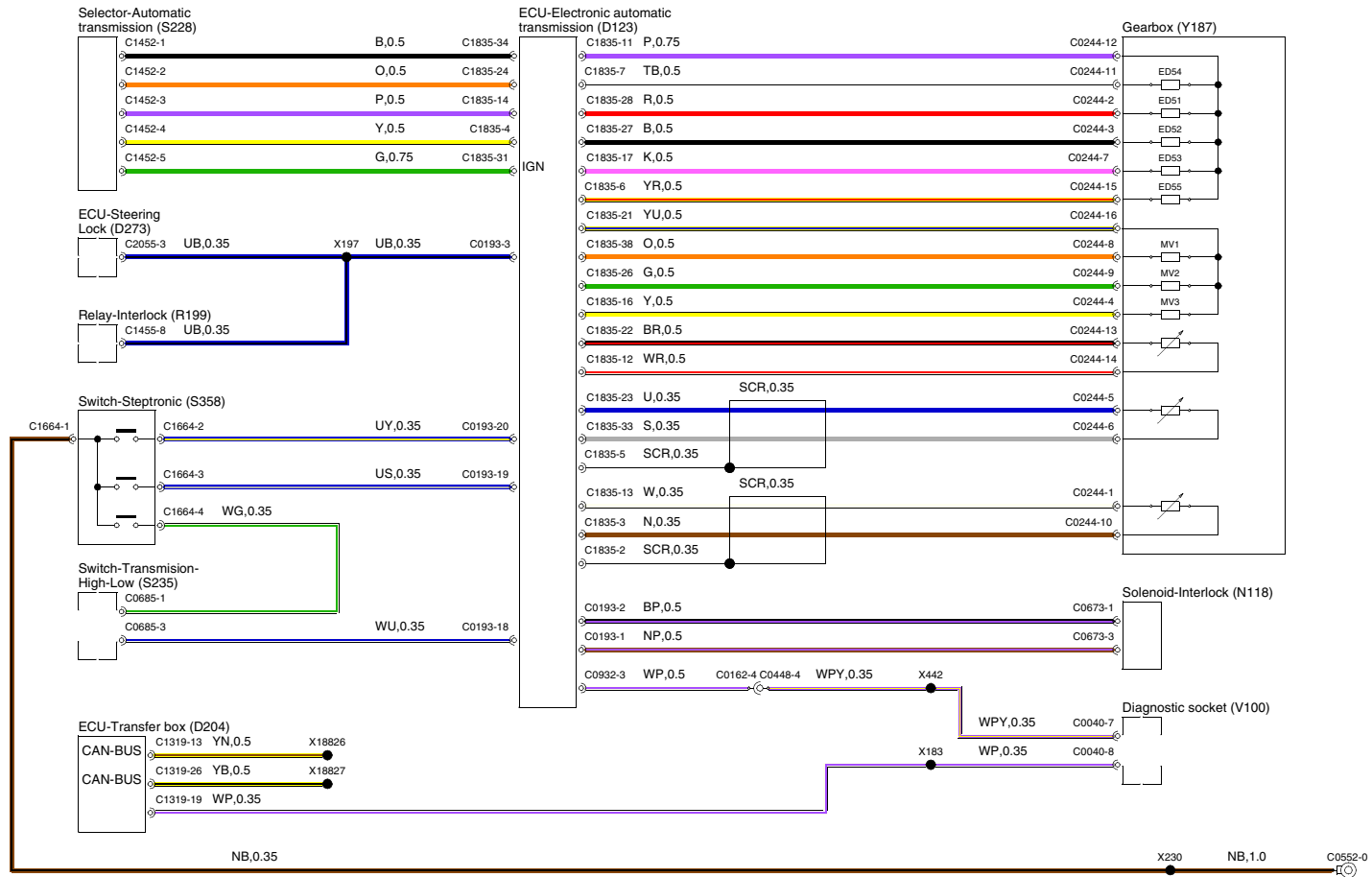
31 CRUISE CONTROL



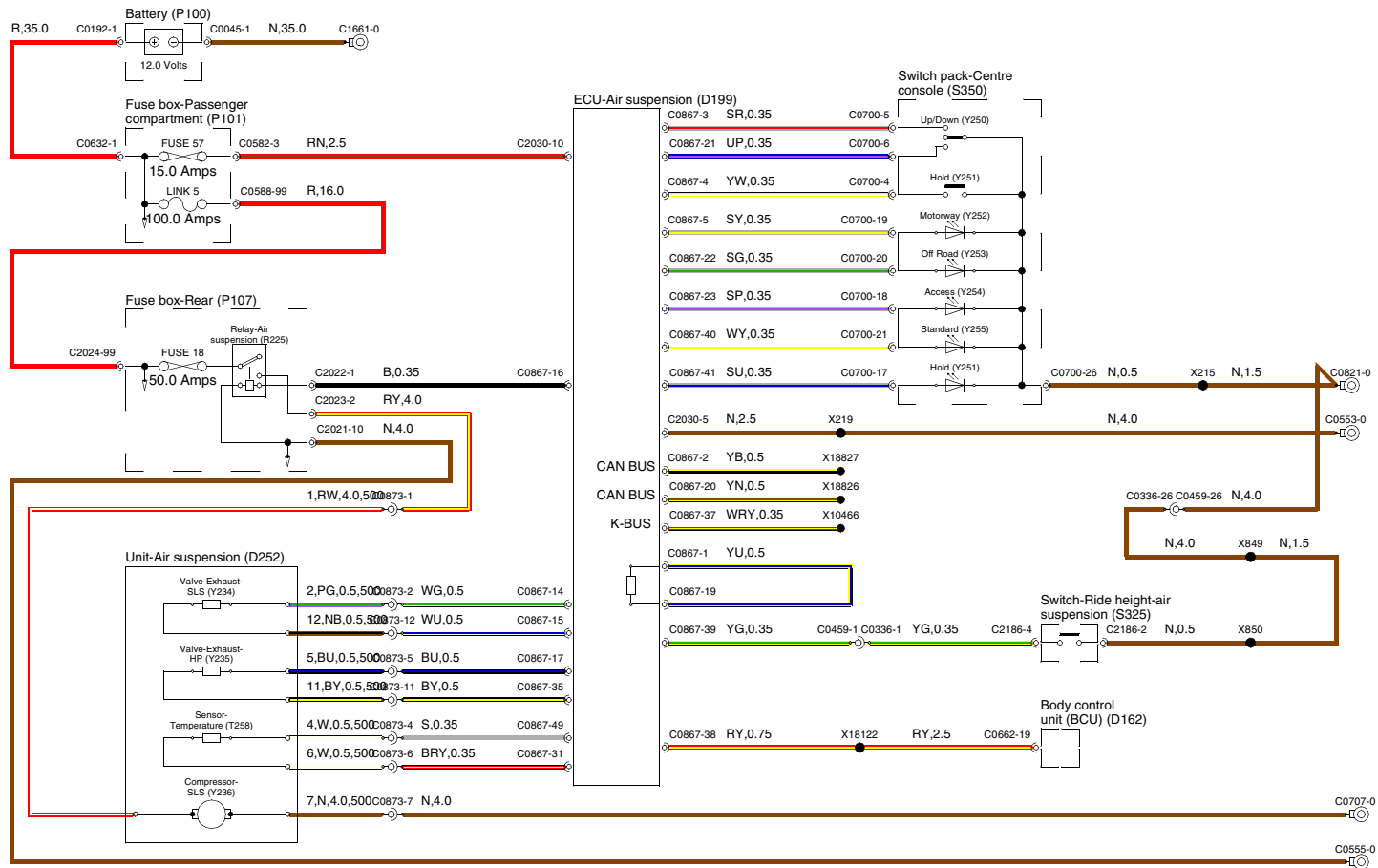


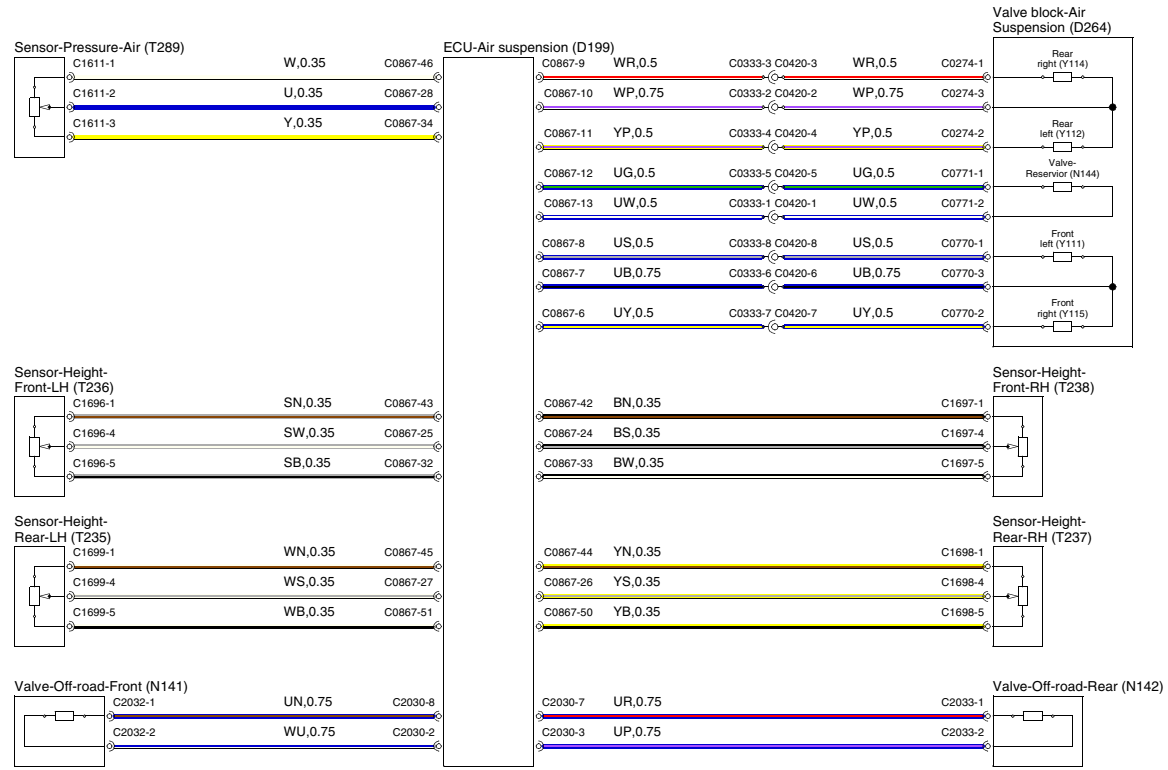




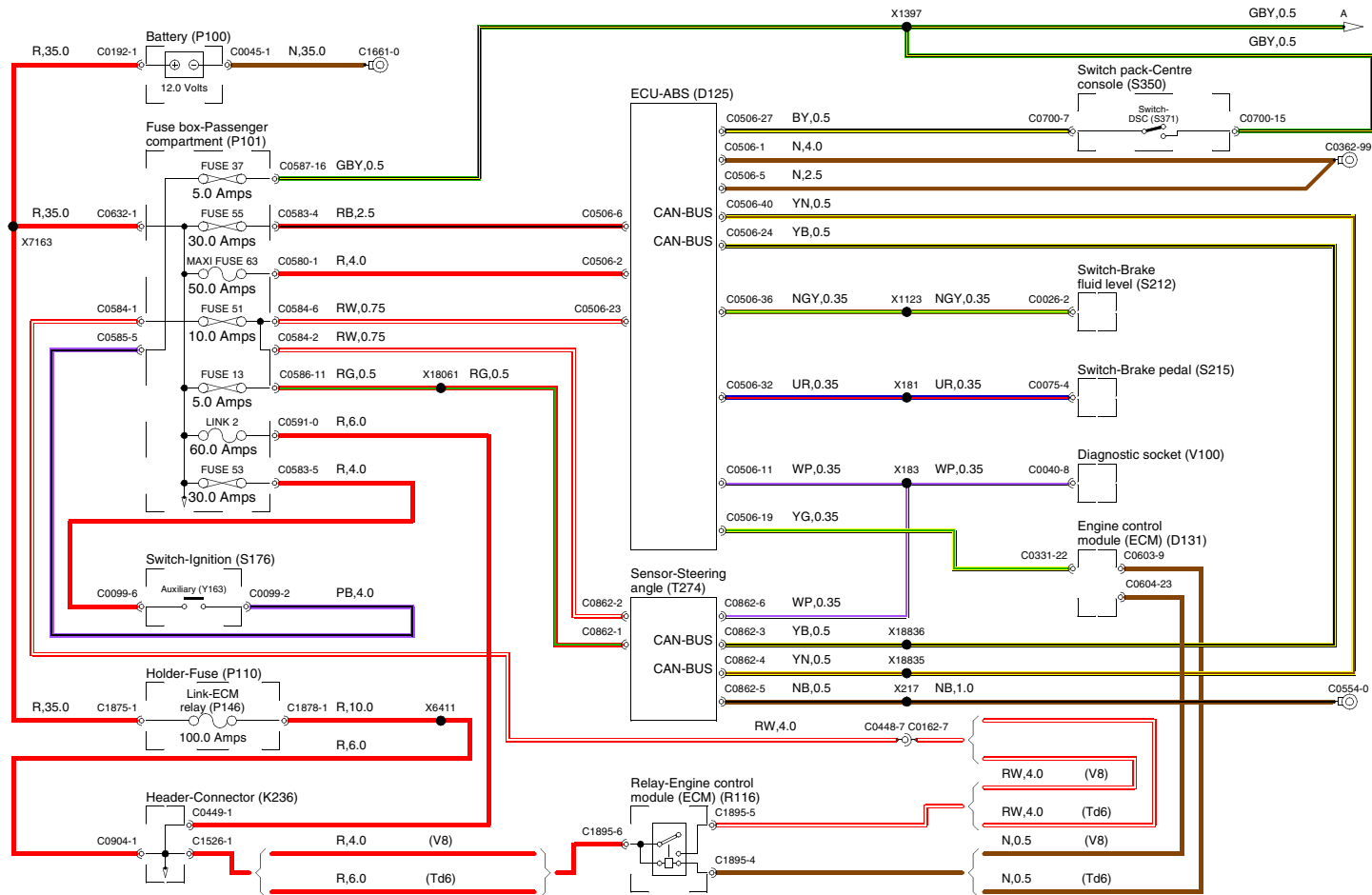


34 AIR SUSPENSION

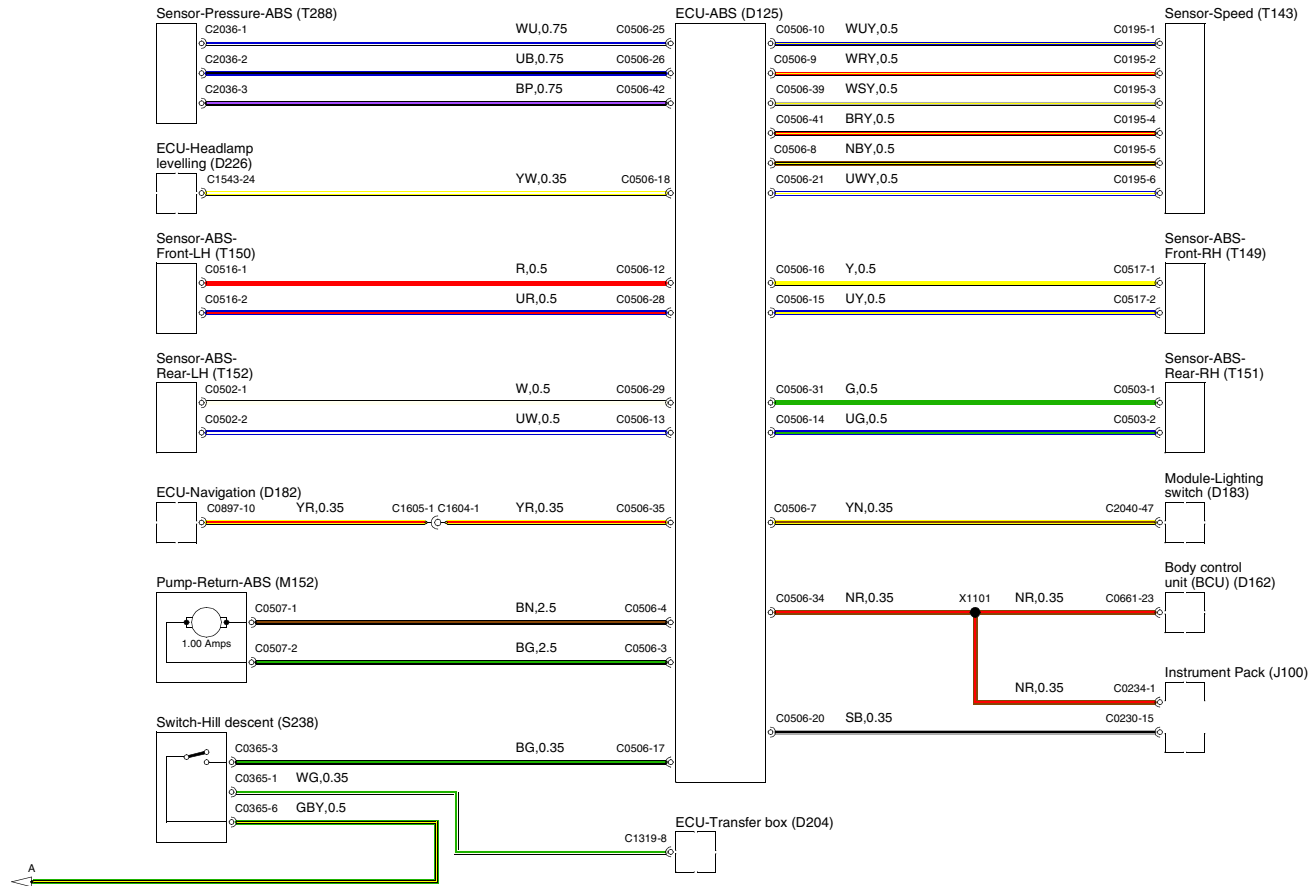




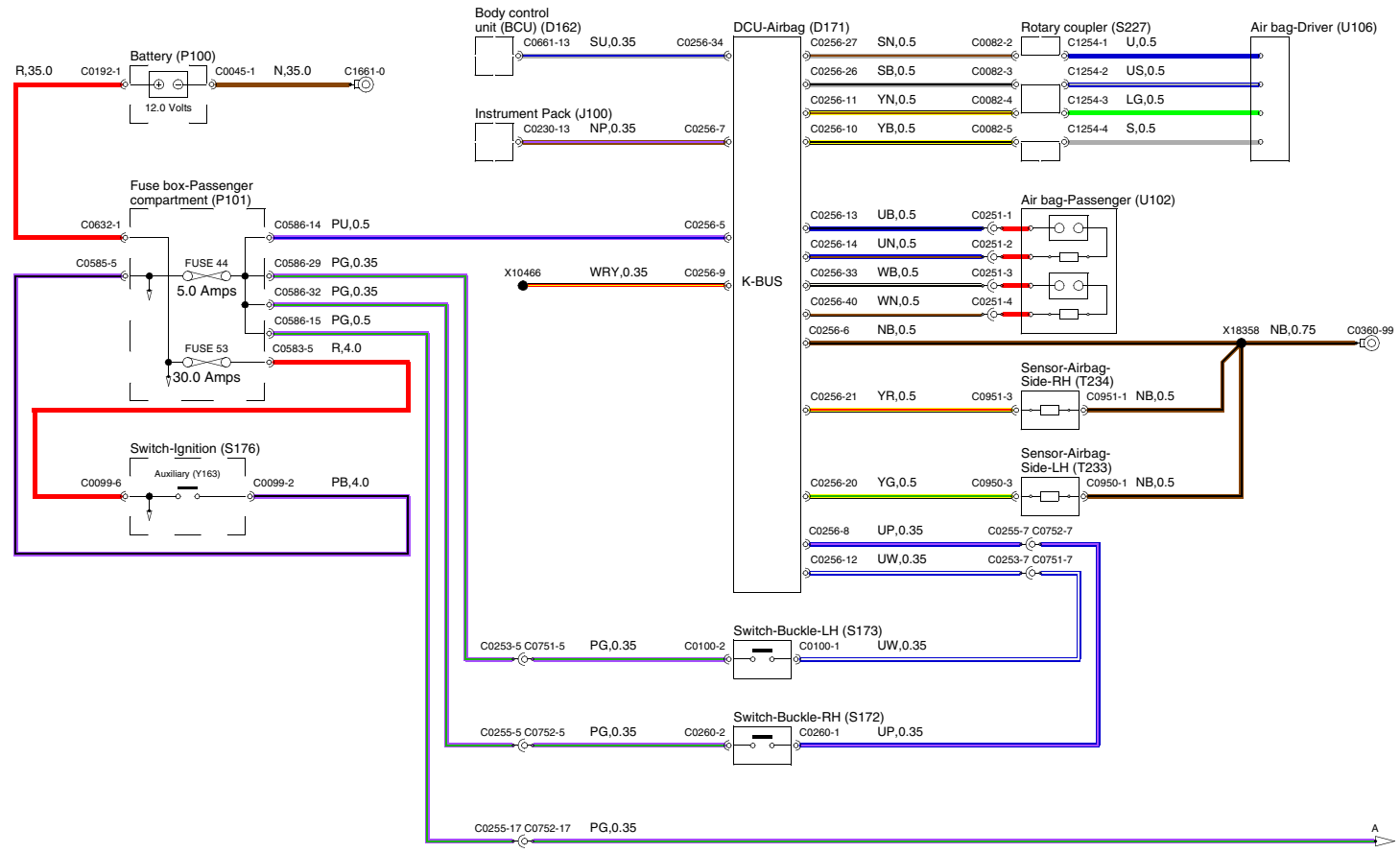
35 ANTI-LOCK BRAKING SYSTEM (ABS)



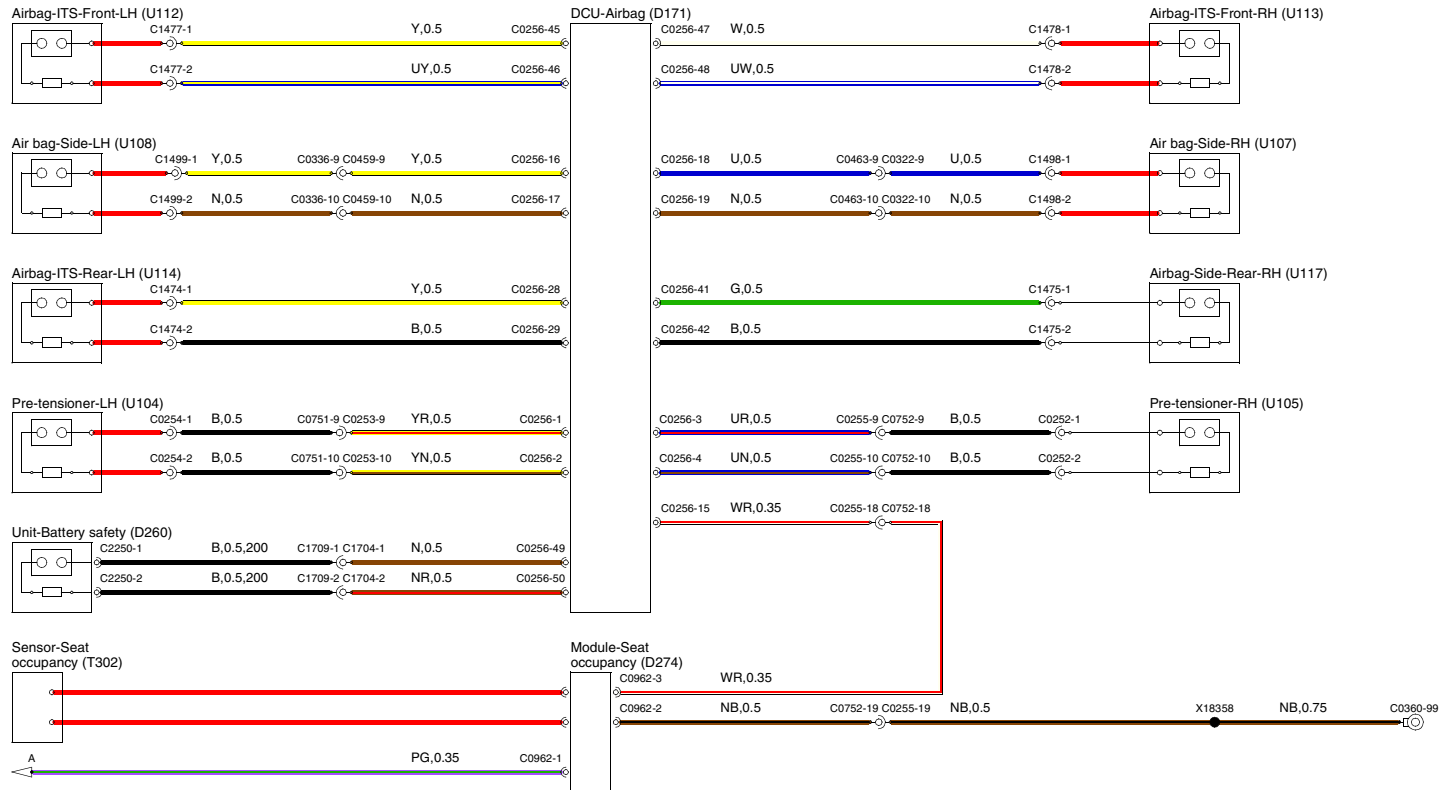
35 ANTI-LOCK BRAKING SYSTEM (ABS)

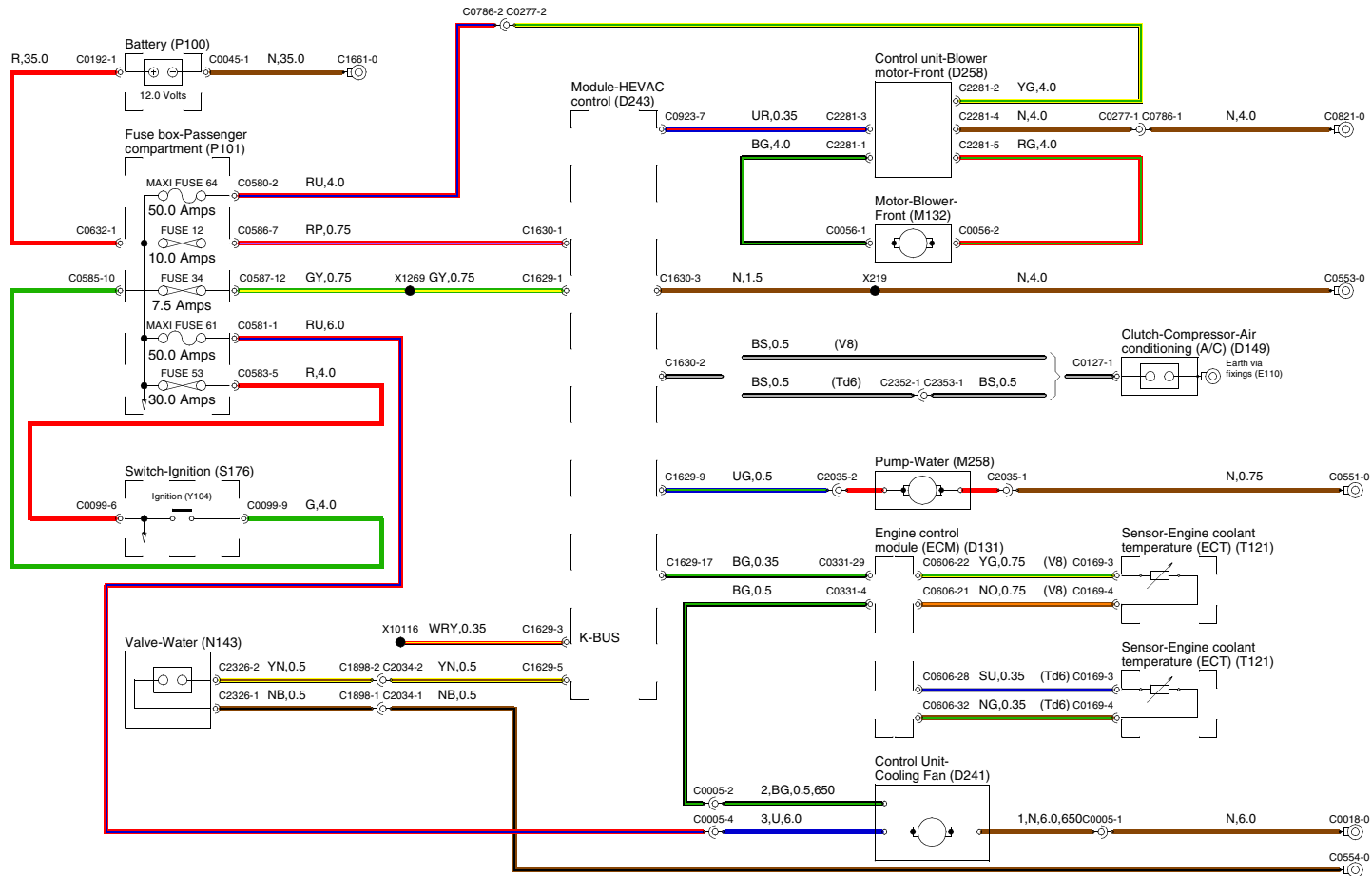


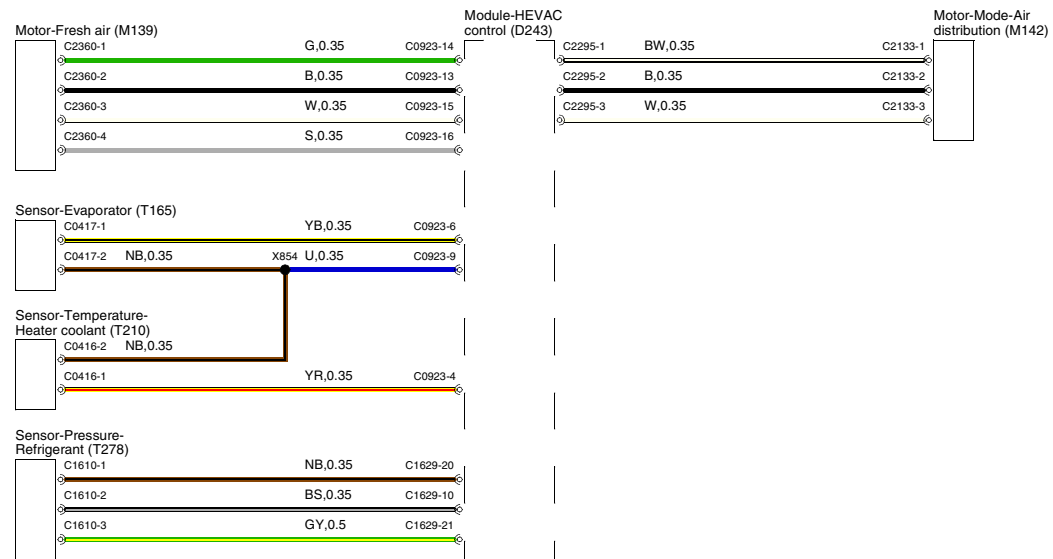
36 SUPPLEMENTARY RESTRAINT SYSTEM (SRS)

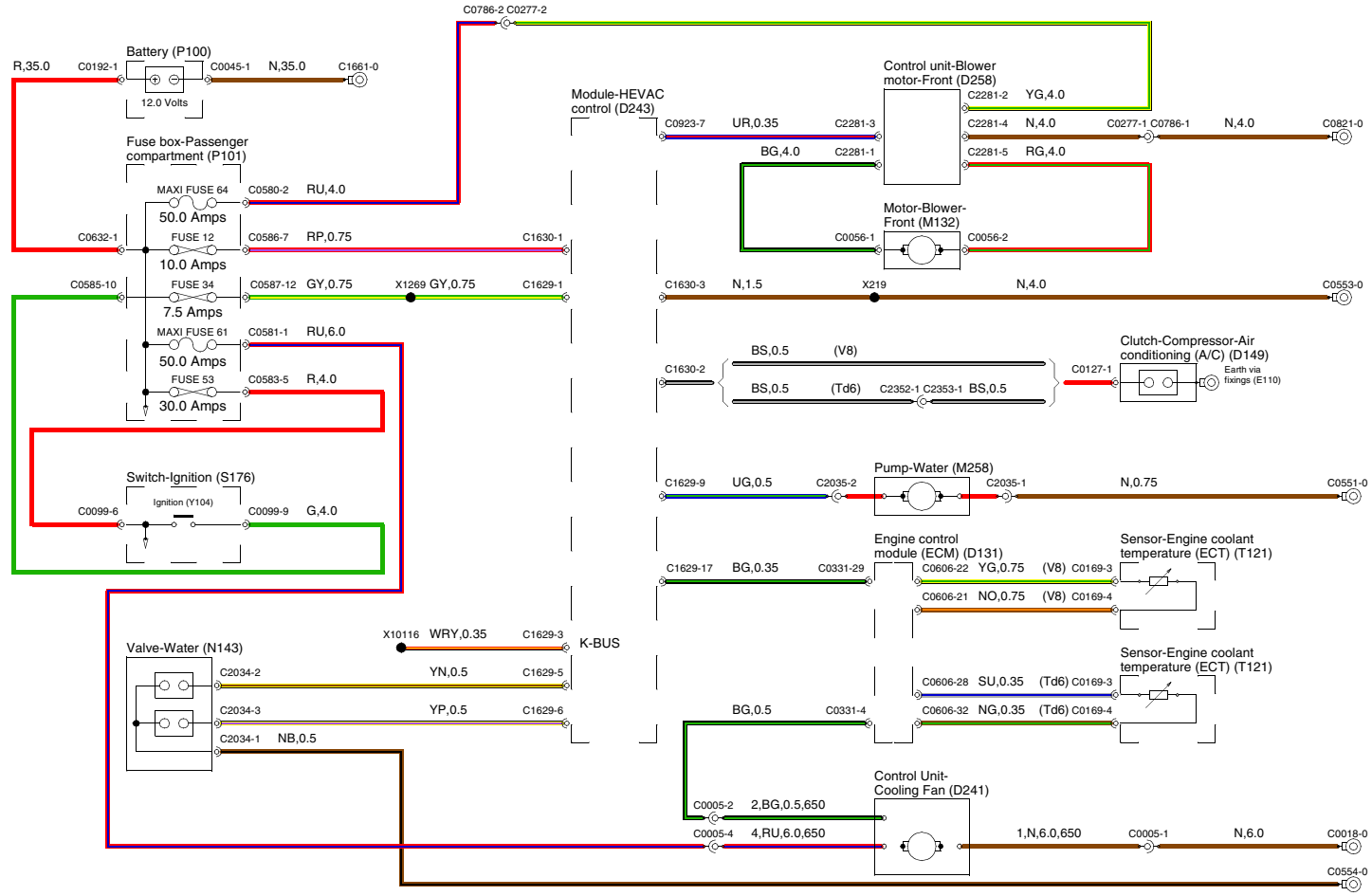


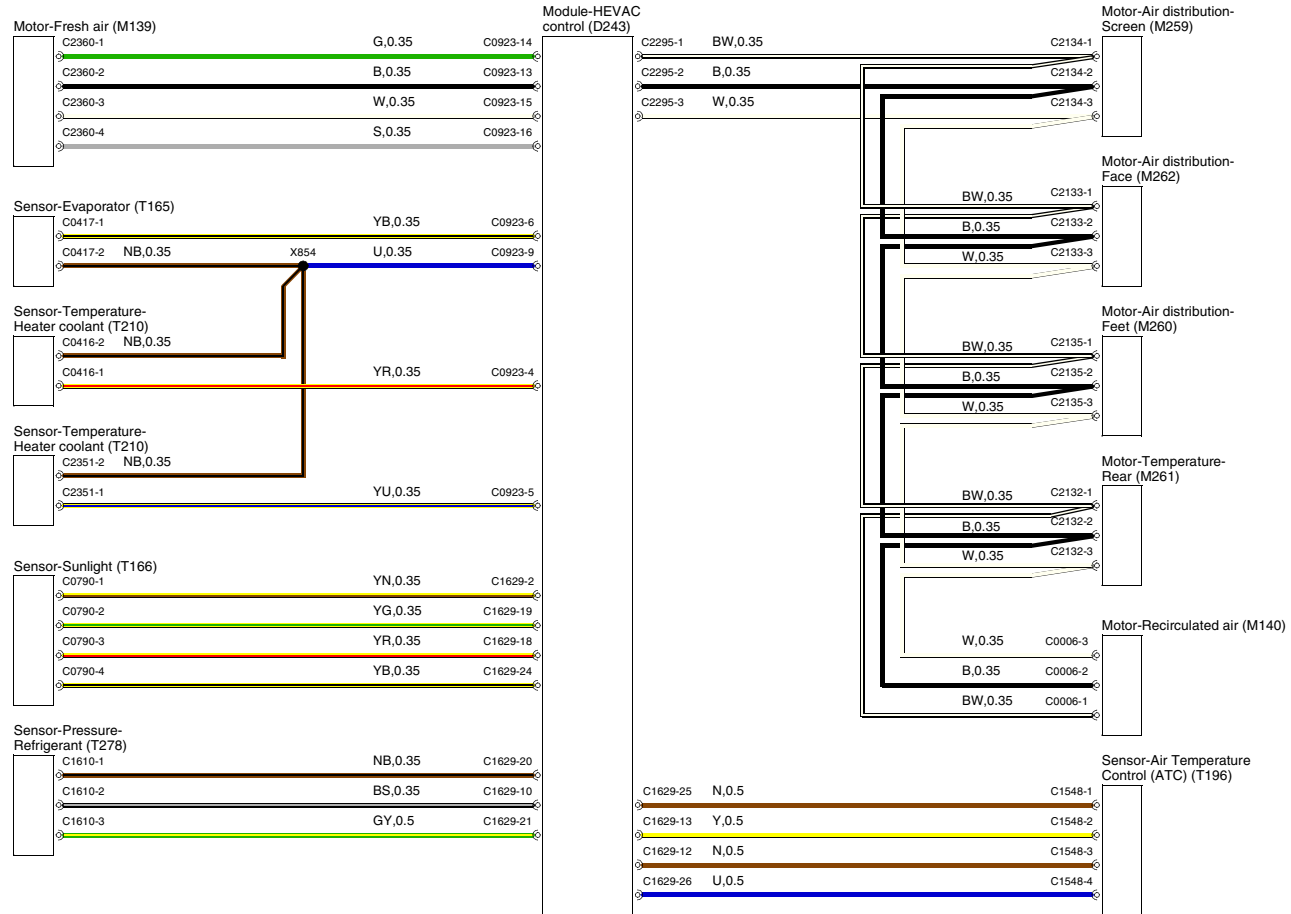
36 SUPPLEMENTARY RESTRAINT SYSTEM (SRS)

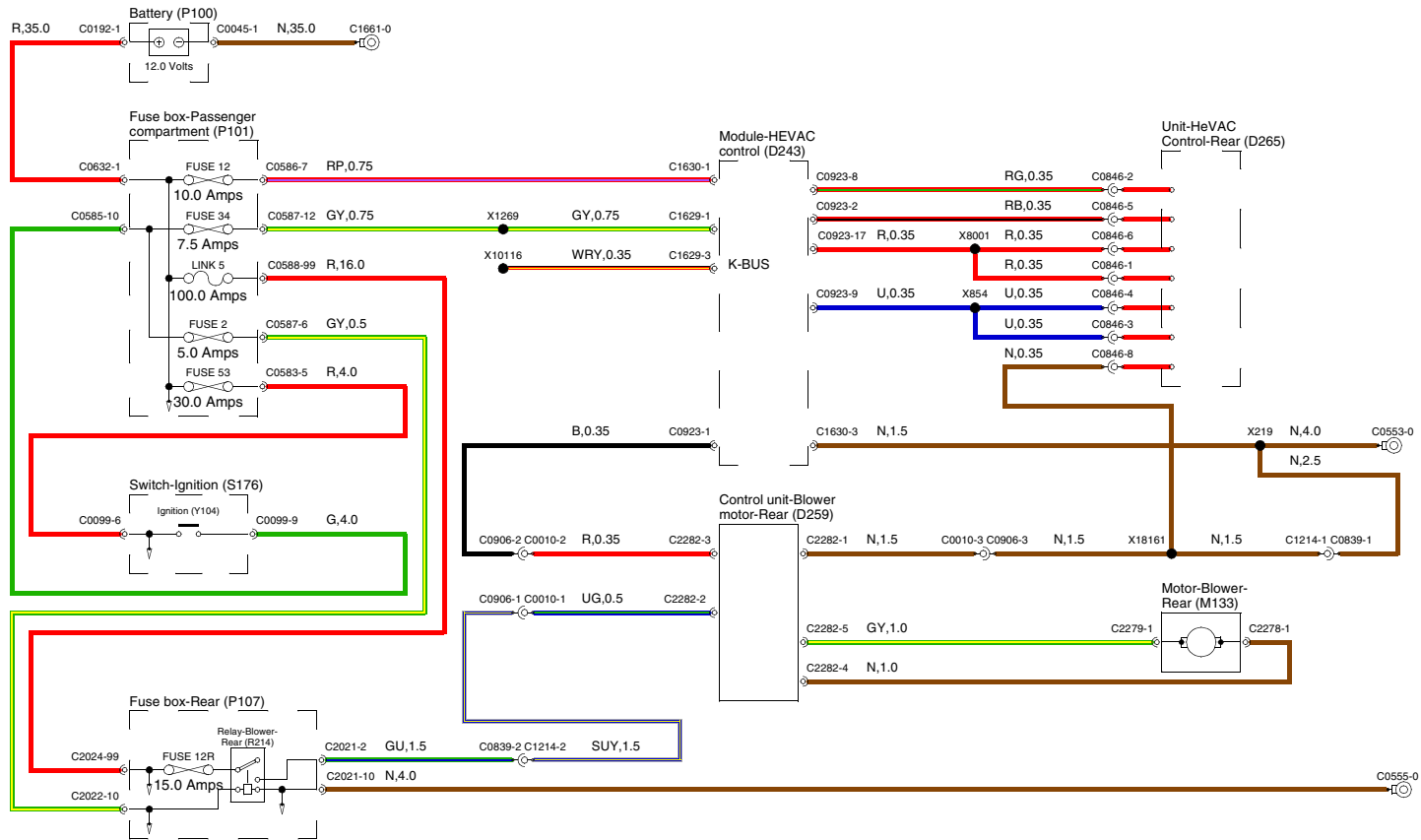


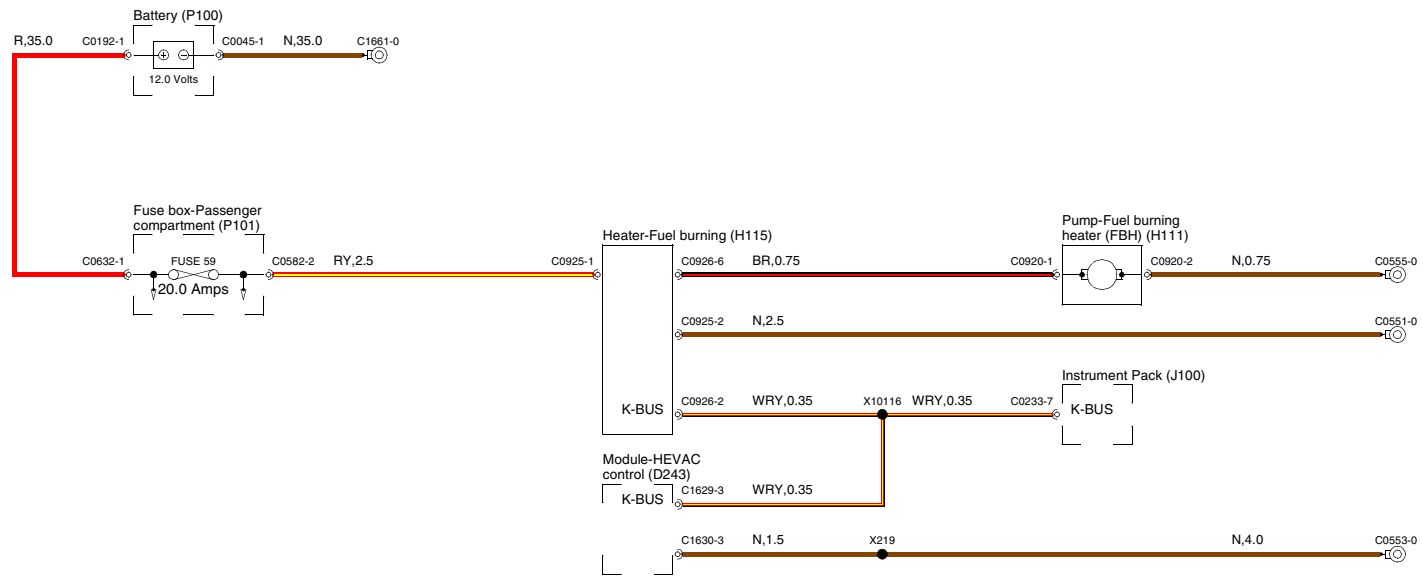


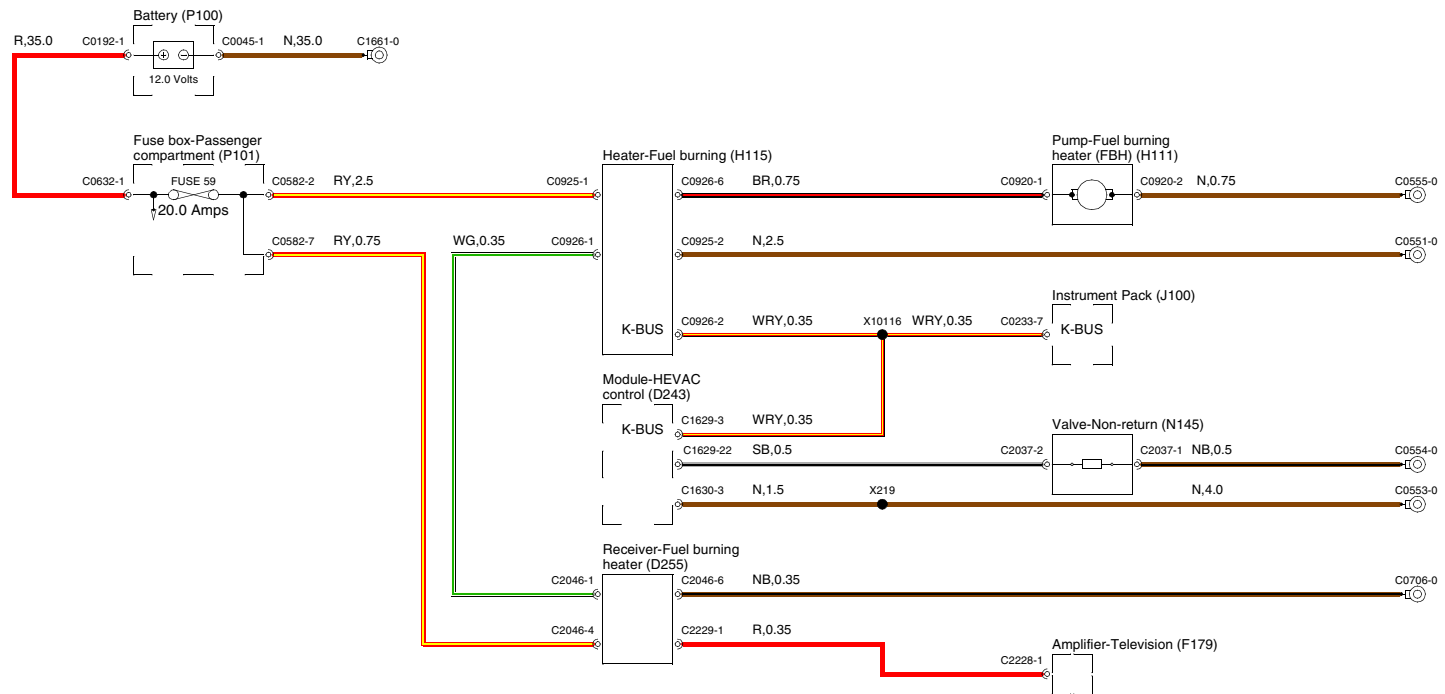




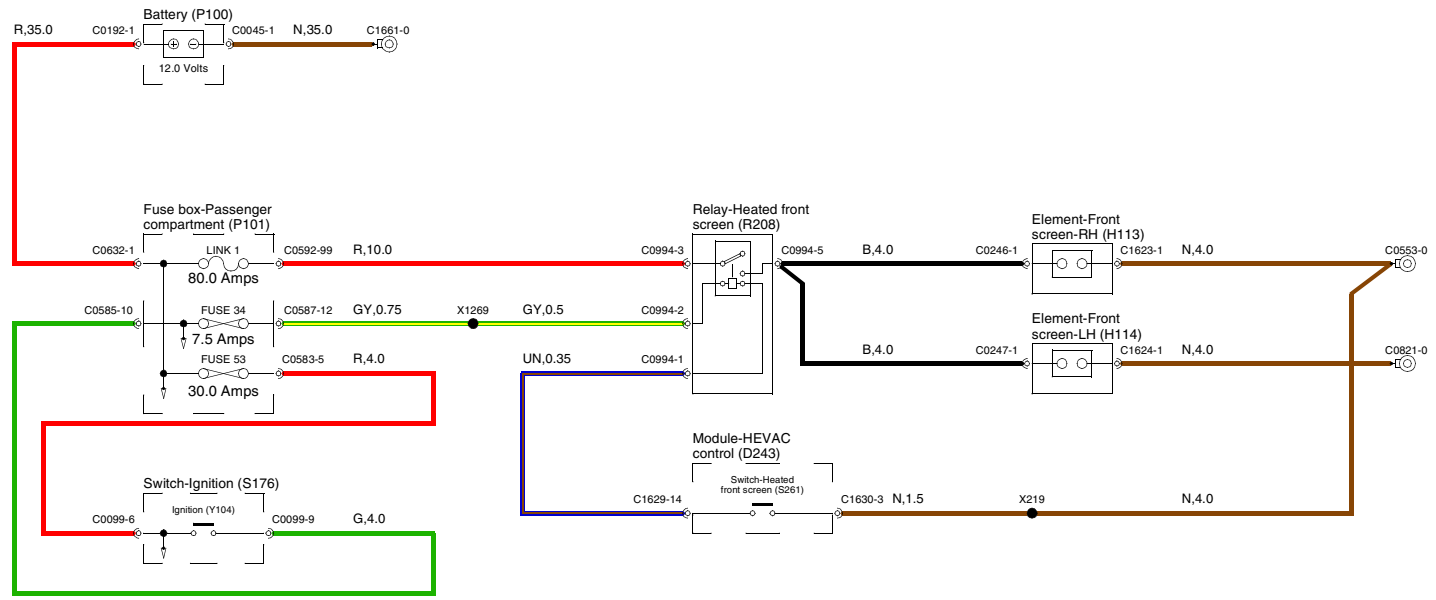




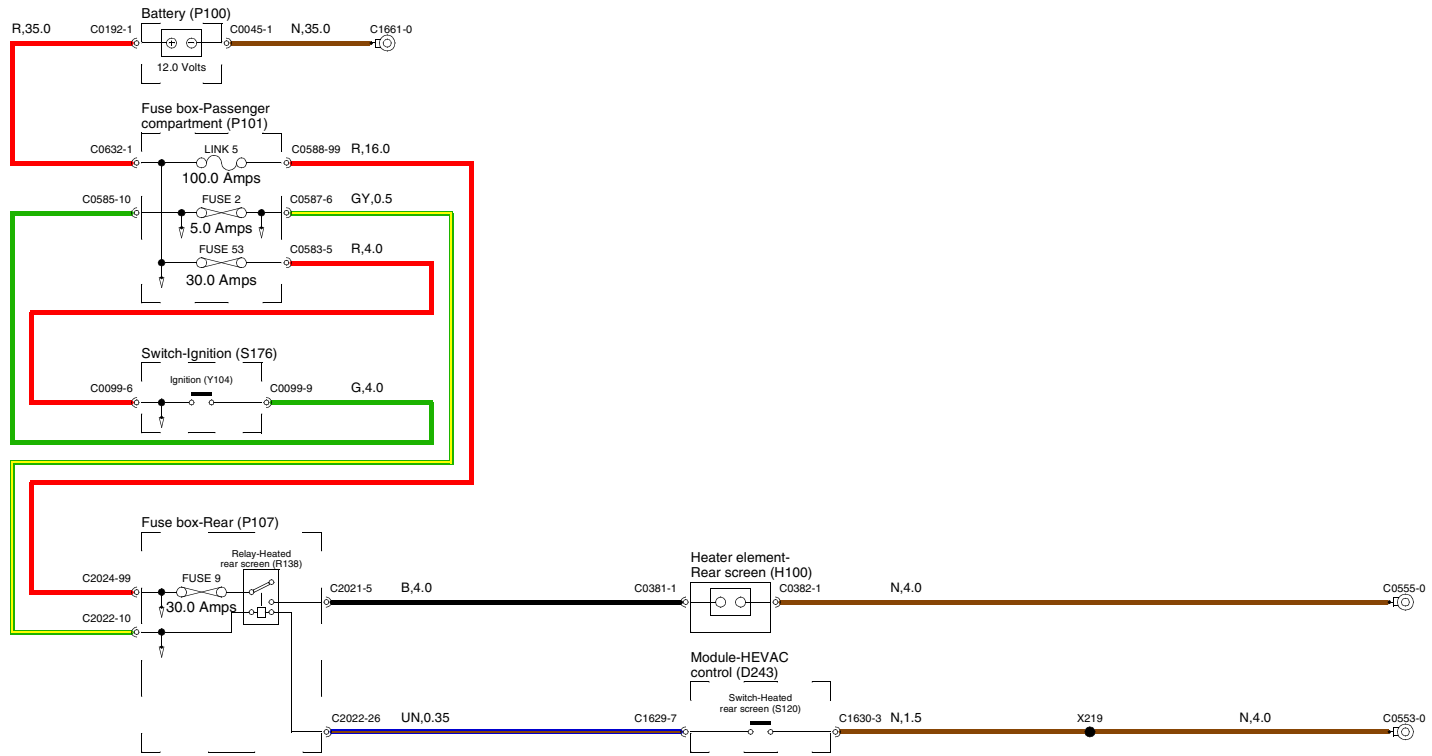


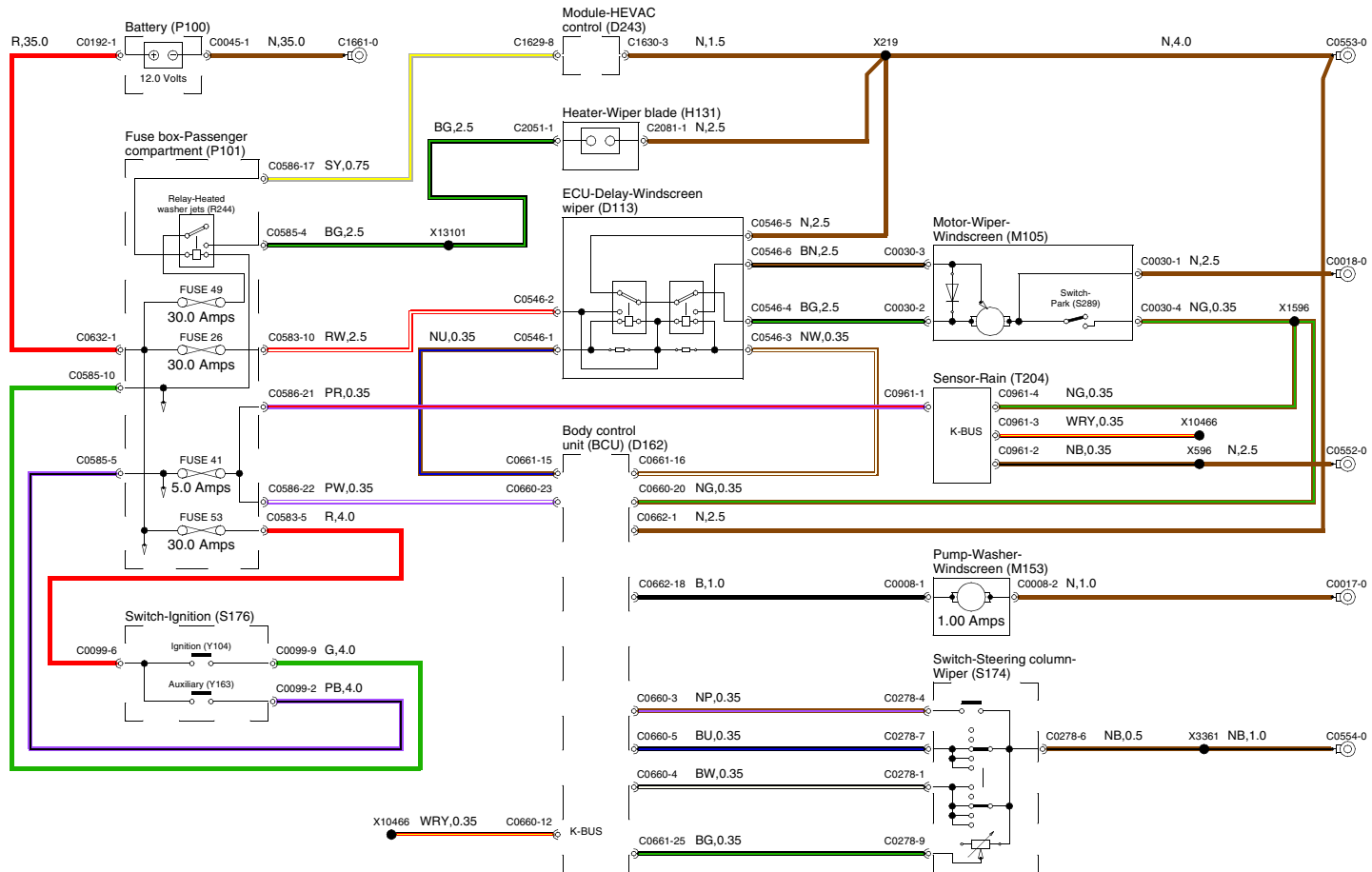


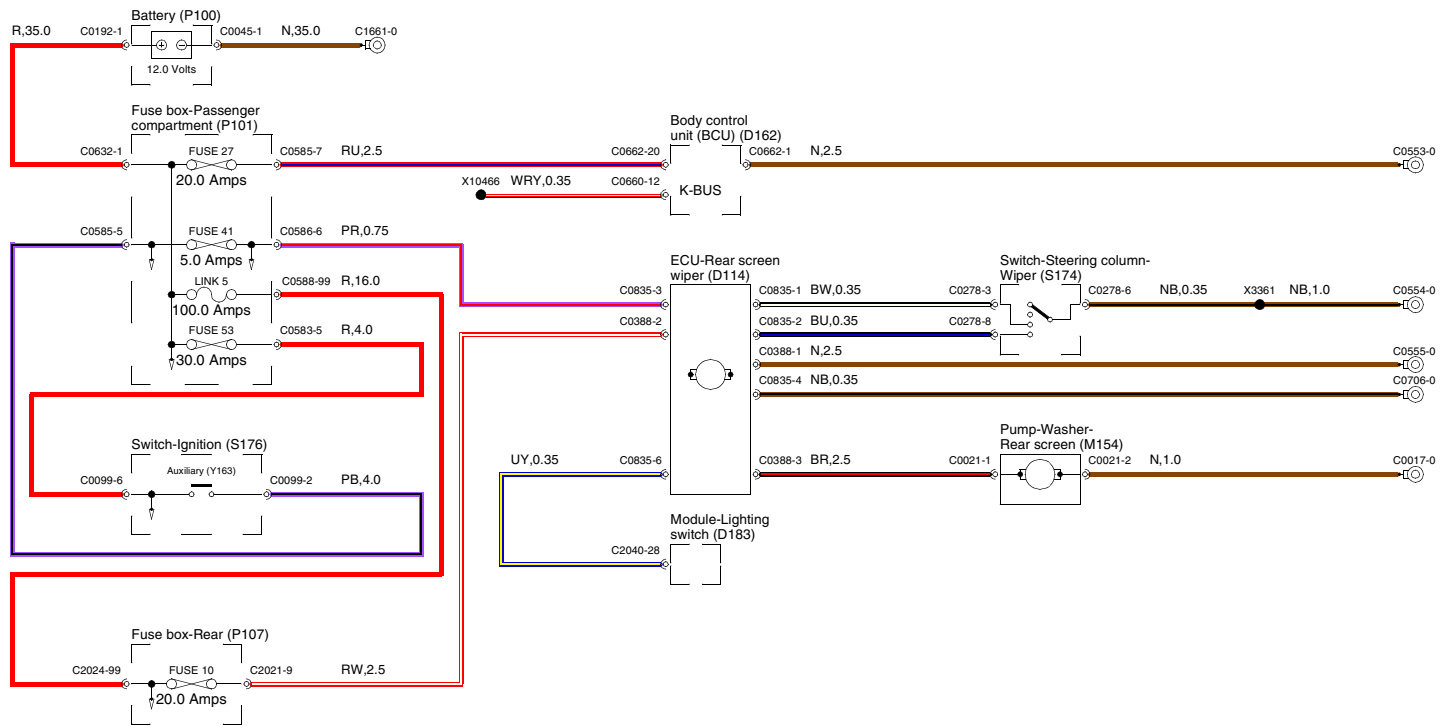
40 HEATED FRONT SCREEN

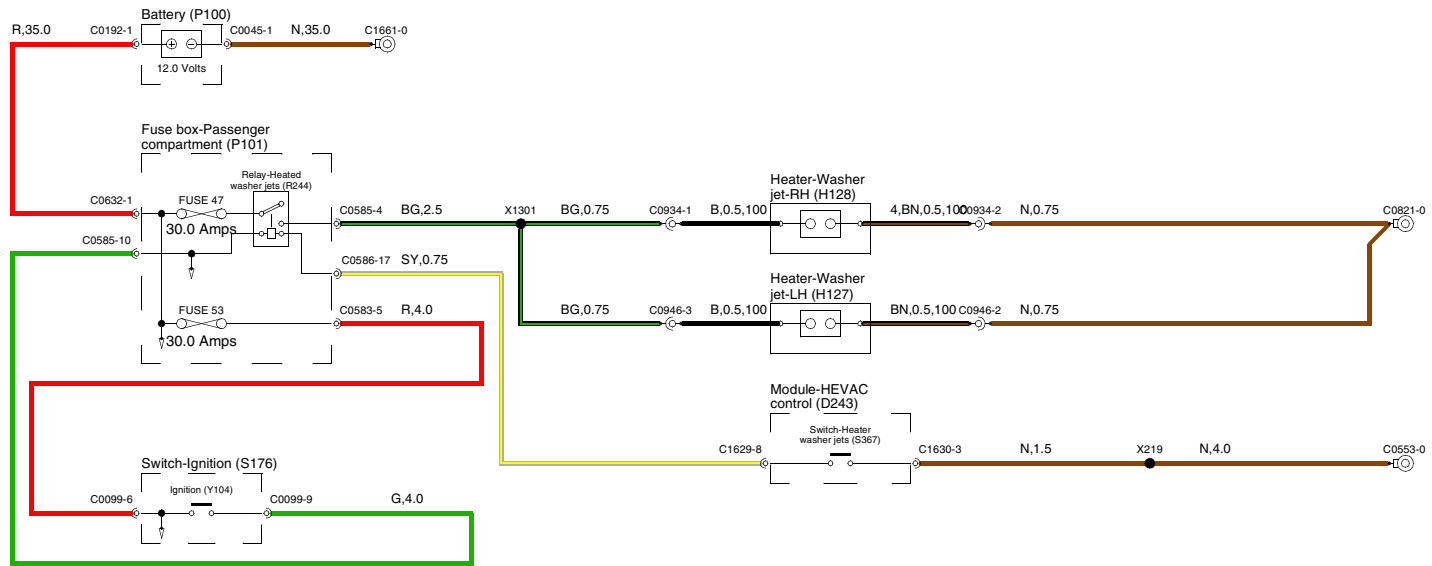


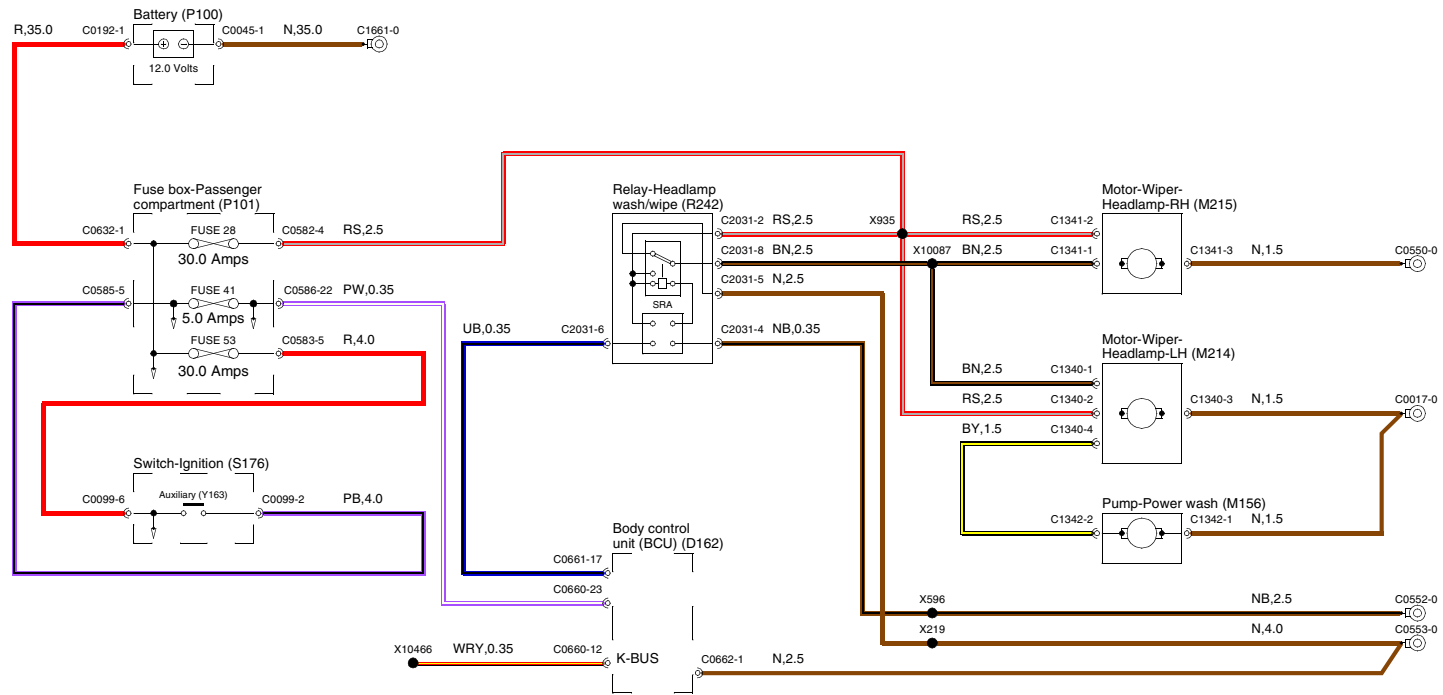
40 HEATED REAR SCREEN

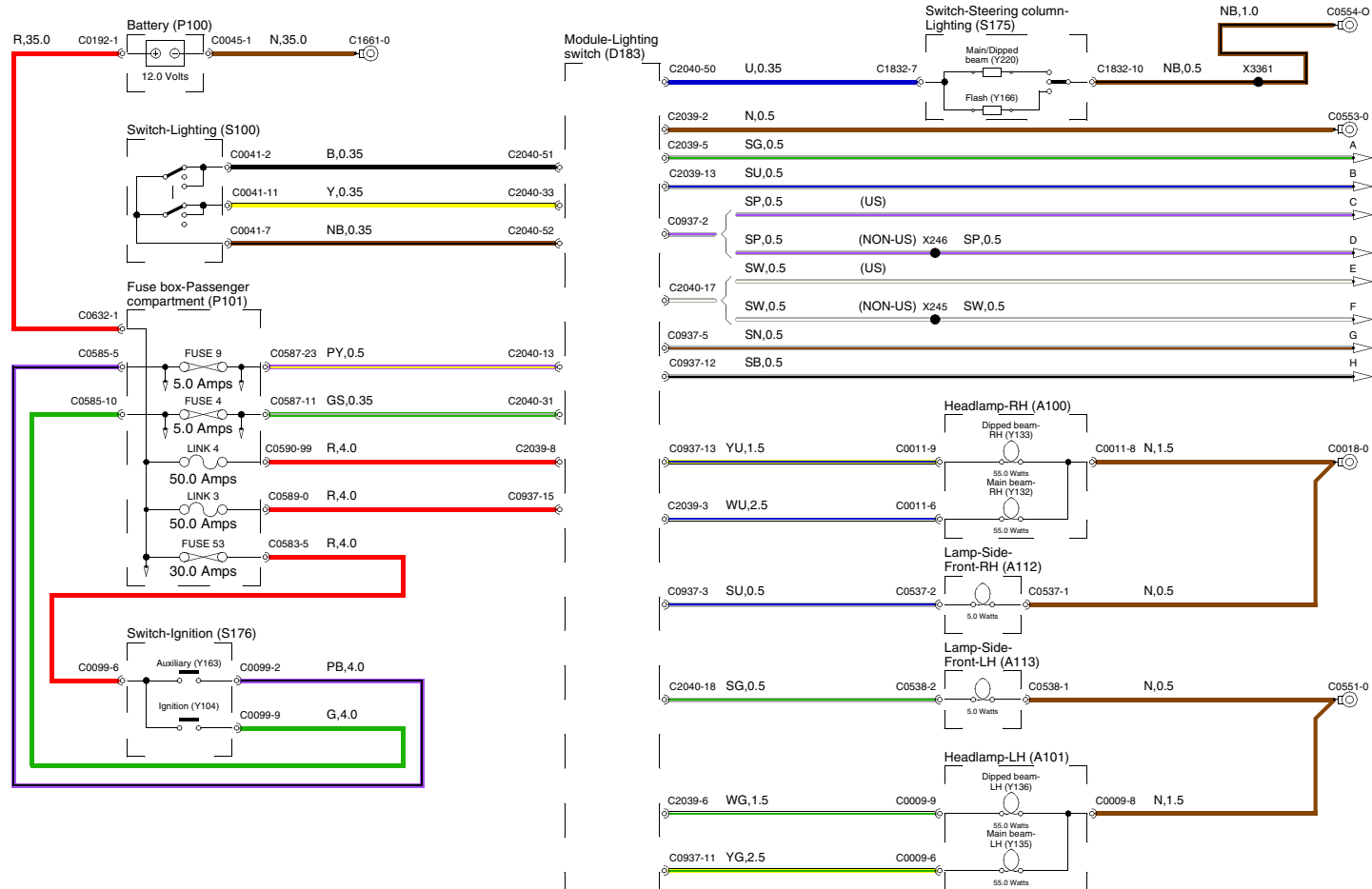


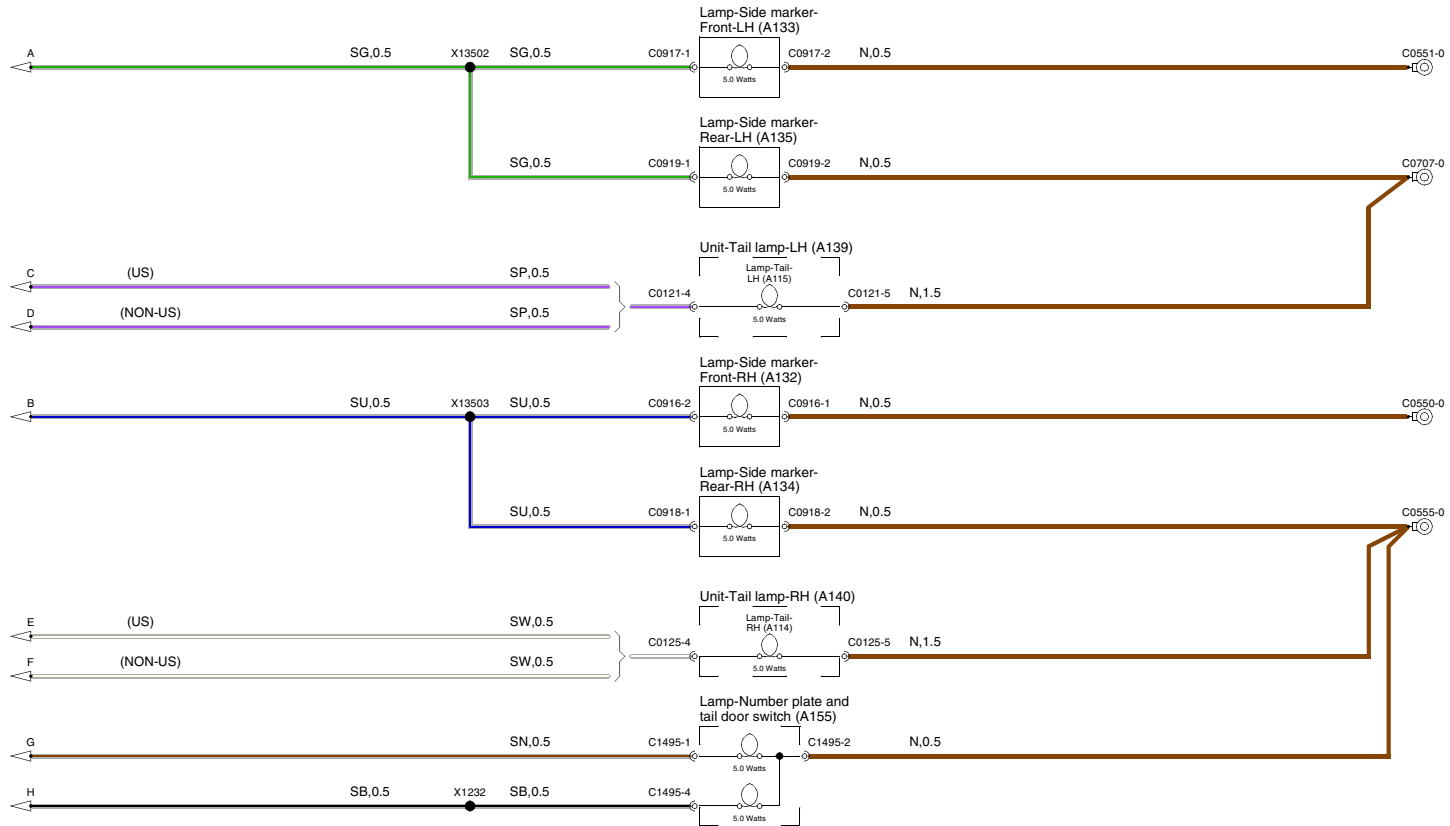


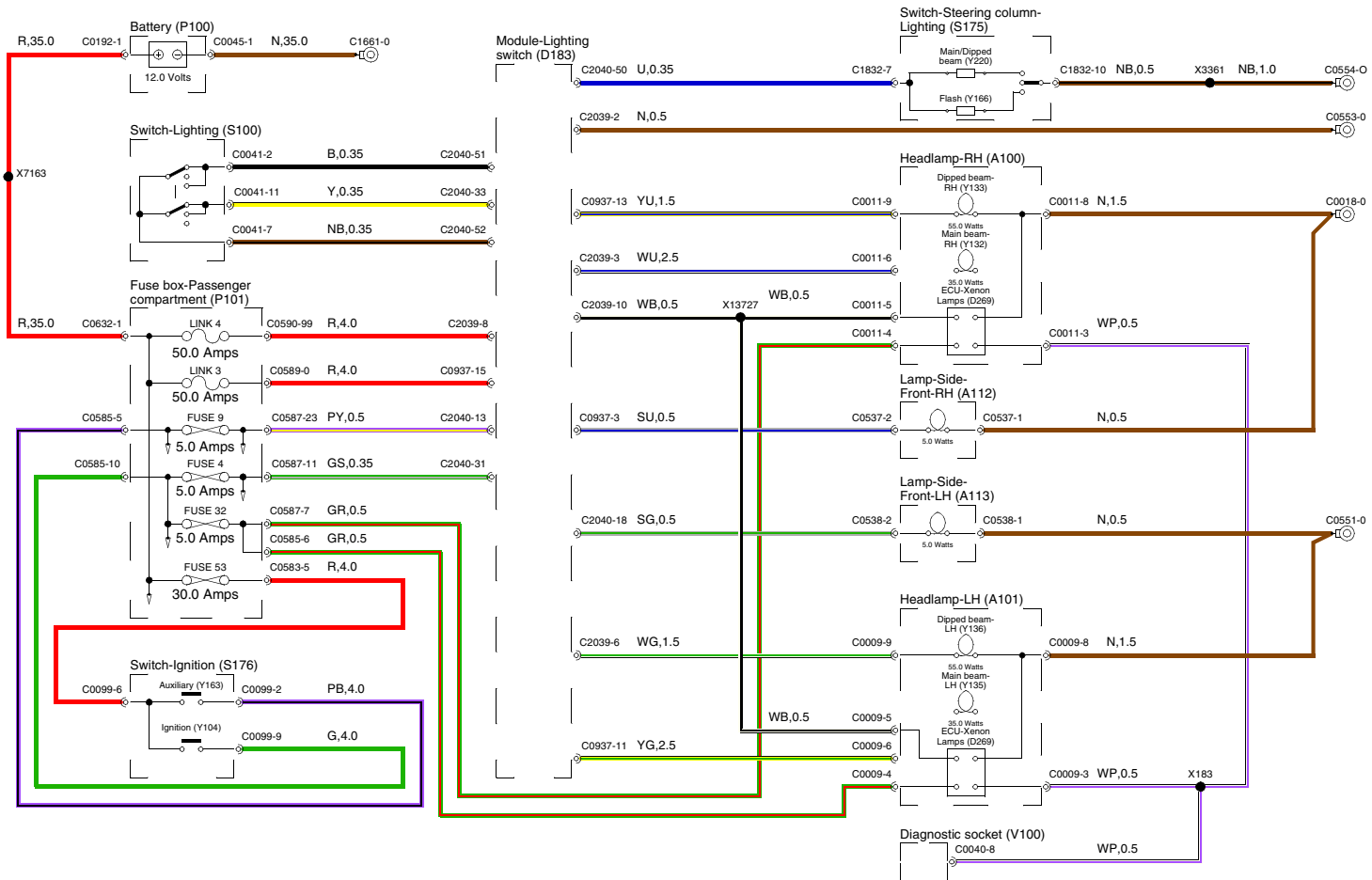


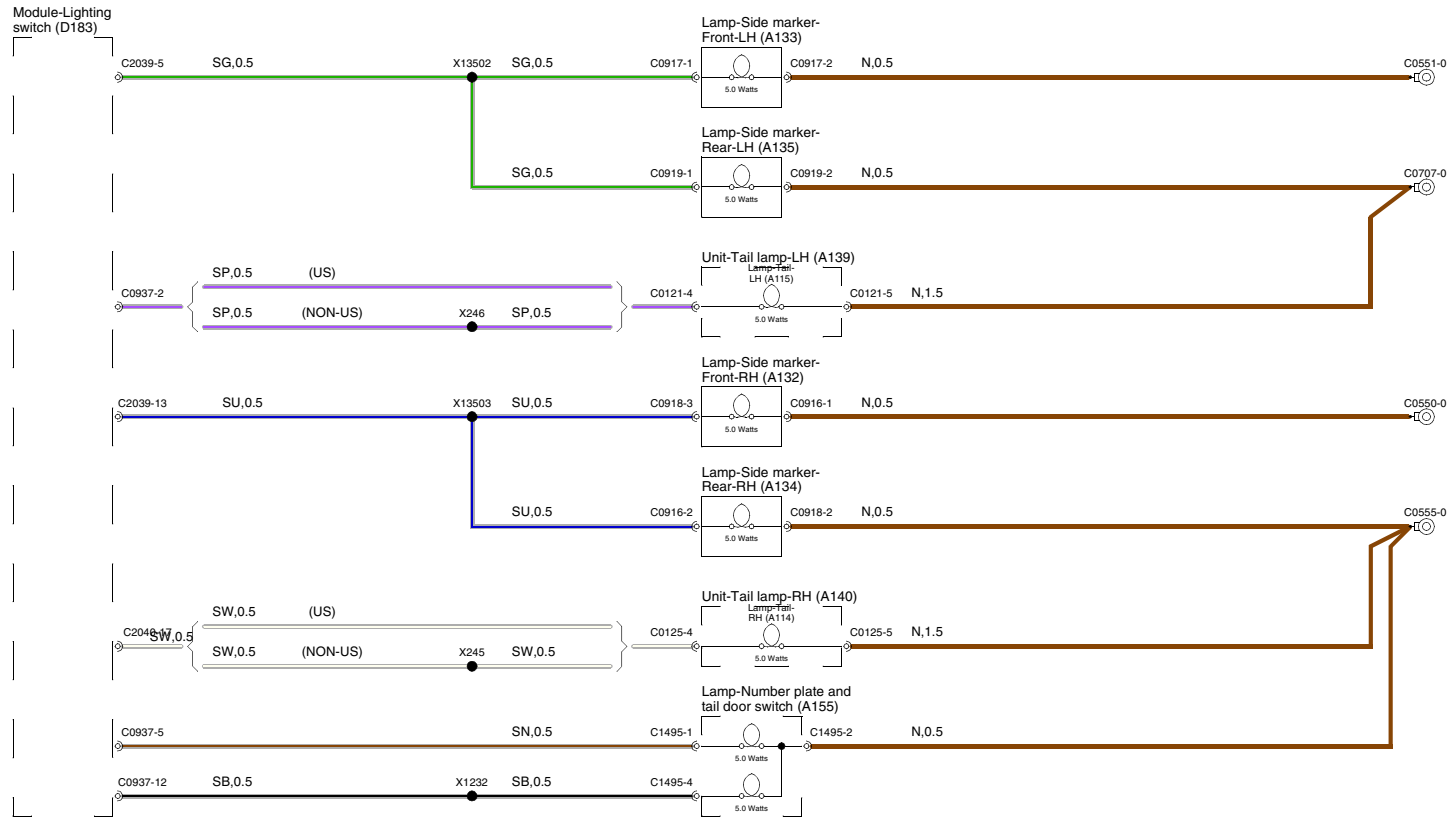


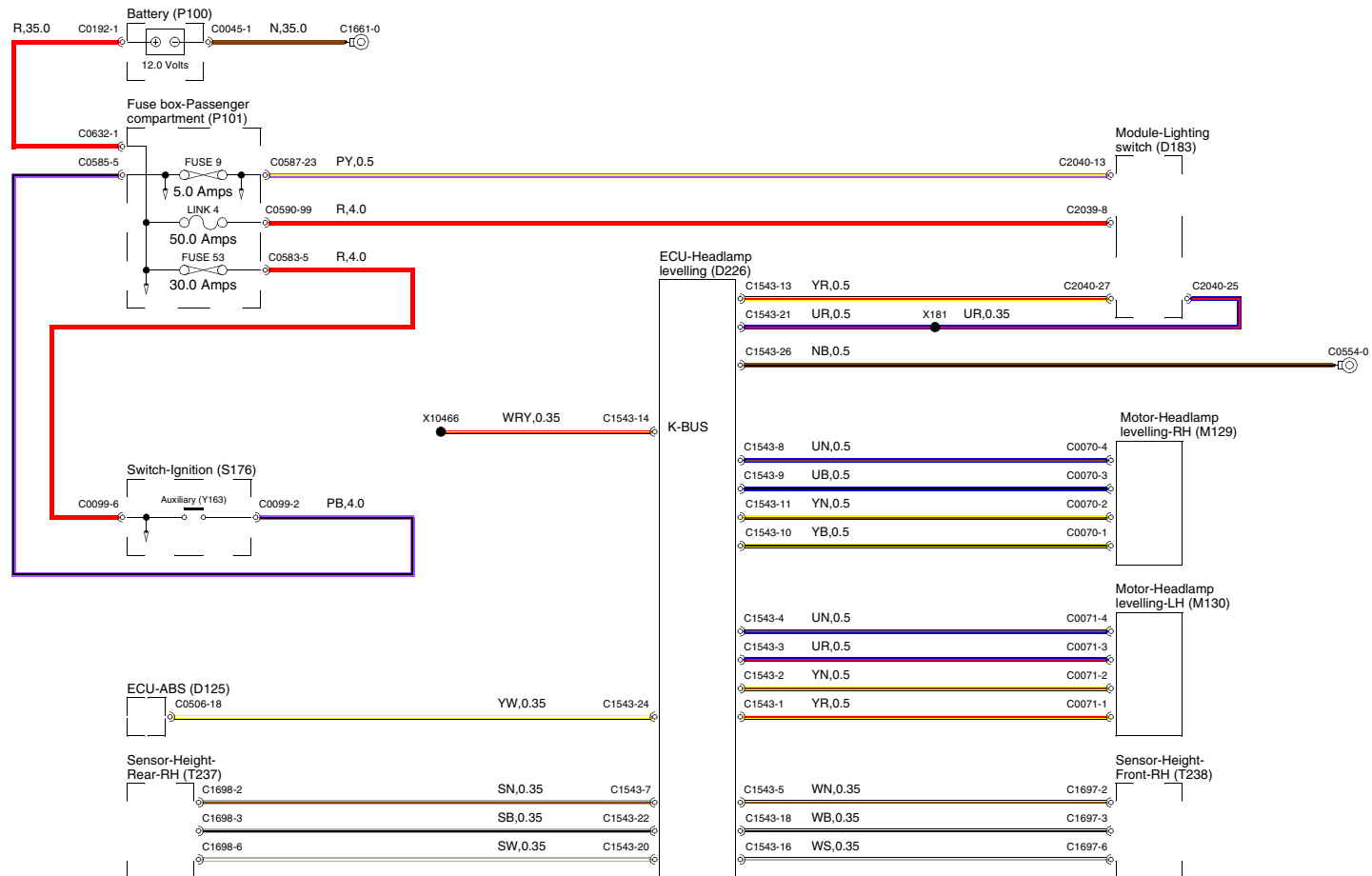


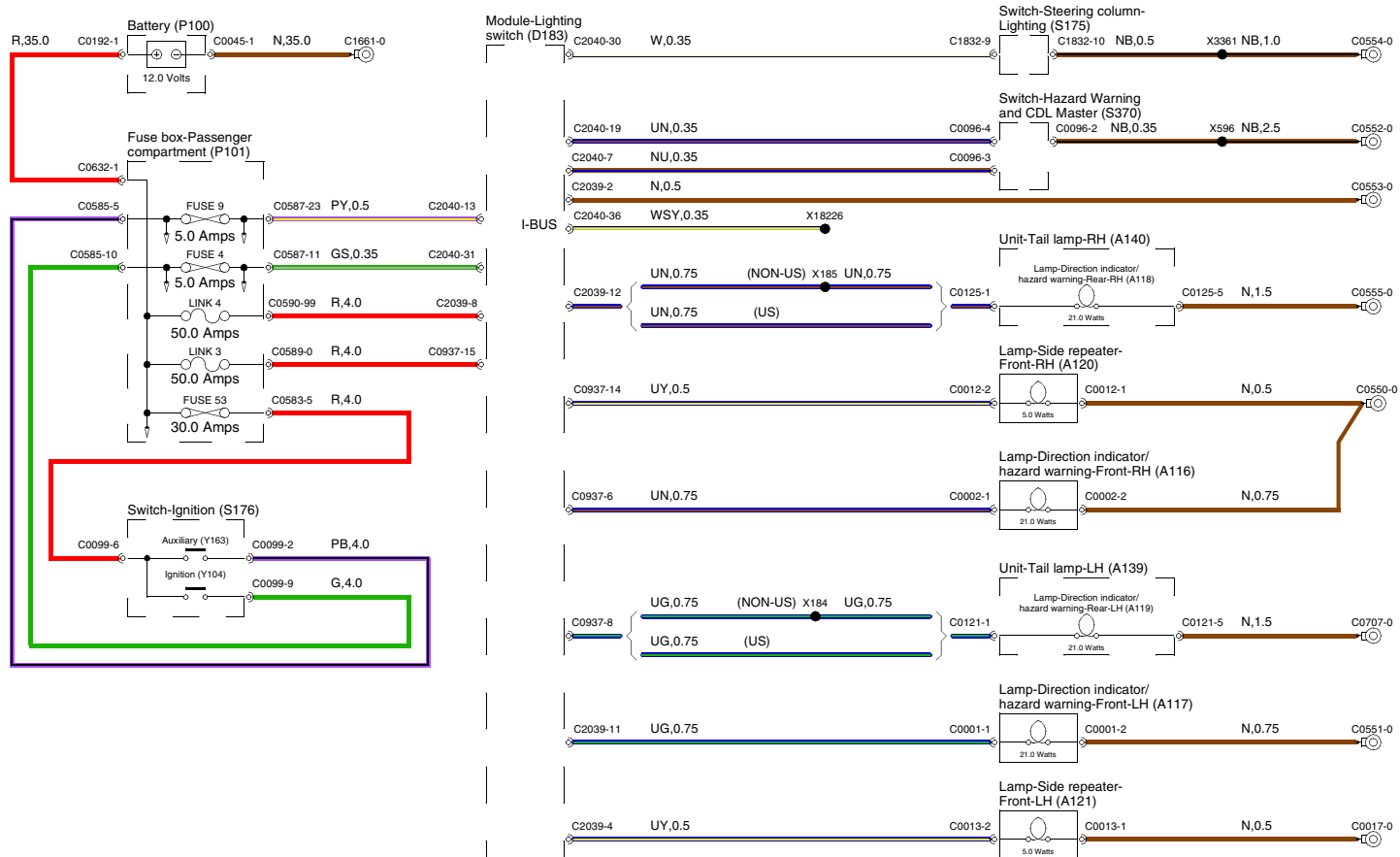


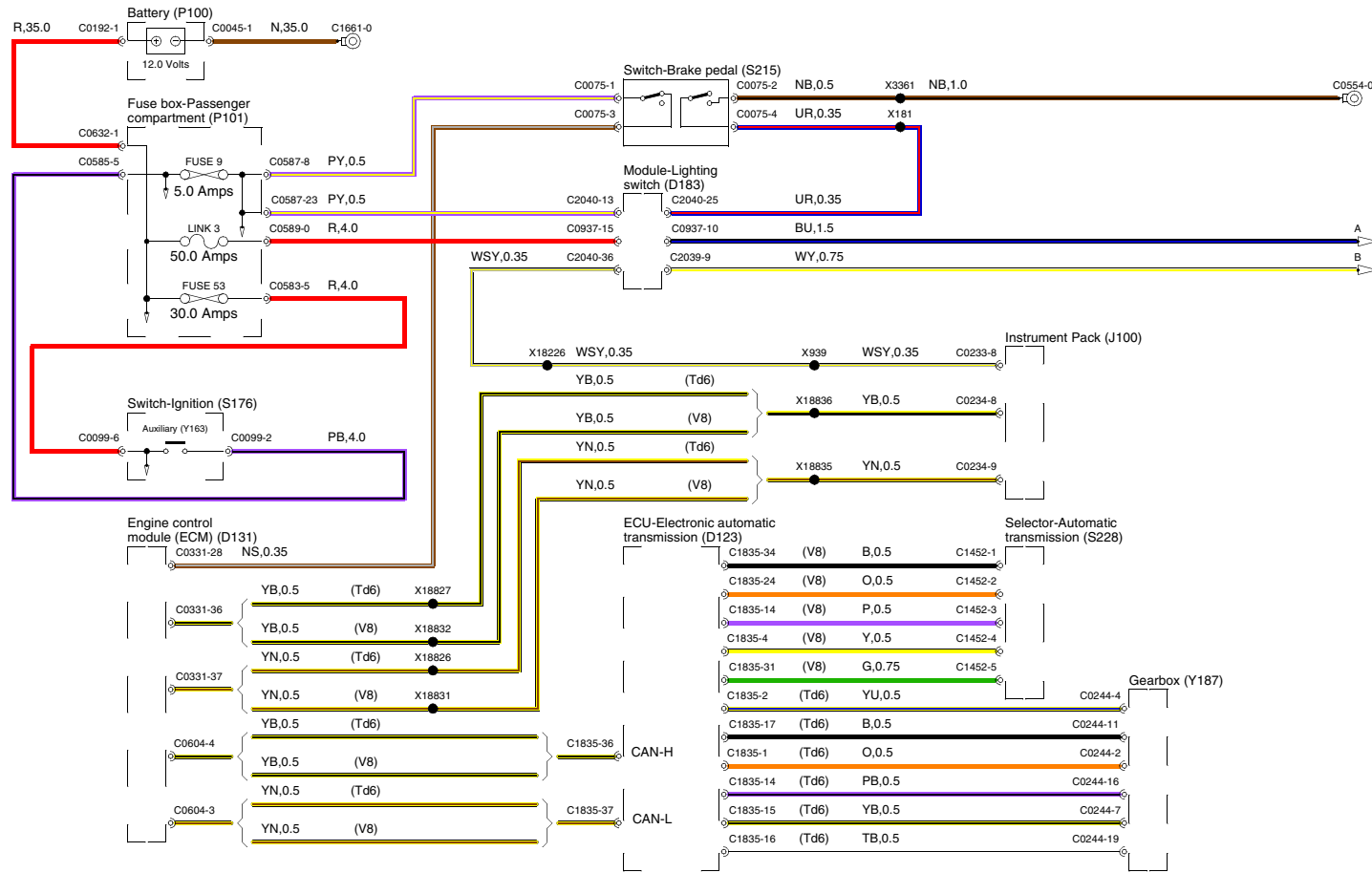


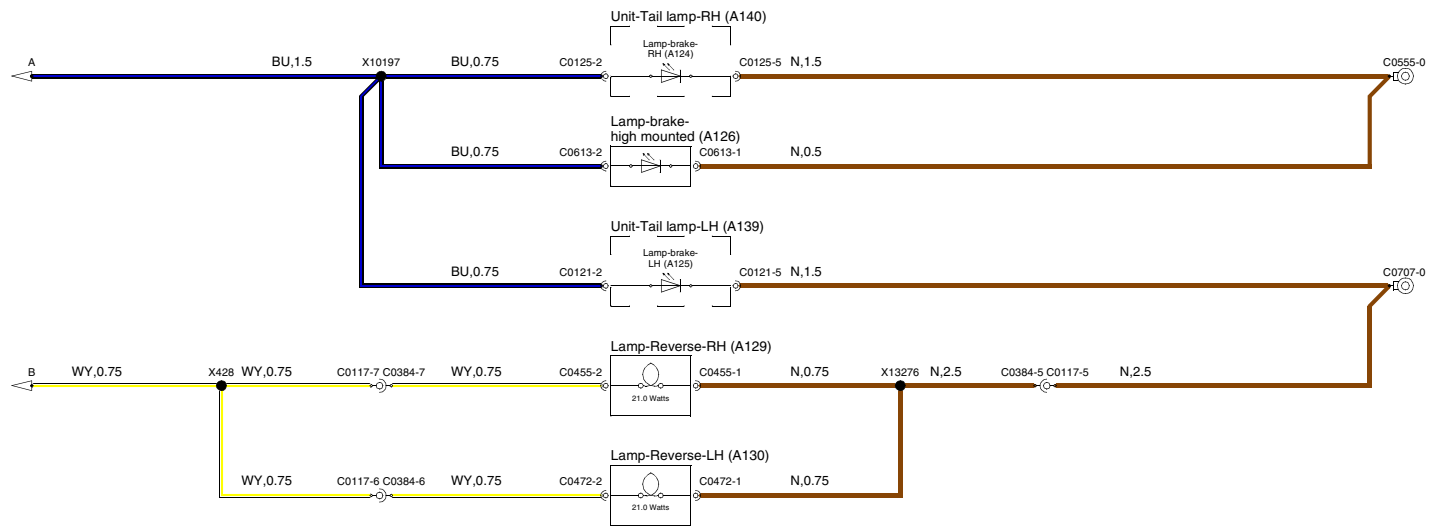


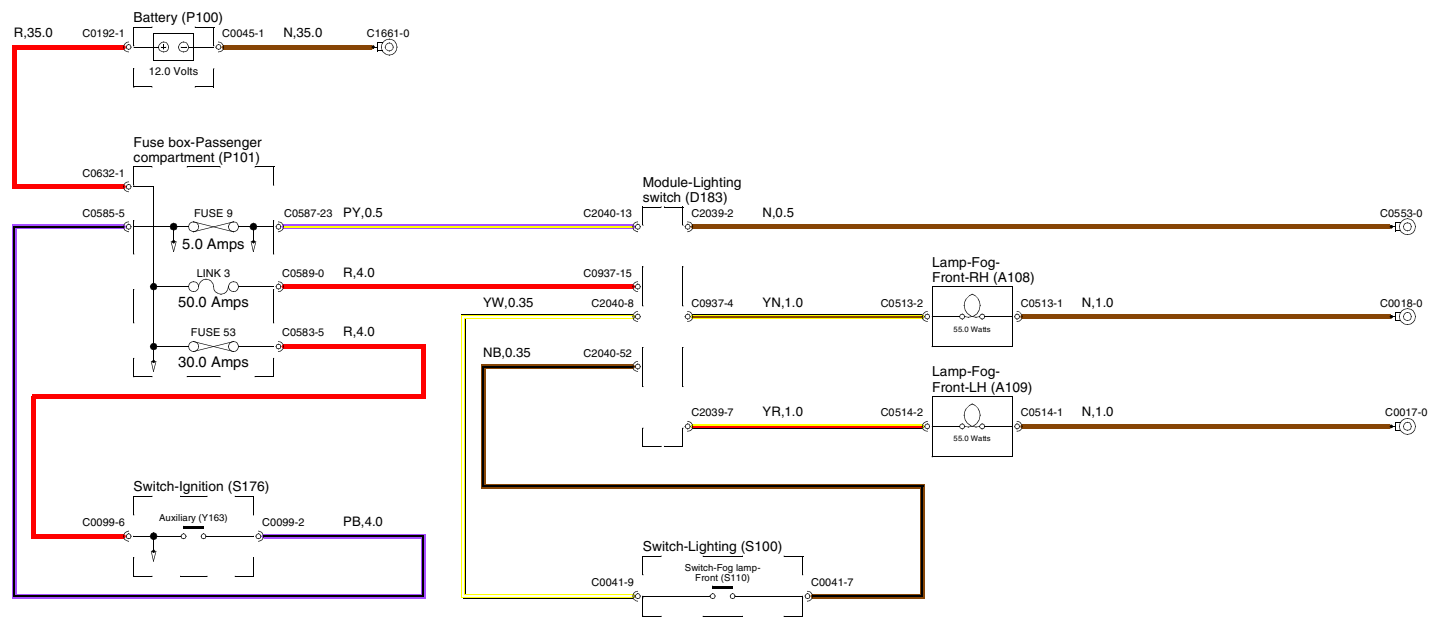


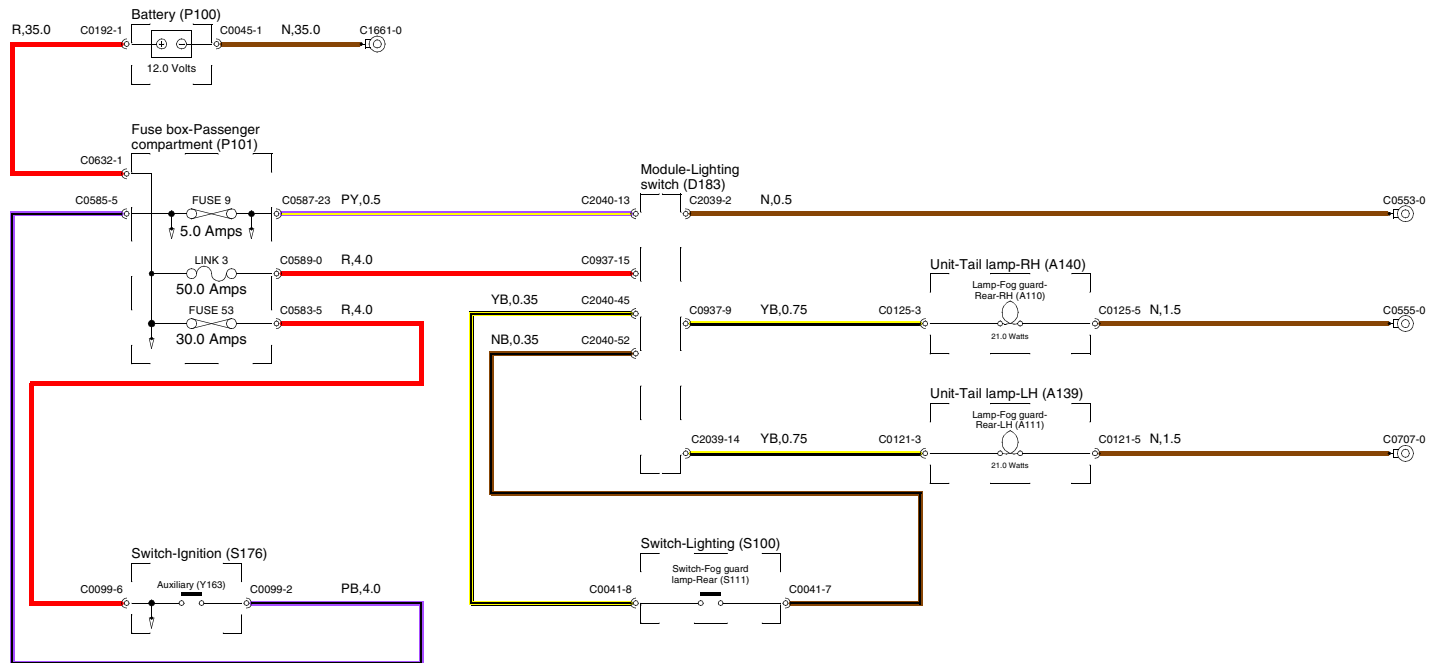




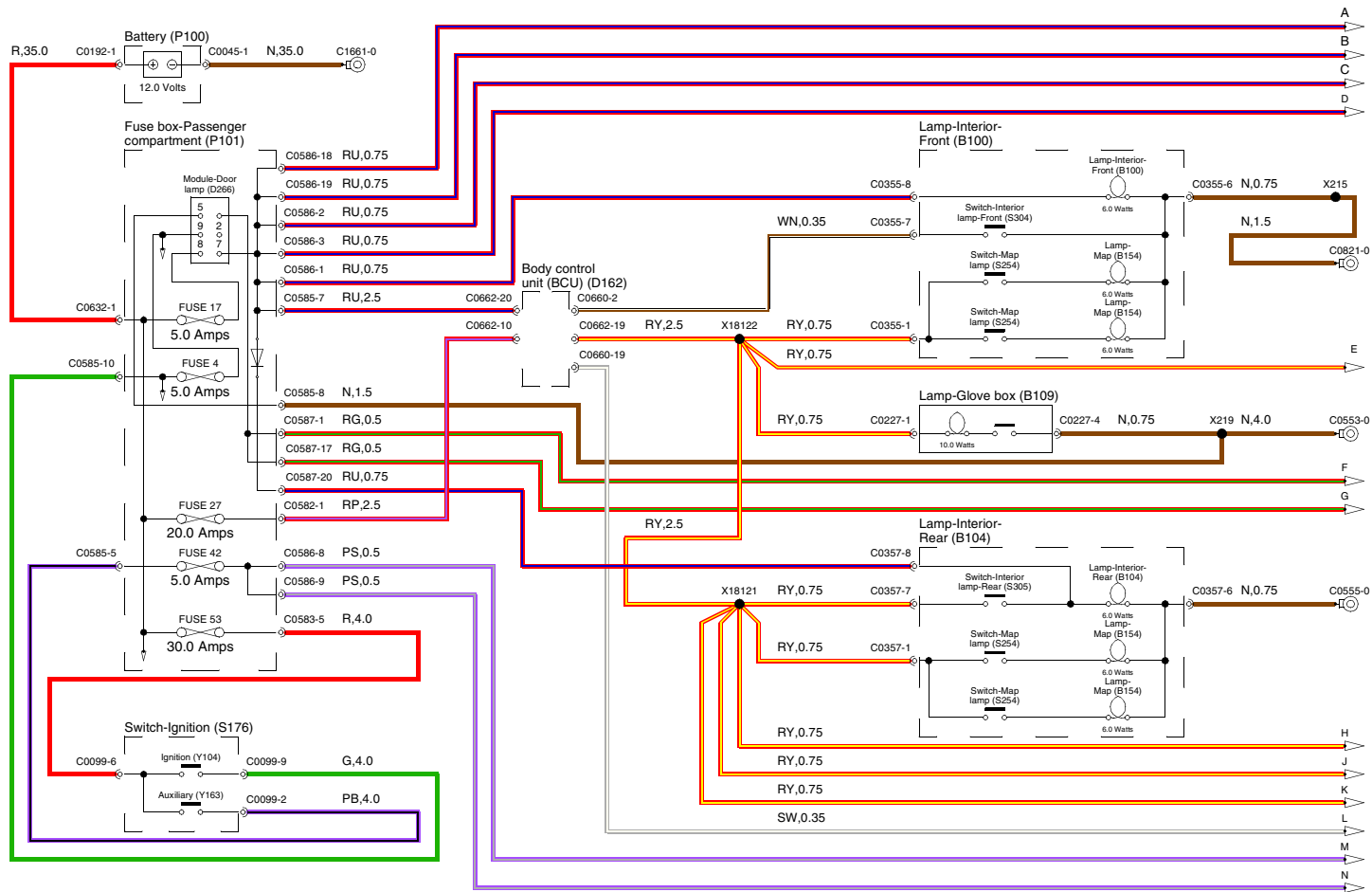




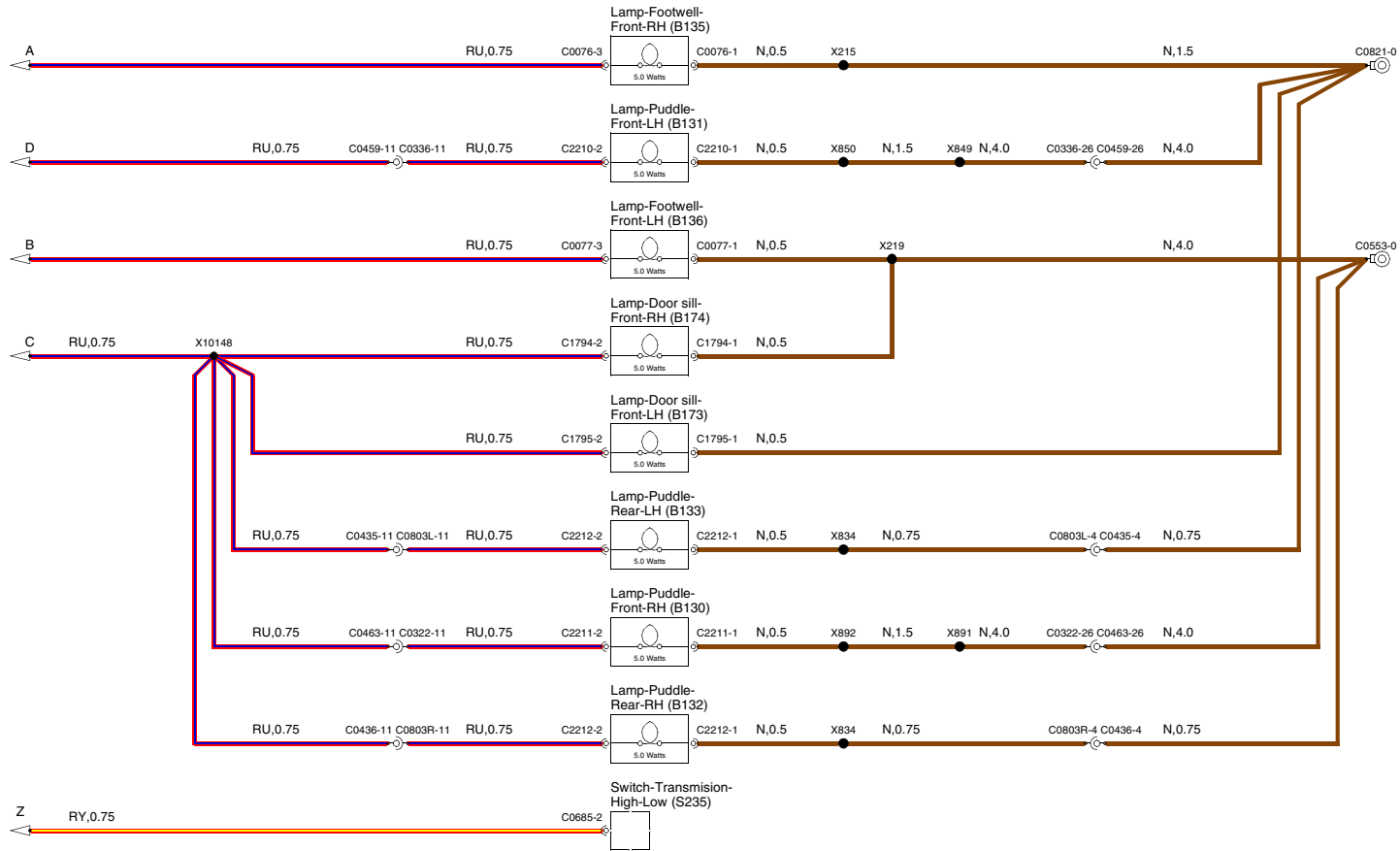




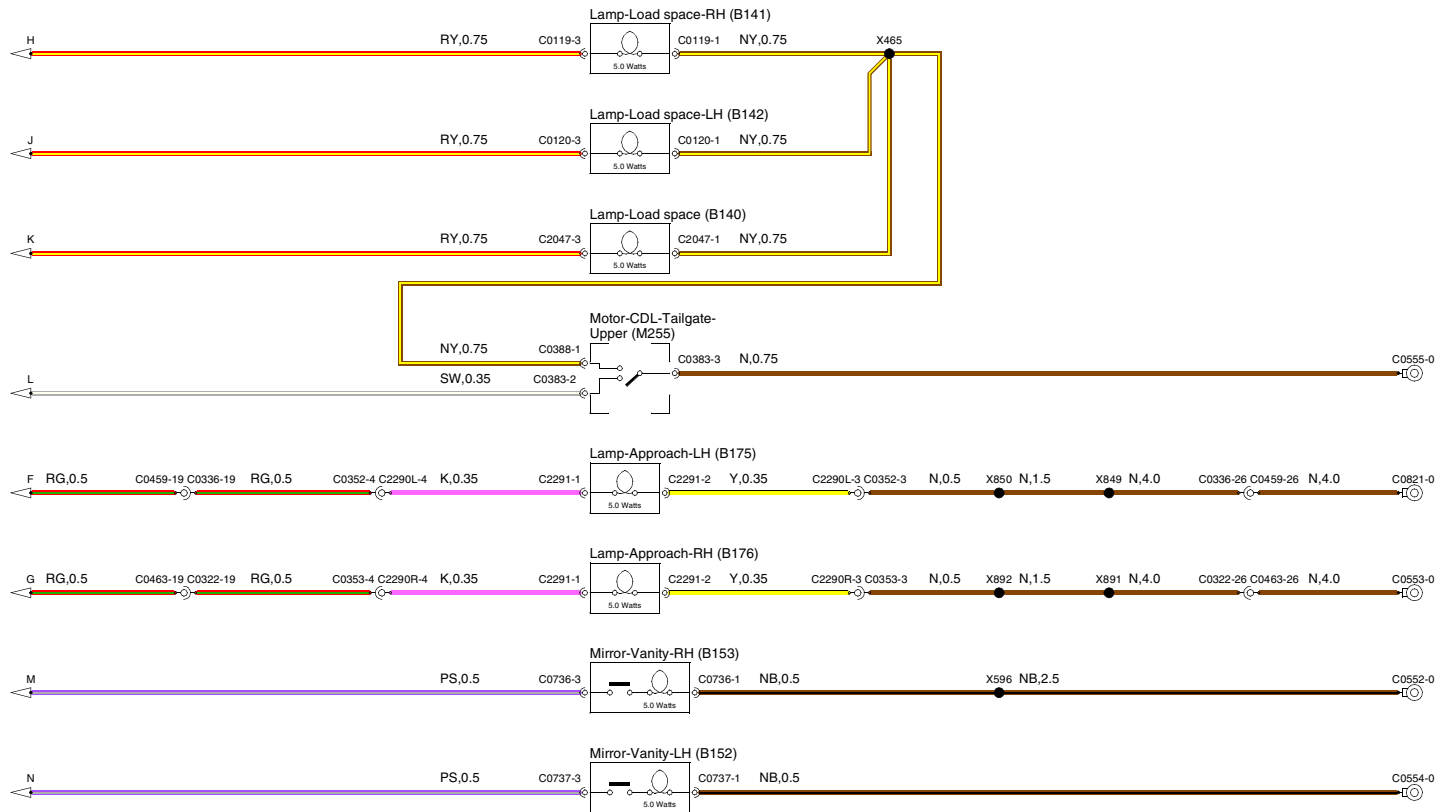
44 INTERIOR LAMPS



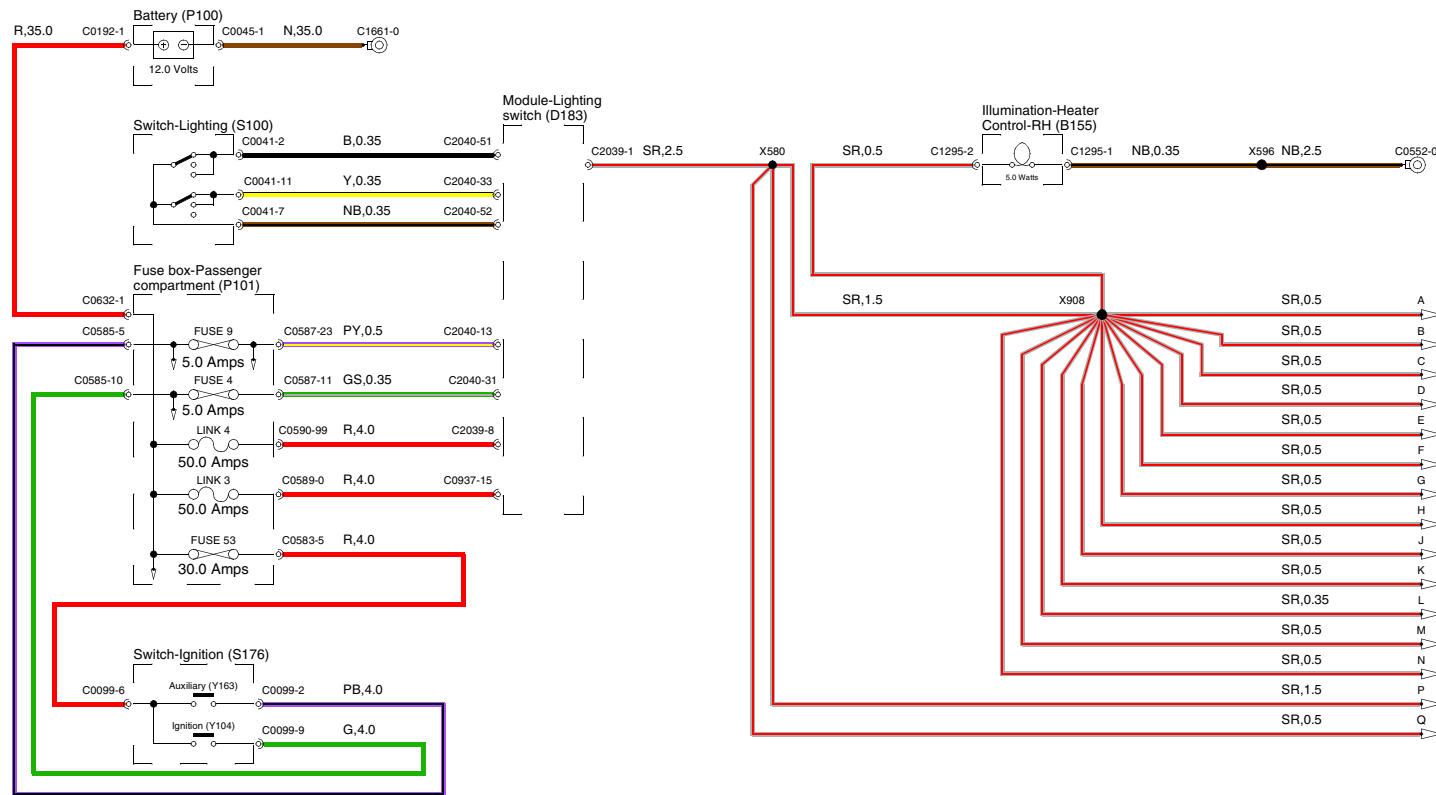
44 INTERIOR LAMPS



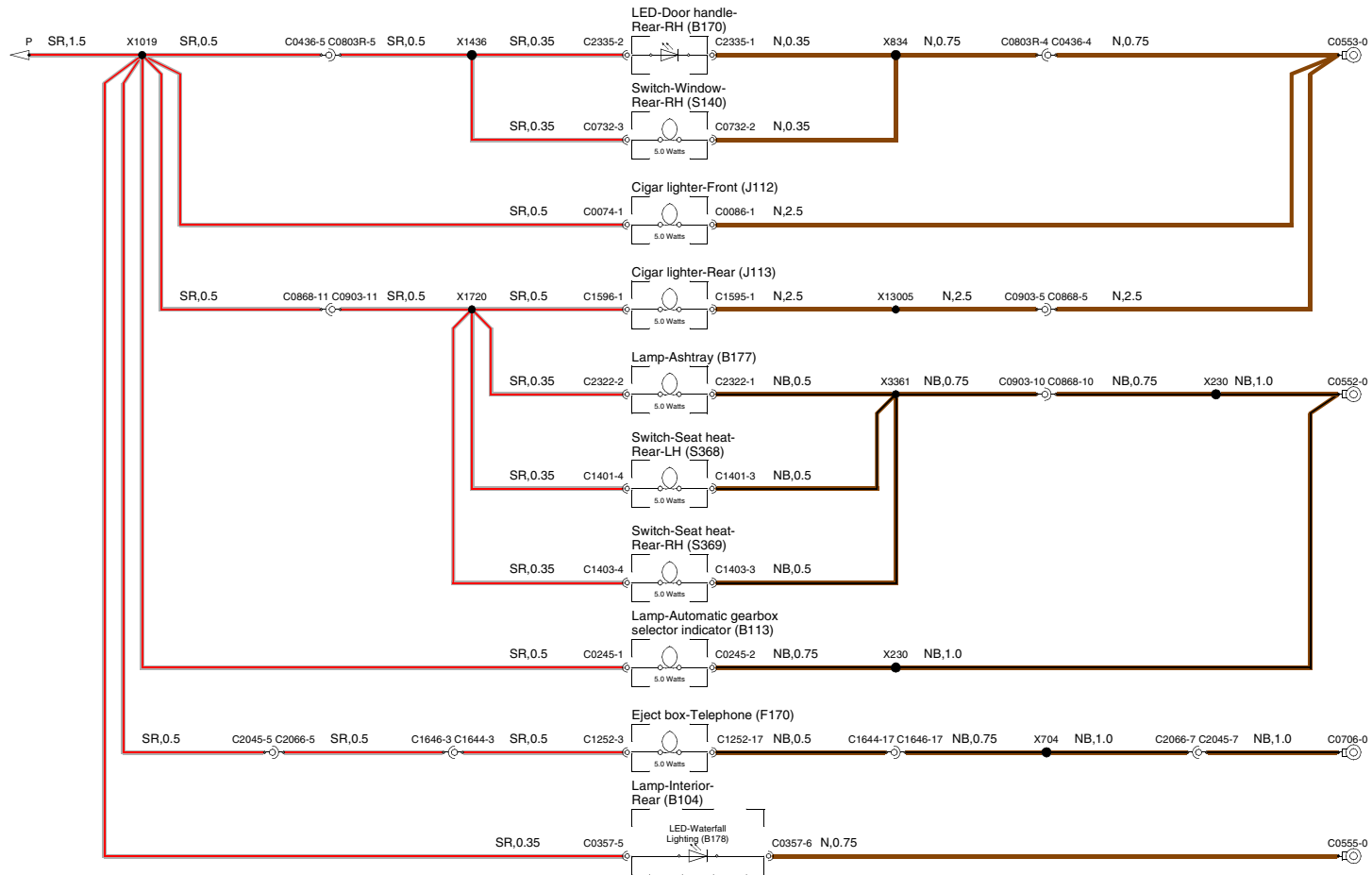
44 INTERIOR LAMPS



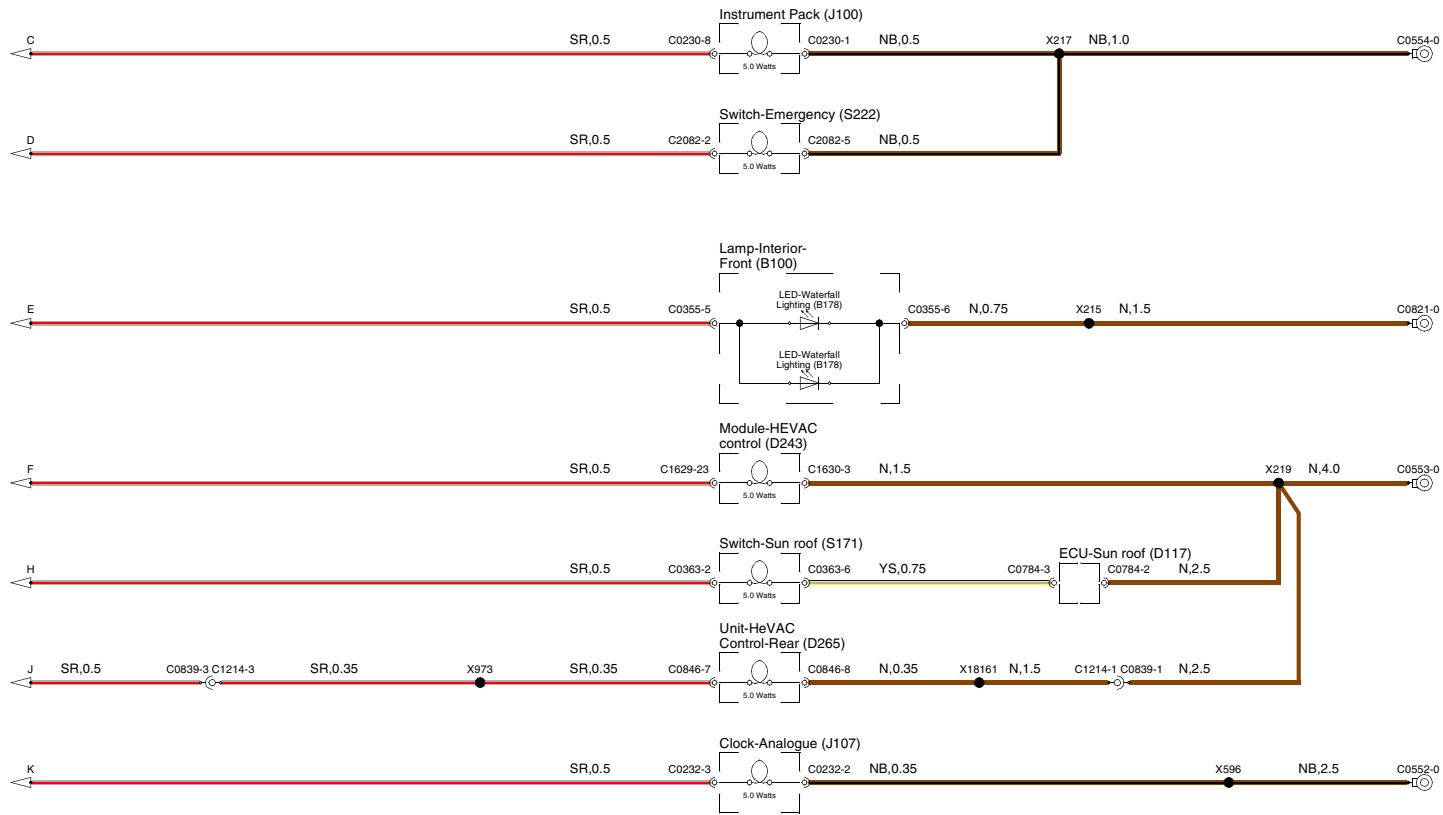
46 INTERIOR ILLUMINATION



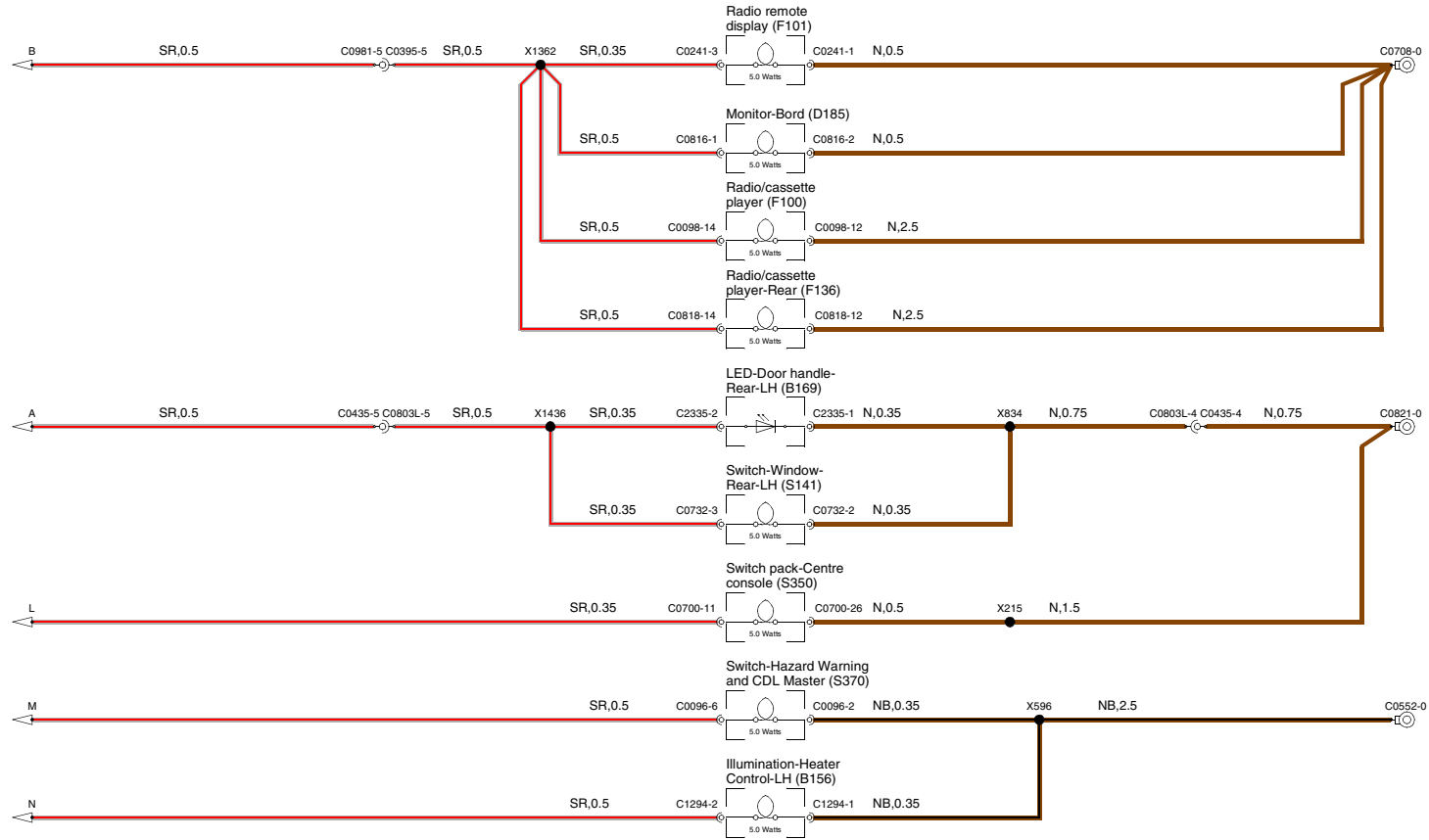
46 INTERIOR ILLUMINATION



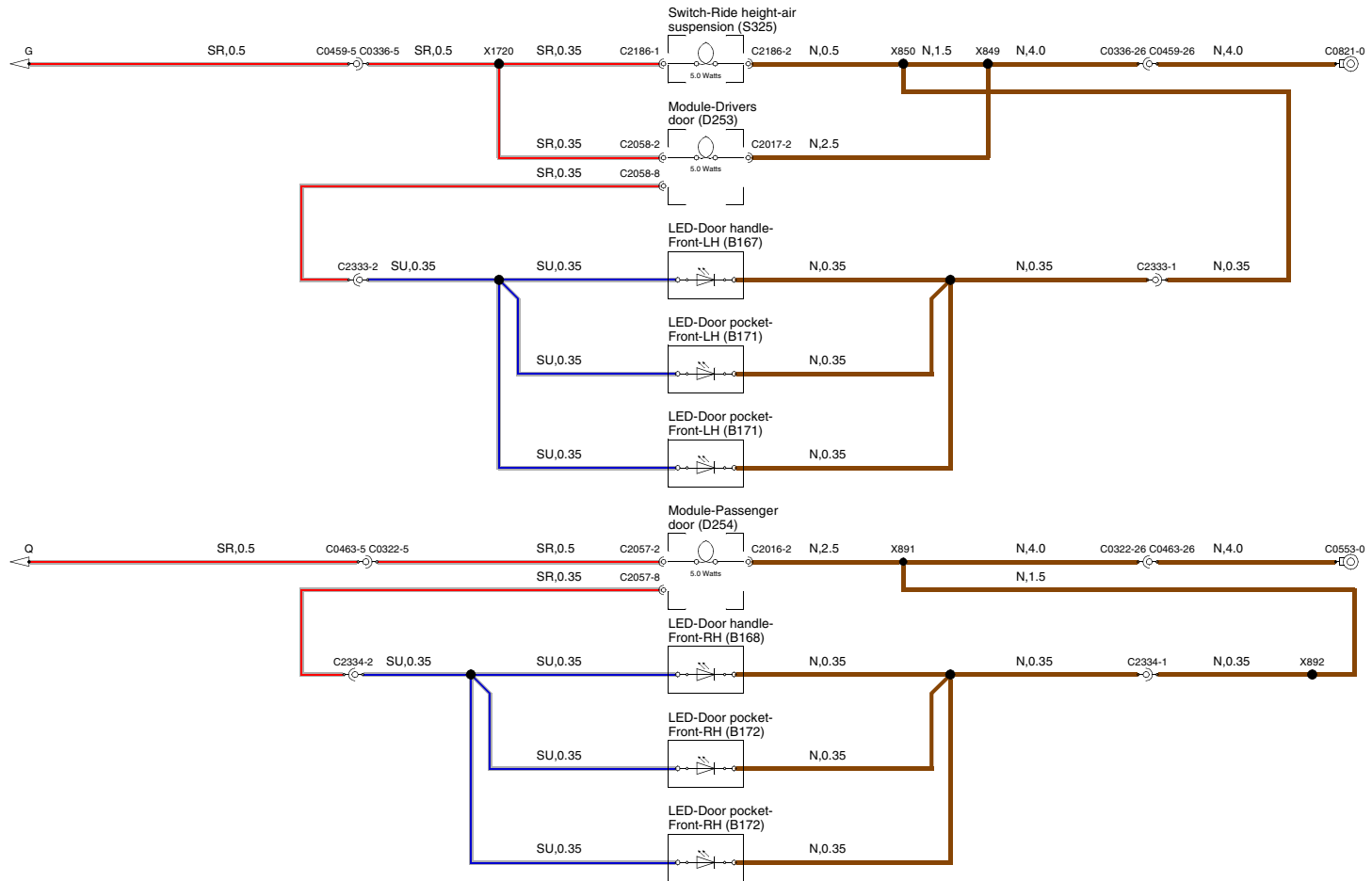
46 INTERIOR ILLUMINATION



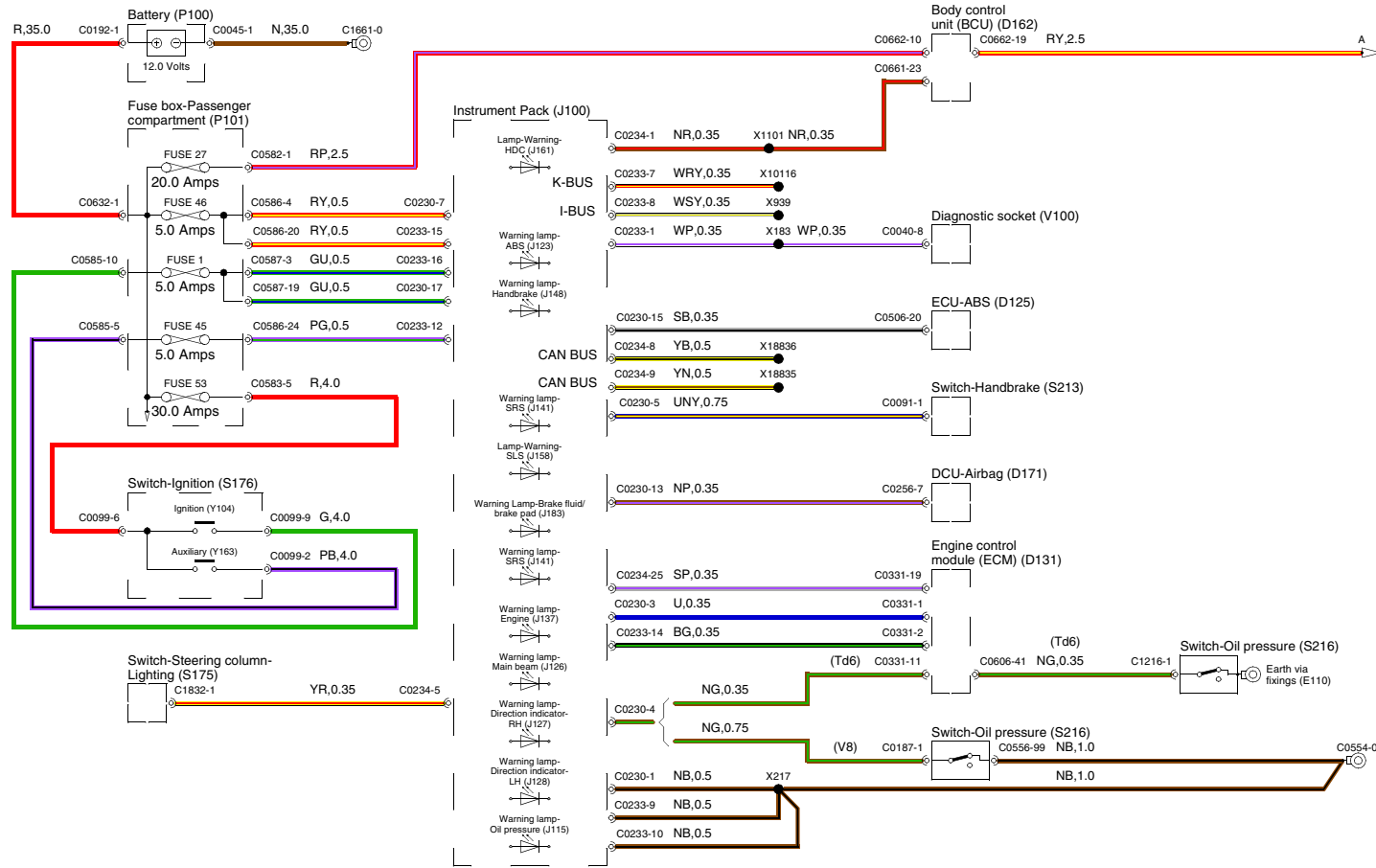
46 INTERIOR ILLUMINATION

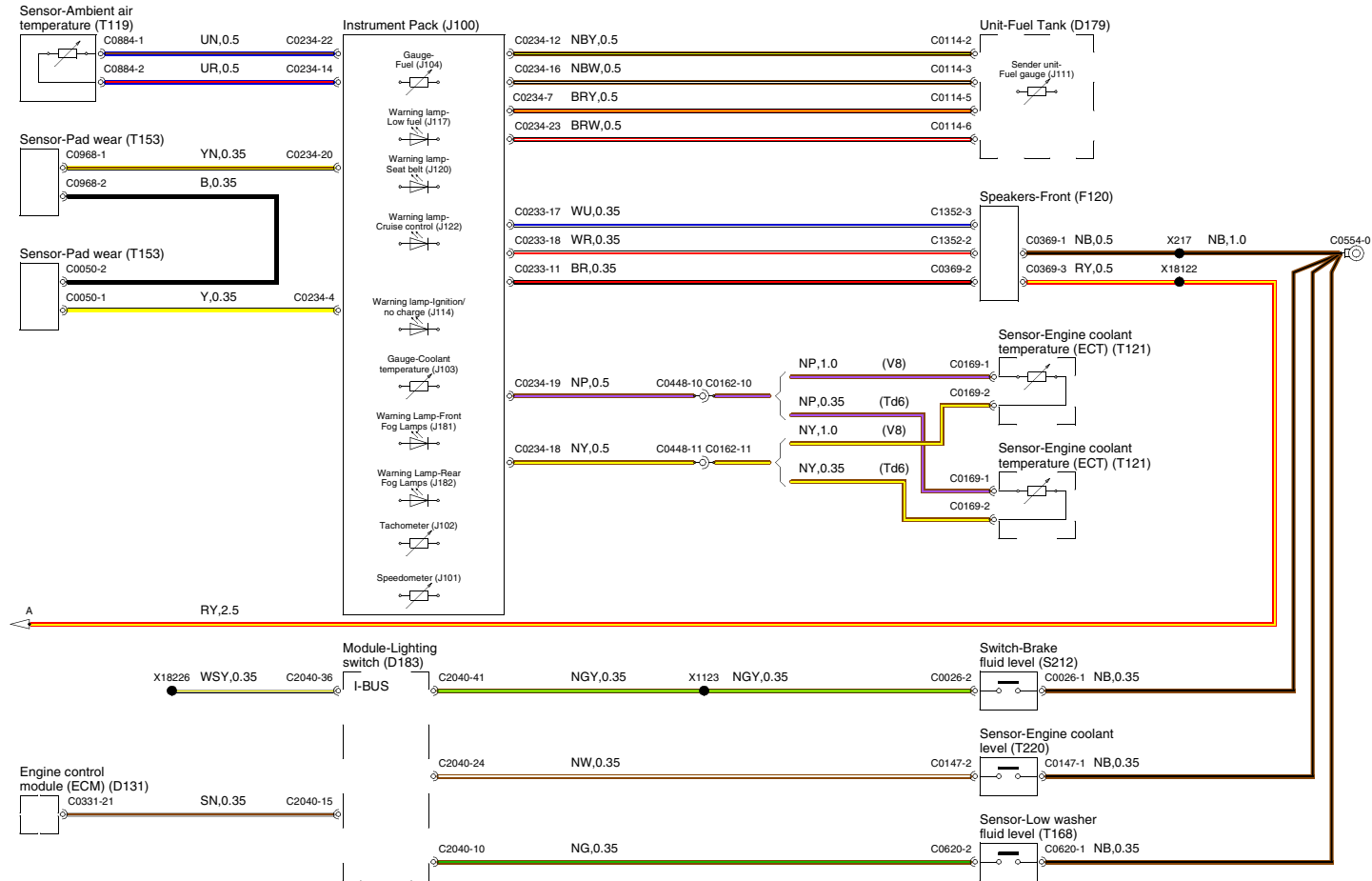


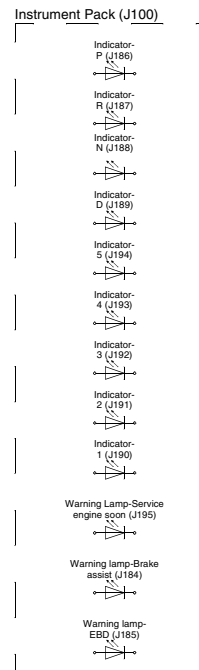
46 INTERIOR ILLUMINATION



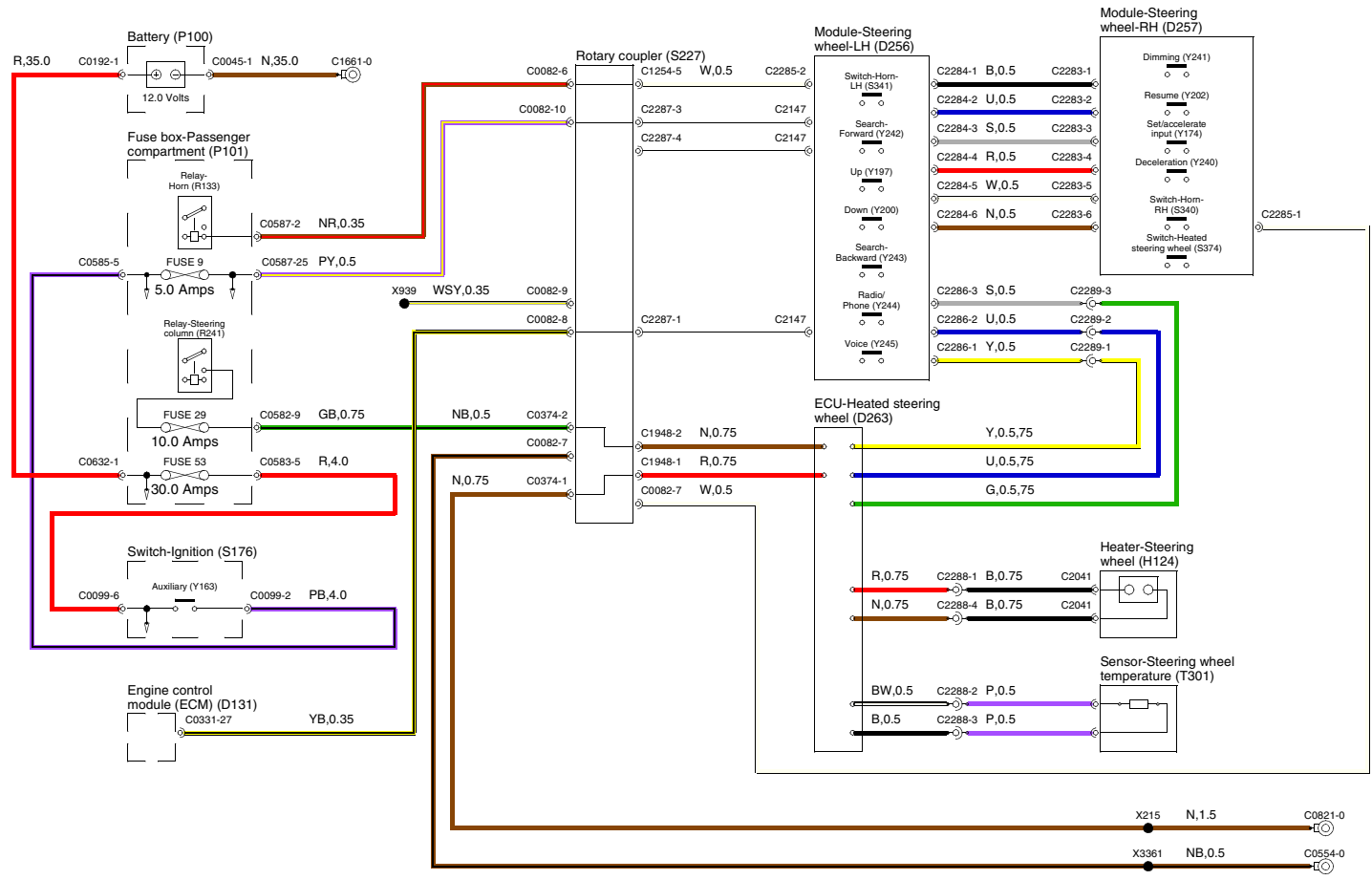
47 INSTRUMENTS



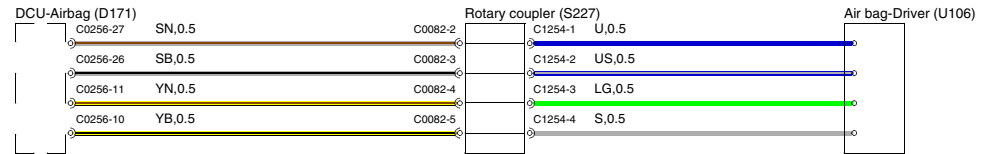




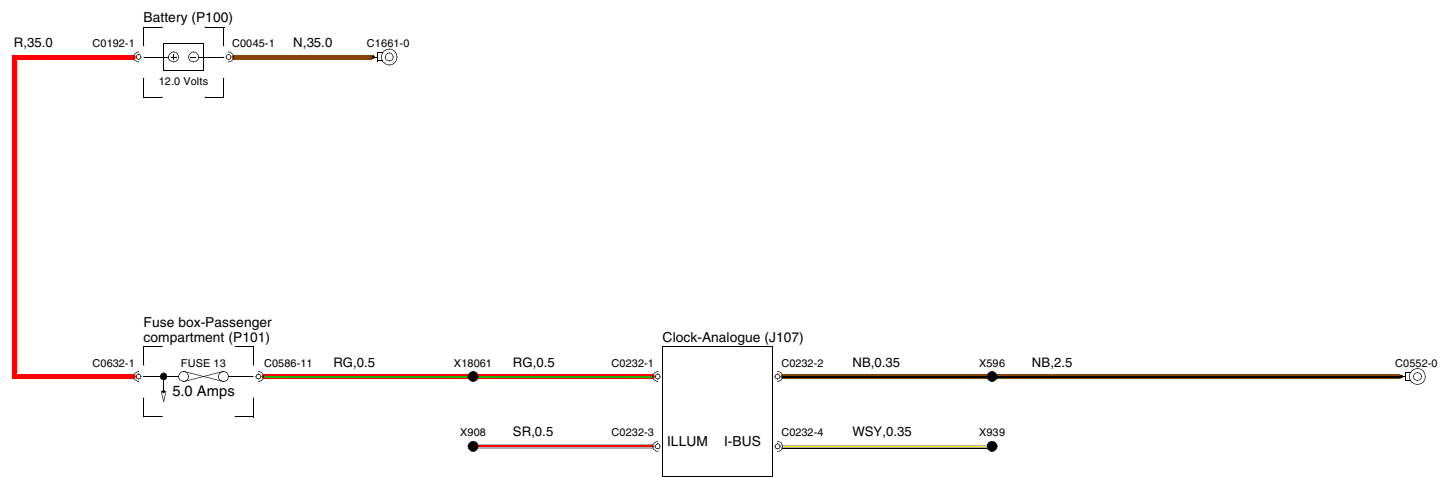
47 ROTARY COUPLER



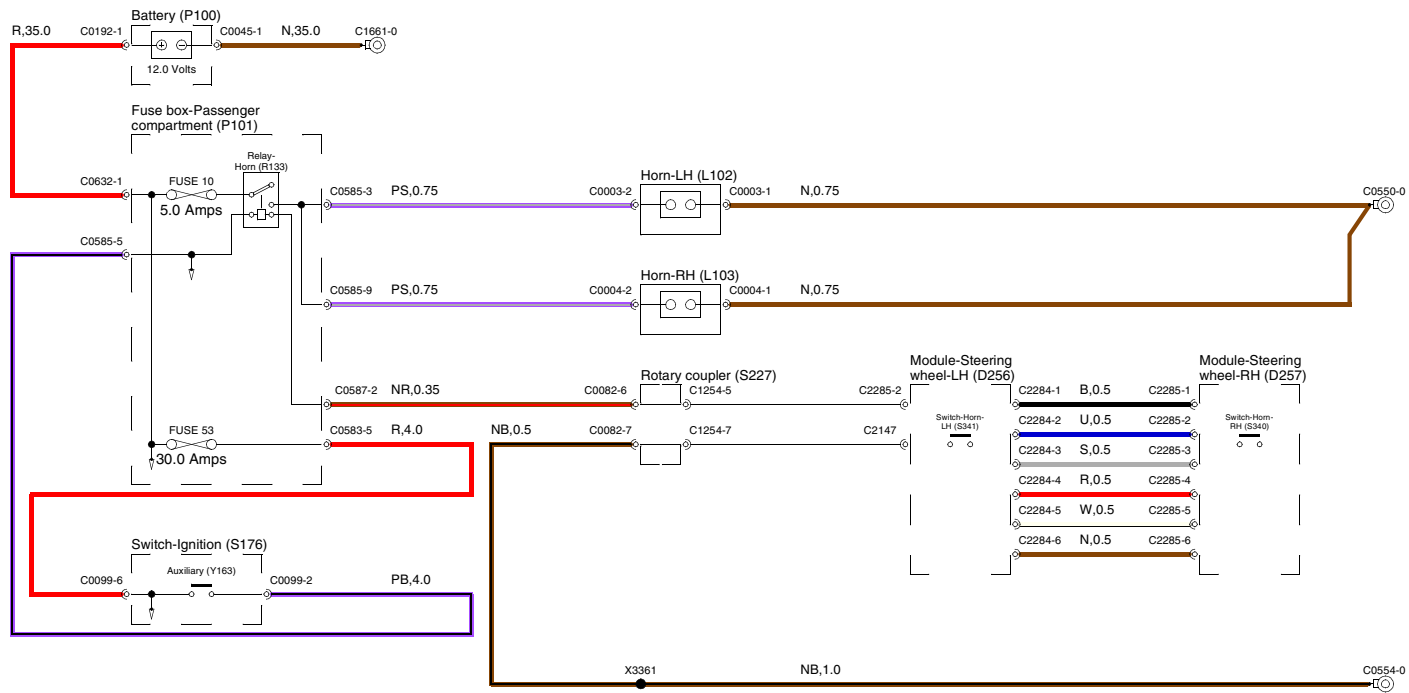
47 ROTARY COUPLER



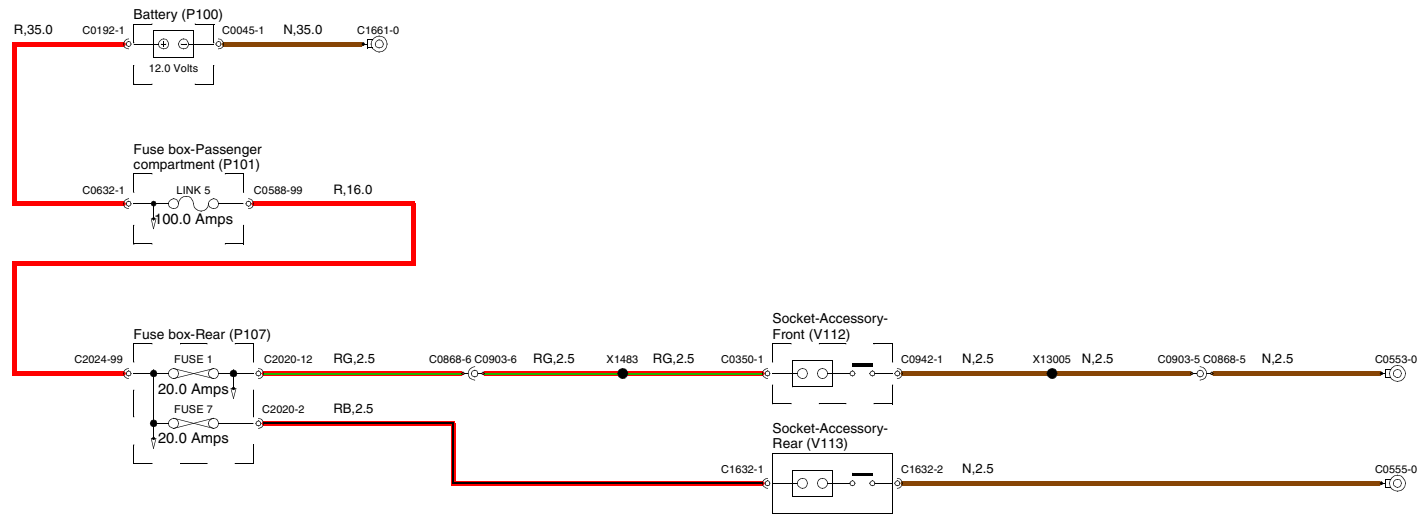
48 CLOCK



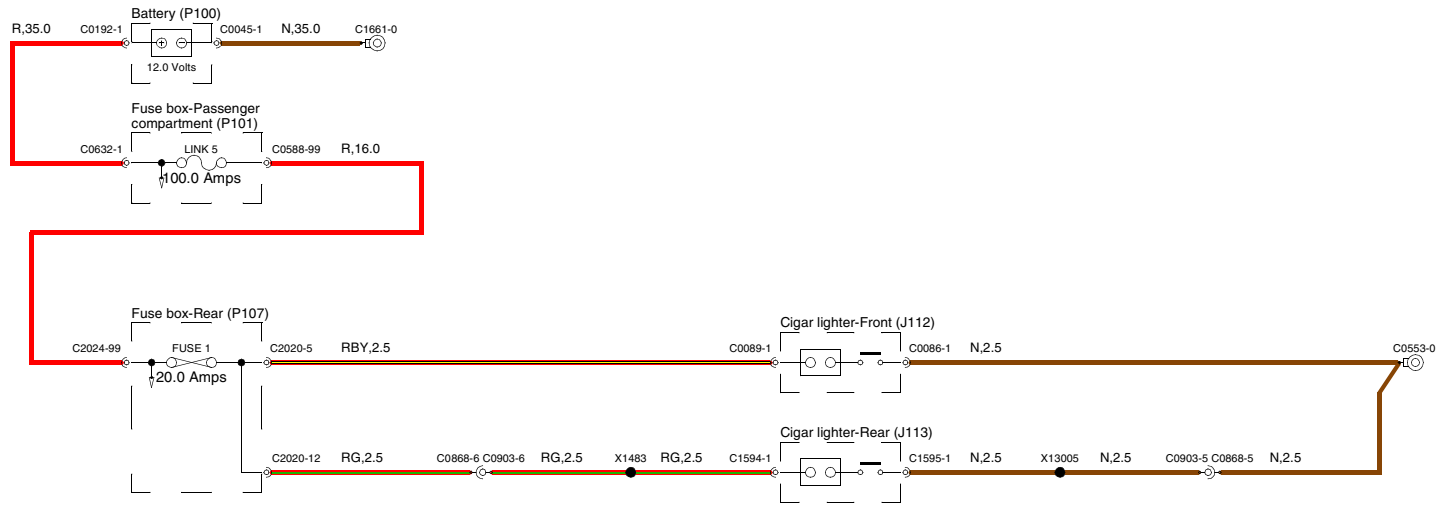
48 HORN (S)



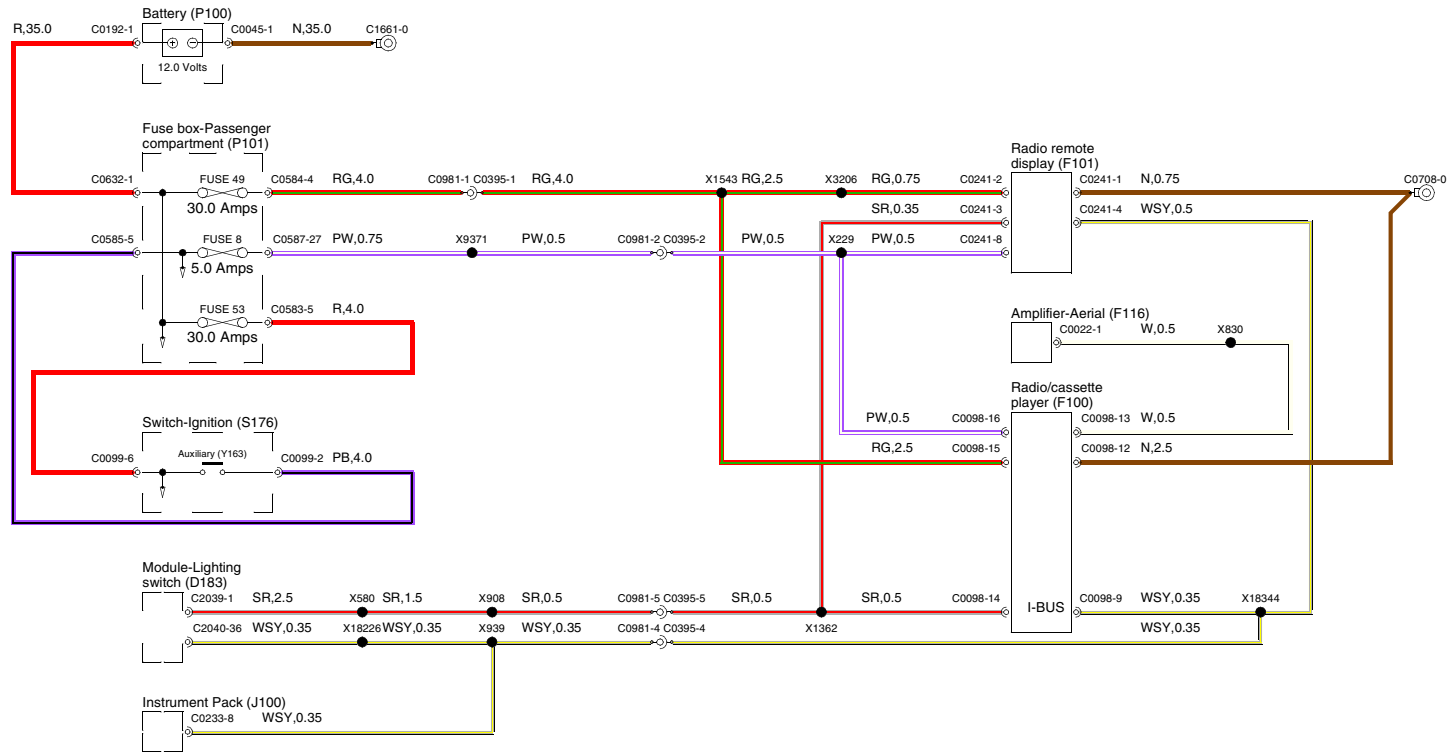
49 ACCESSORY SOCKET

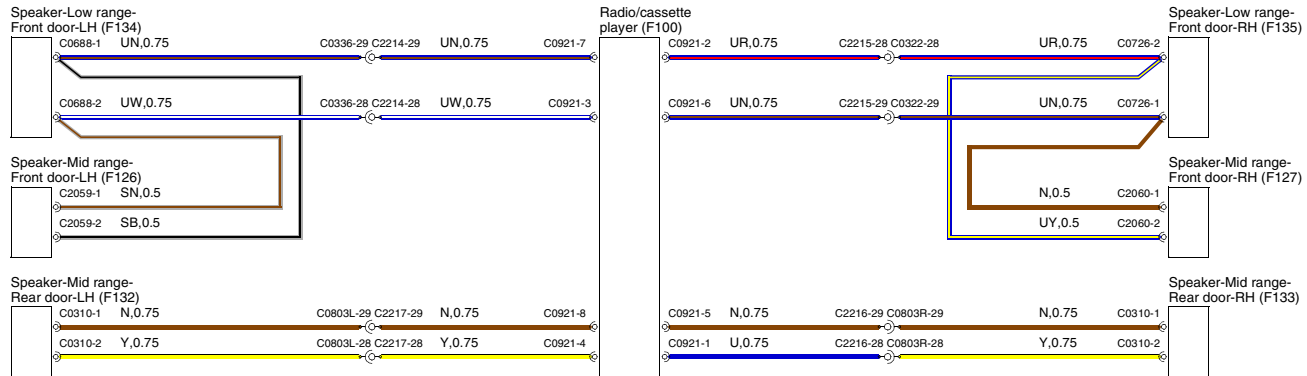


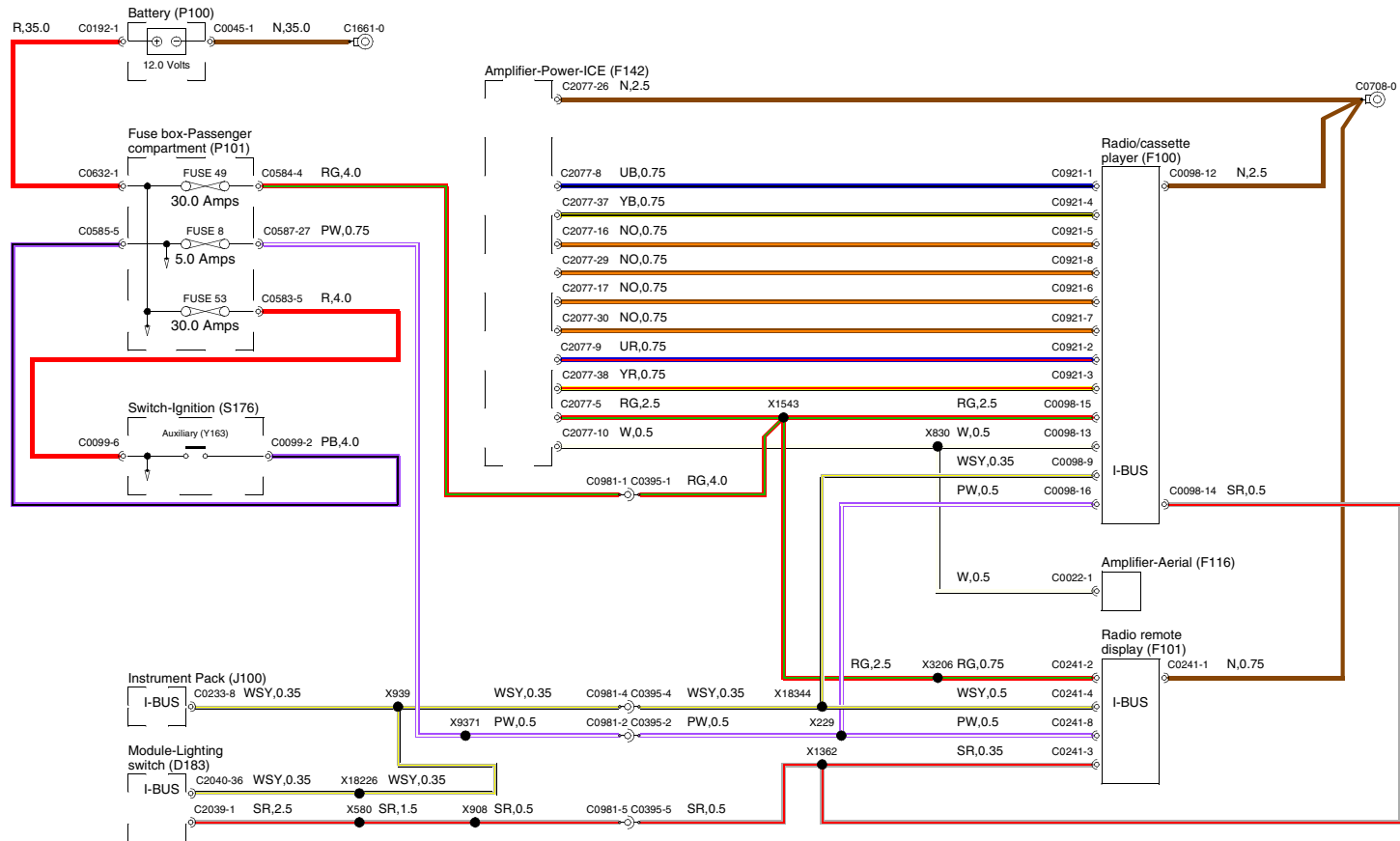
49 CIGAR LIGHTER

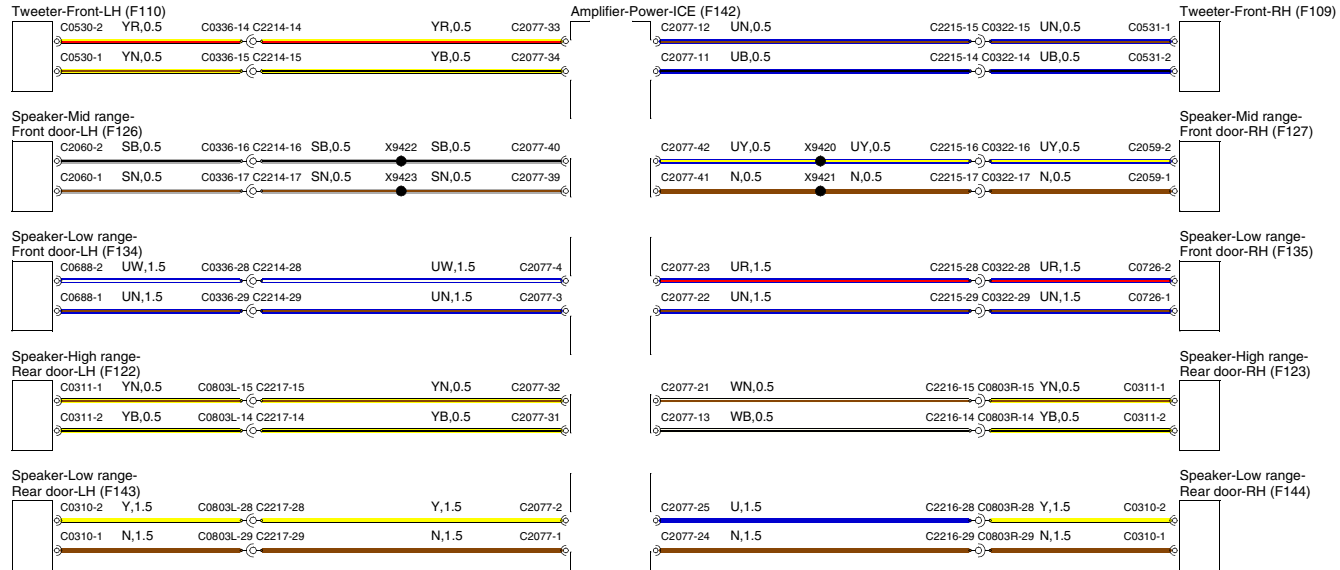


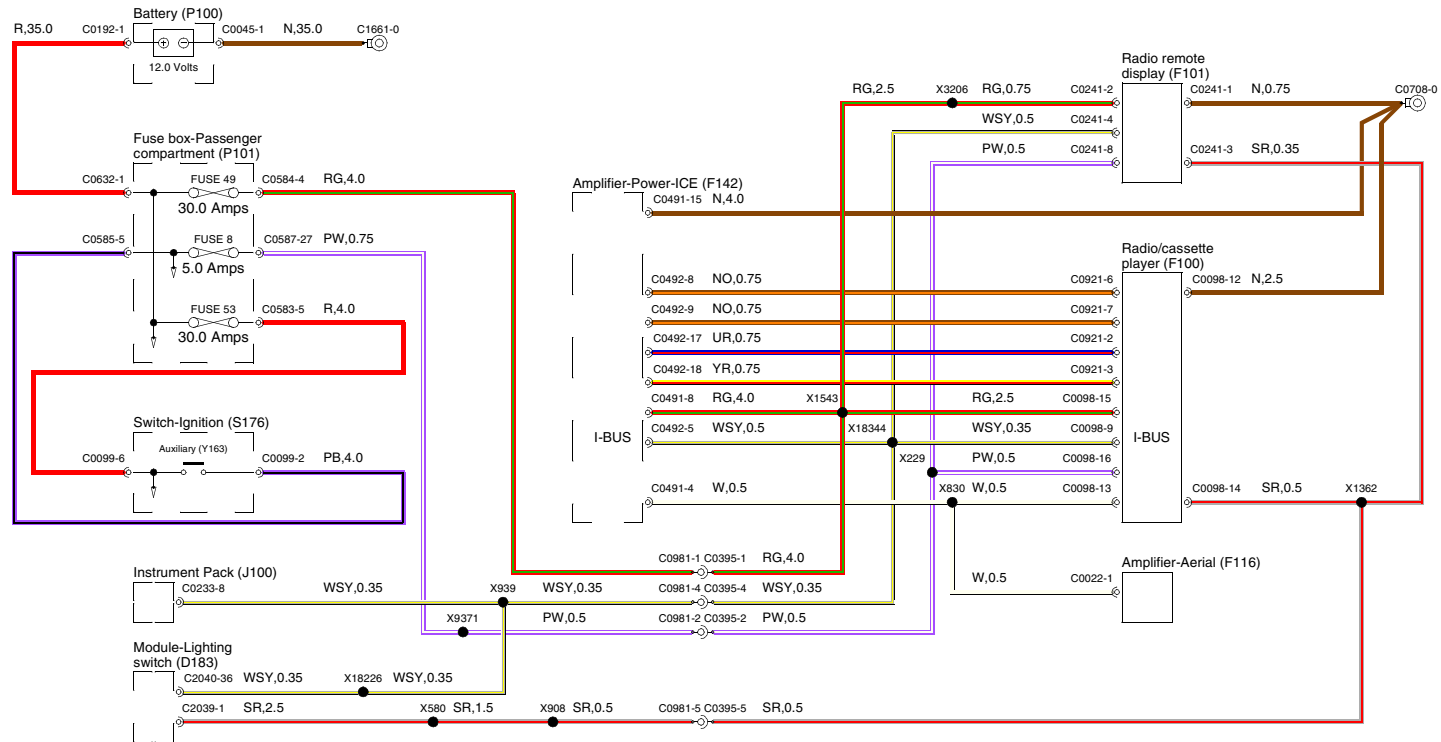
50 AUDIO SYSTEMS

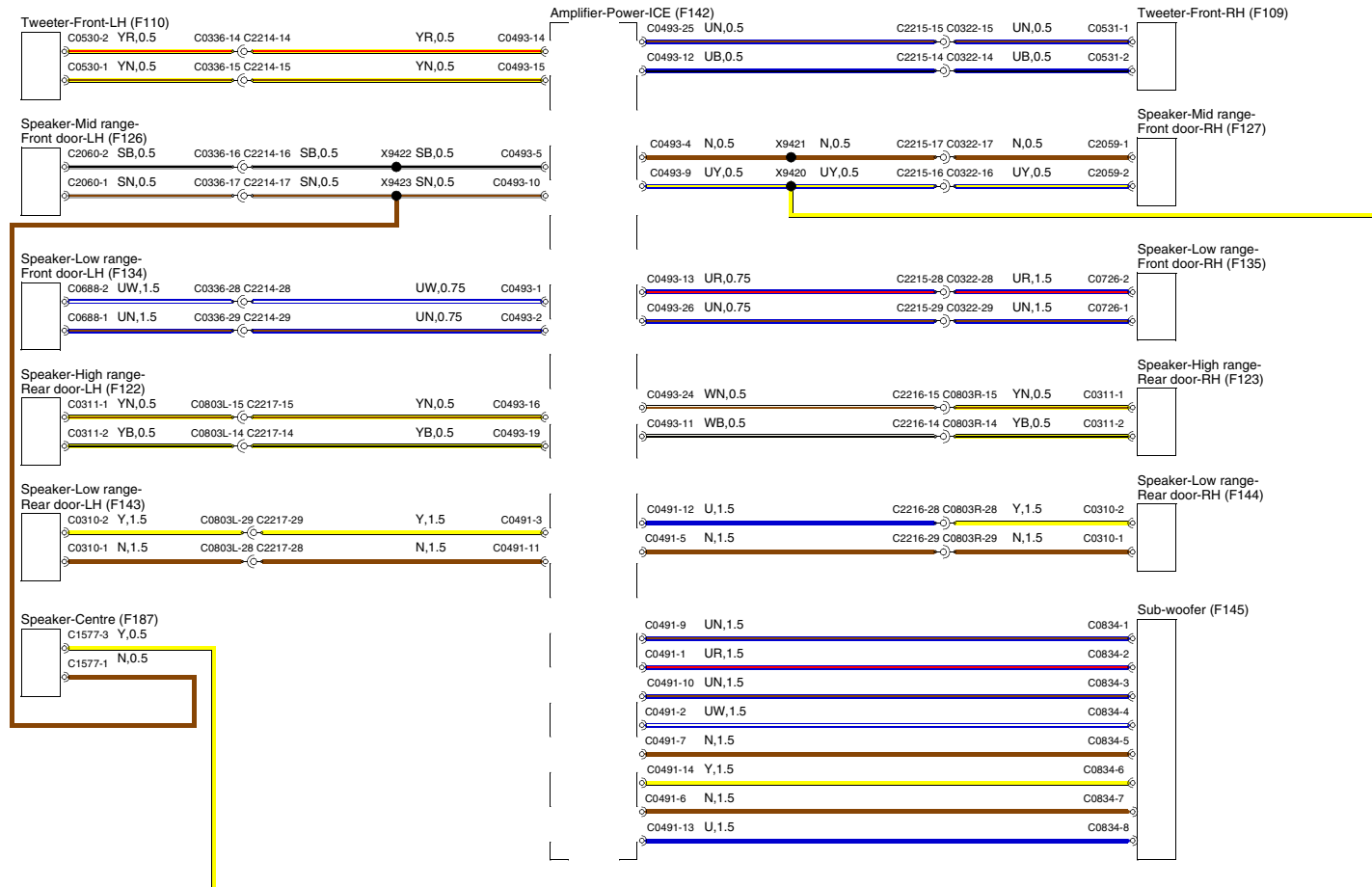


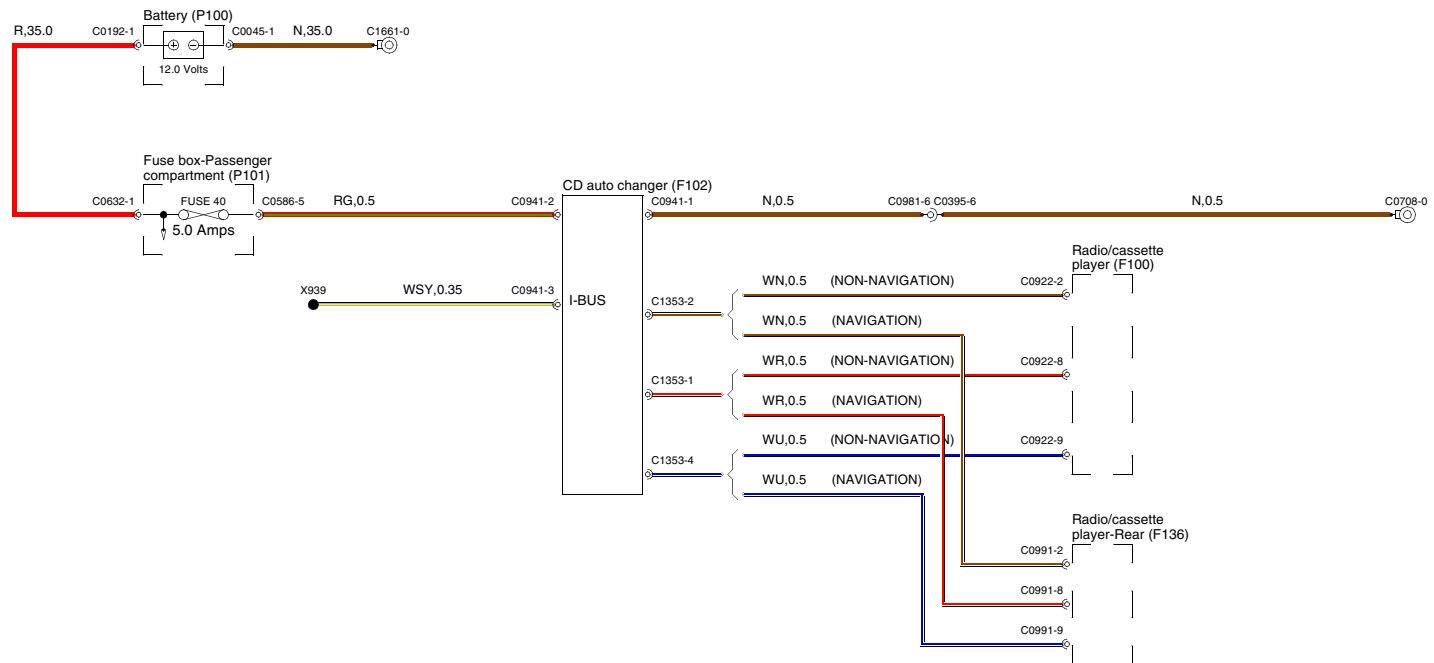


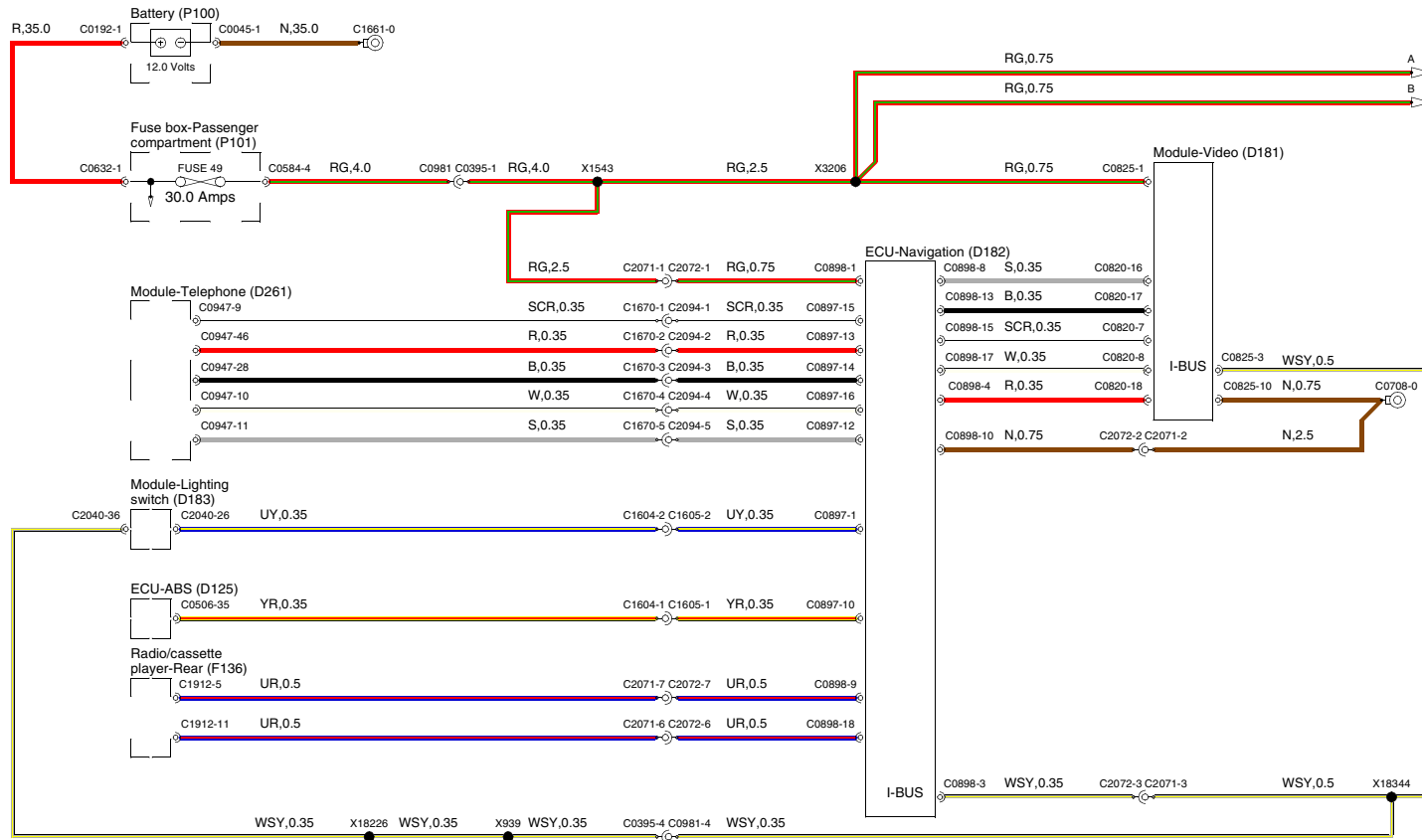


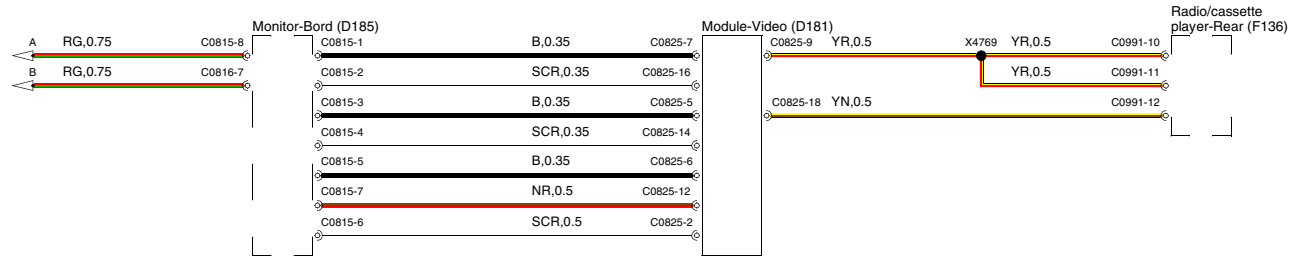


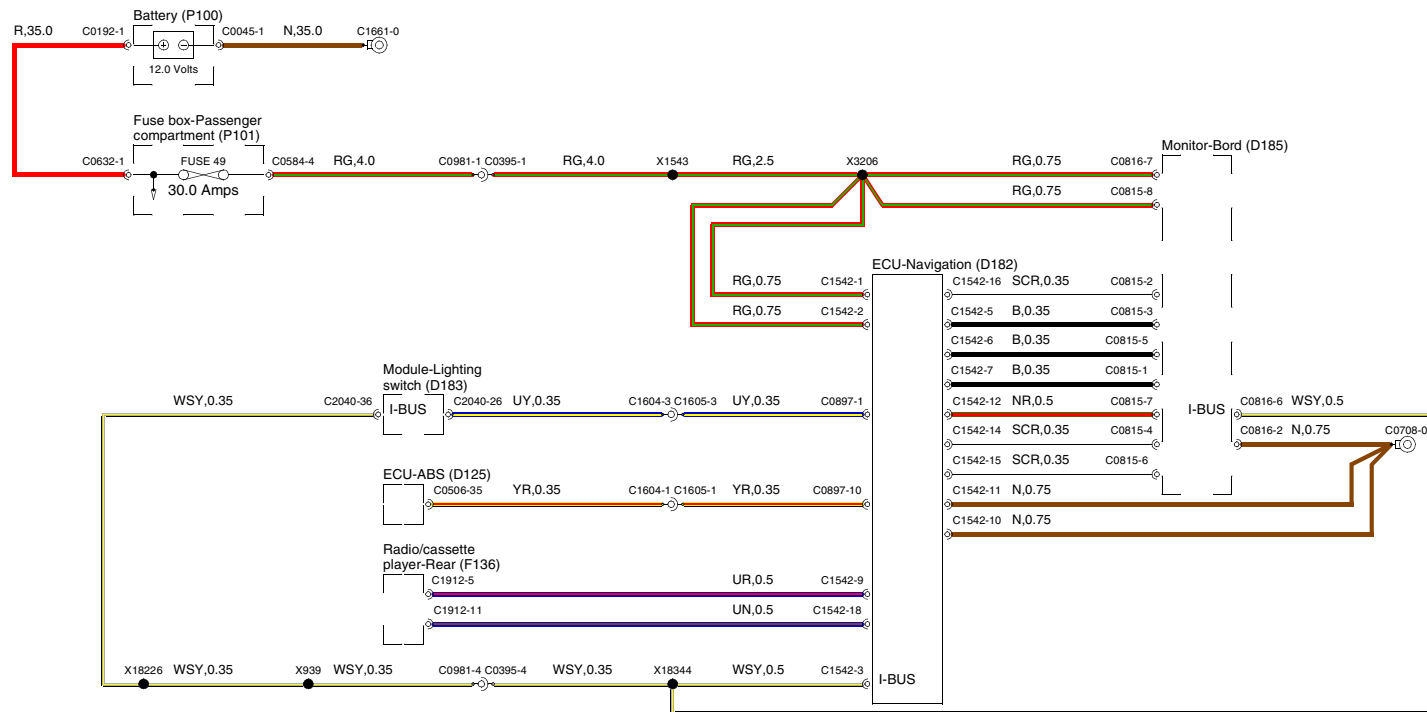


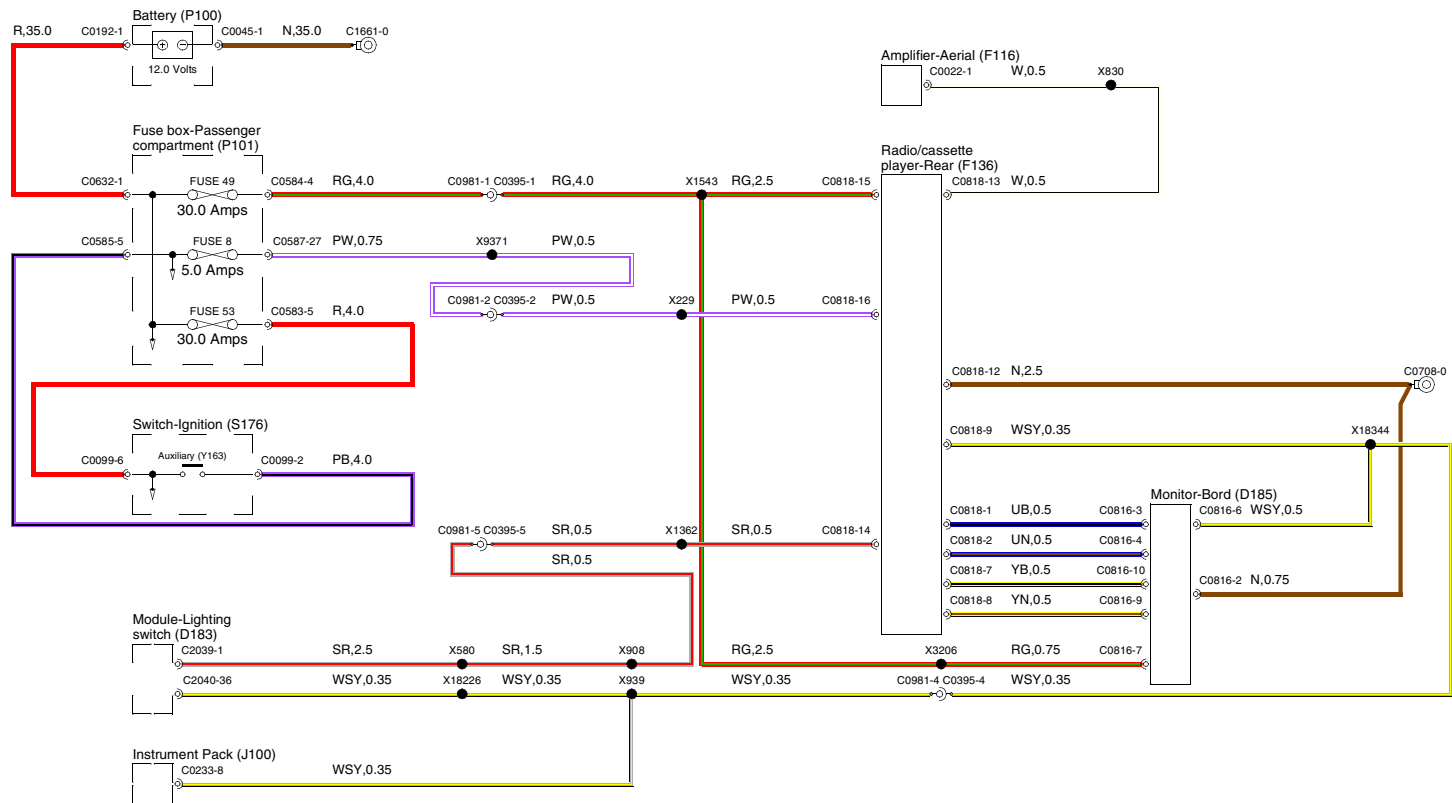


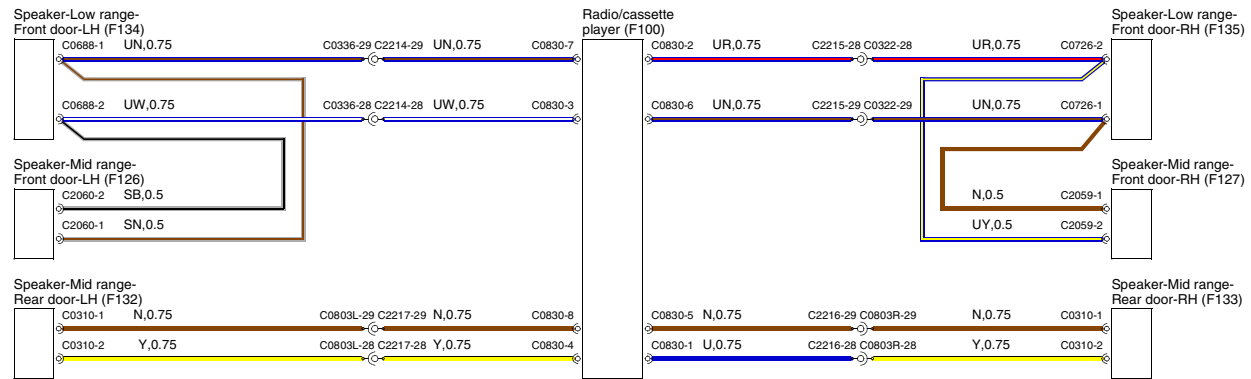


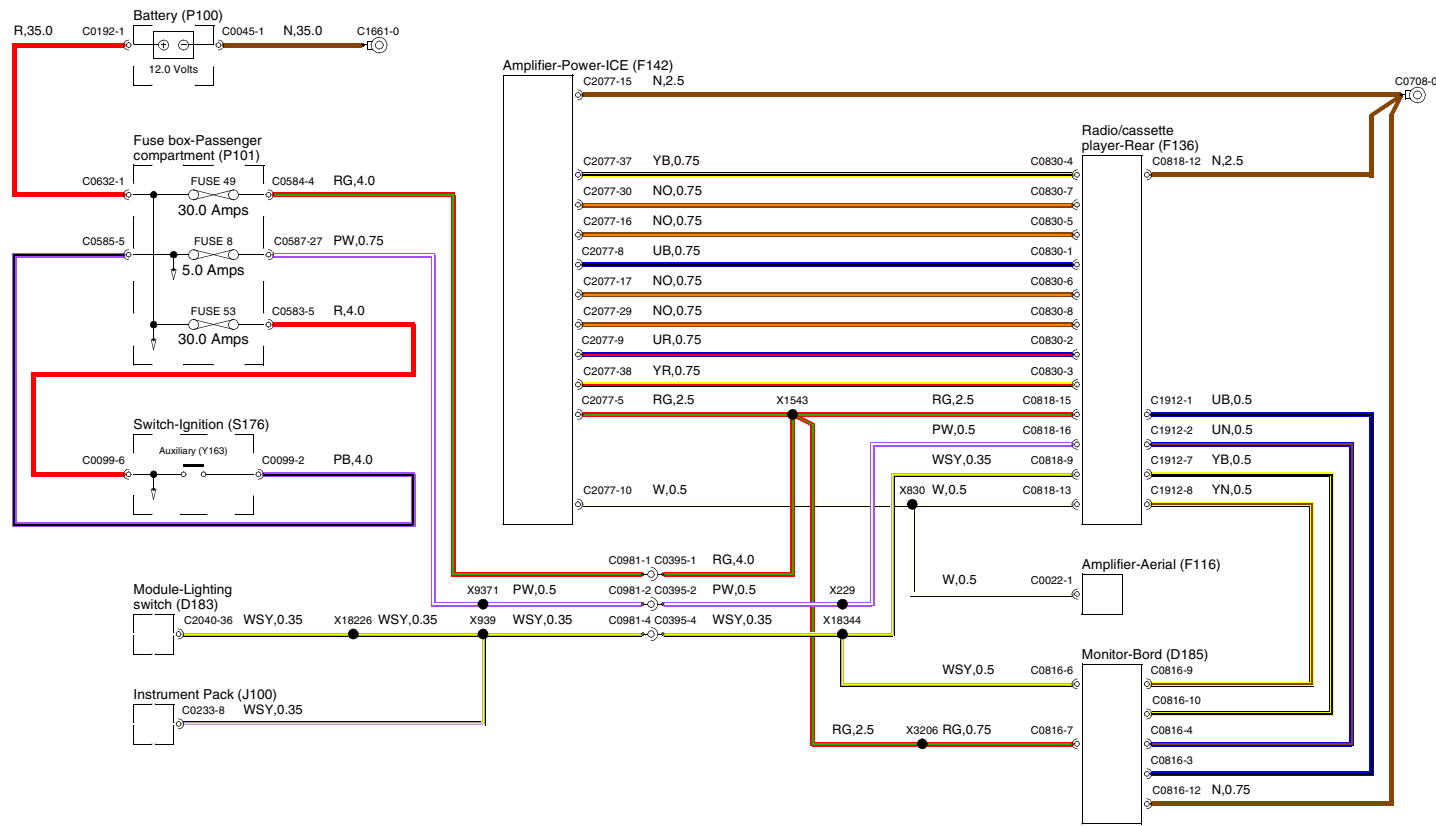


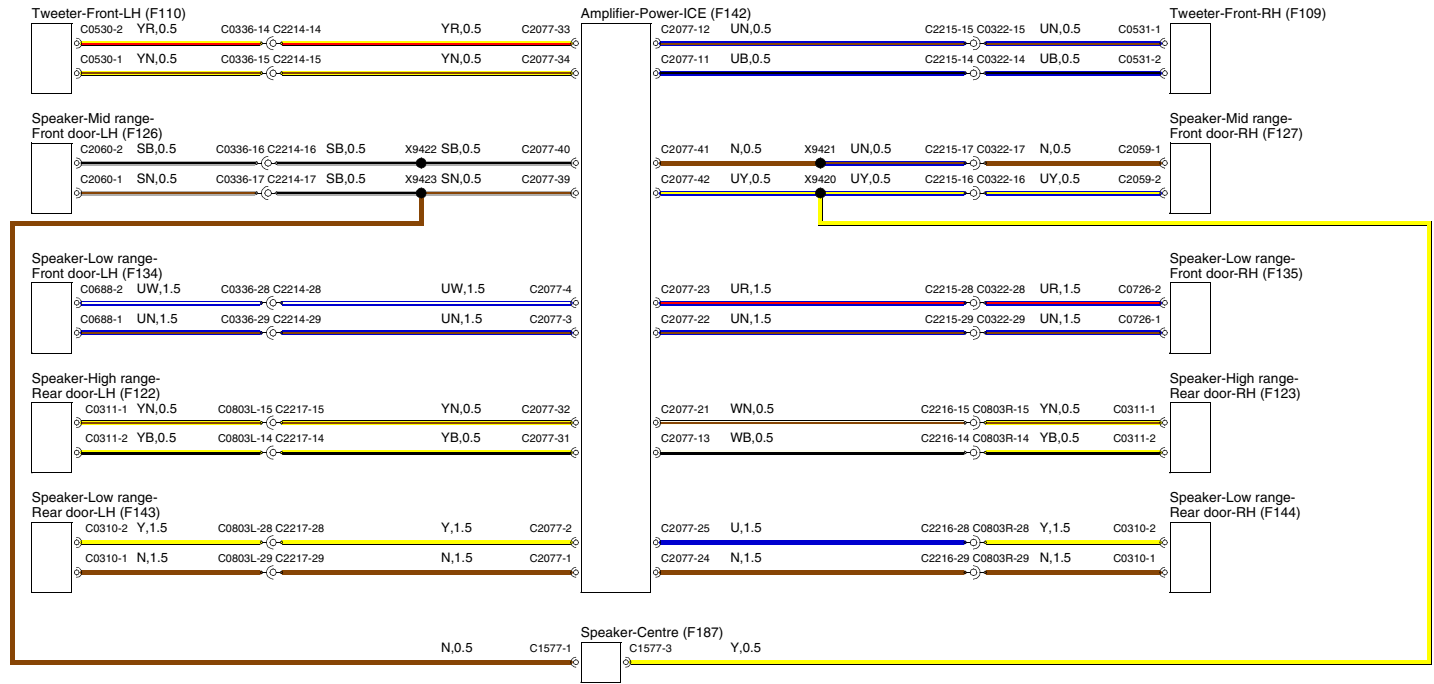


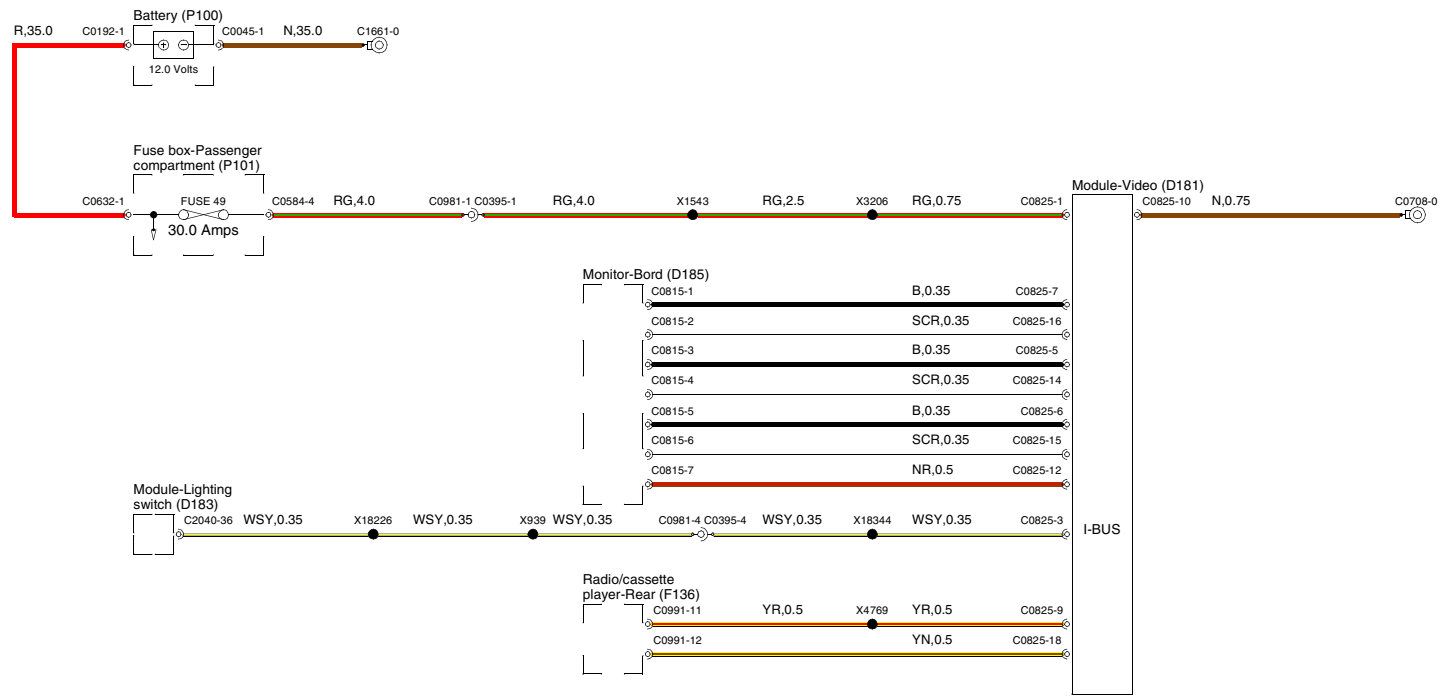


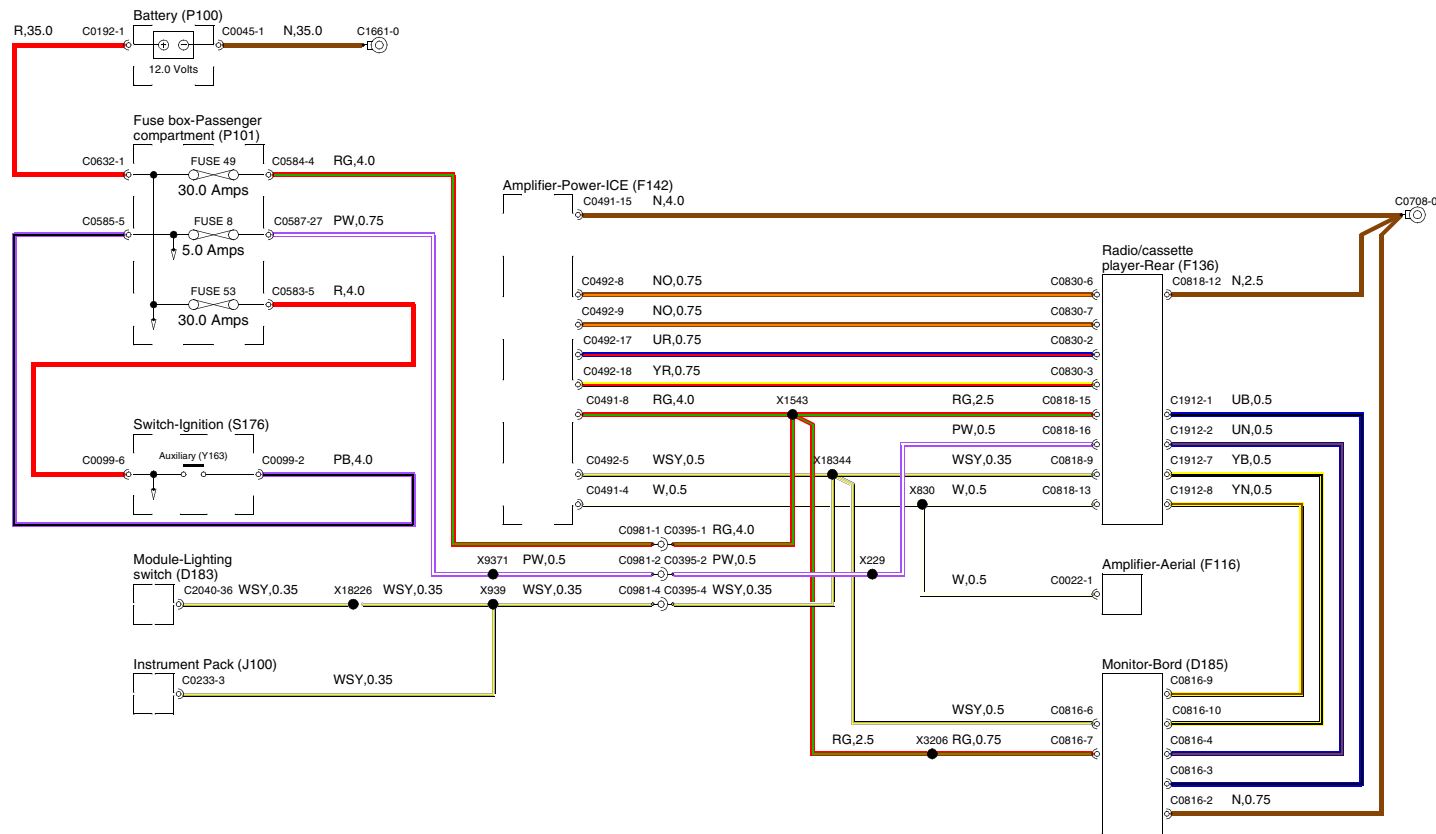


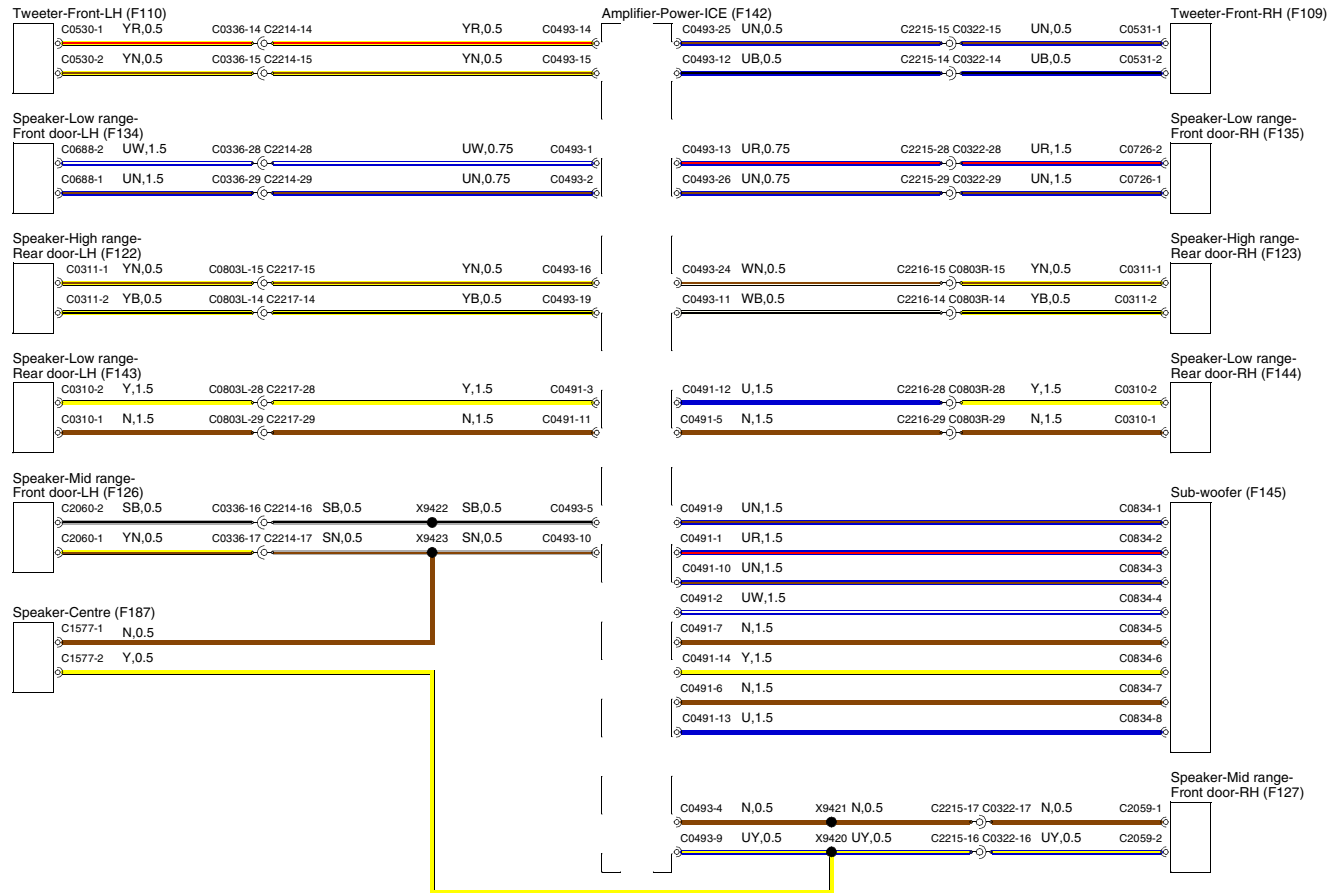


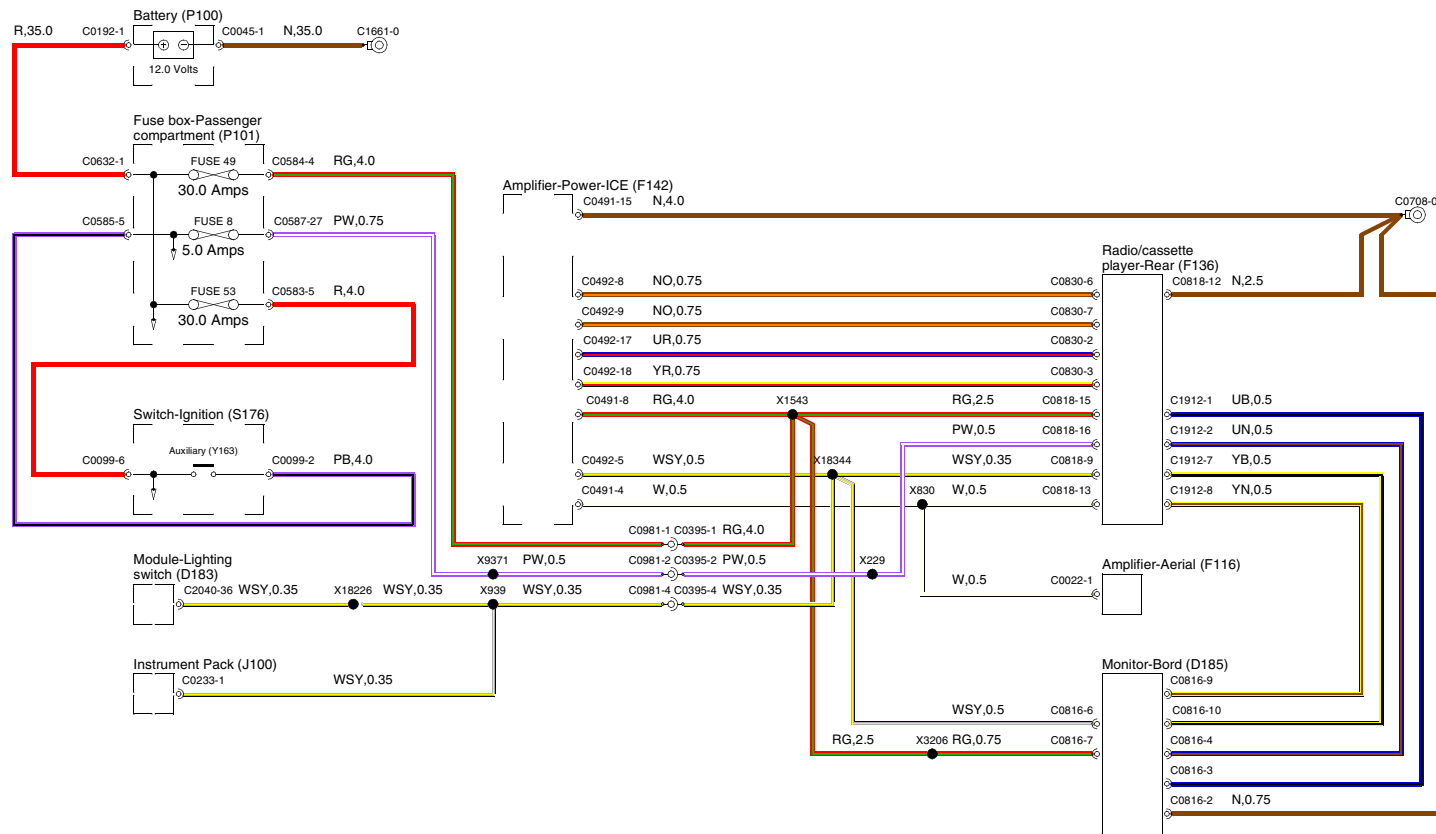


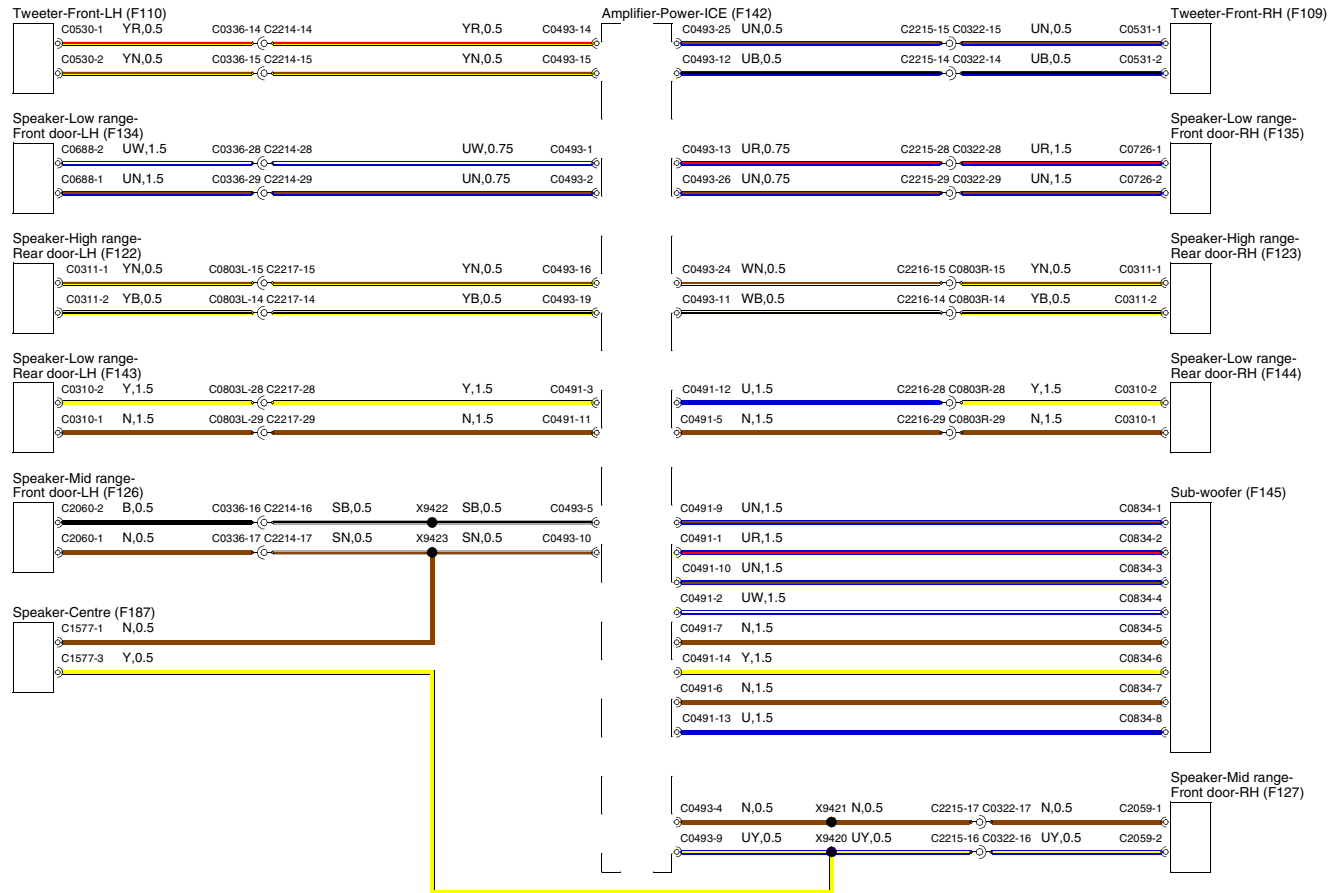




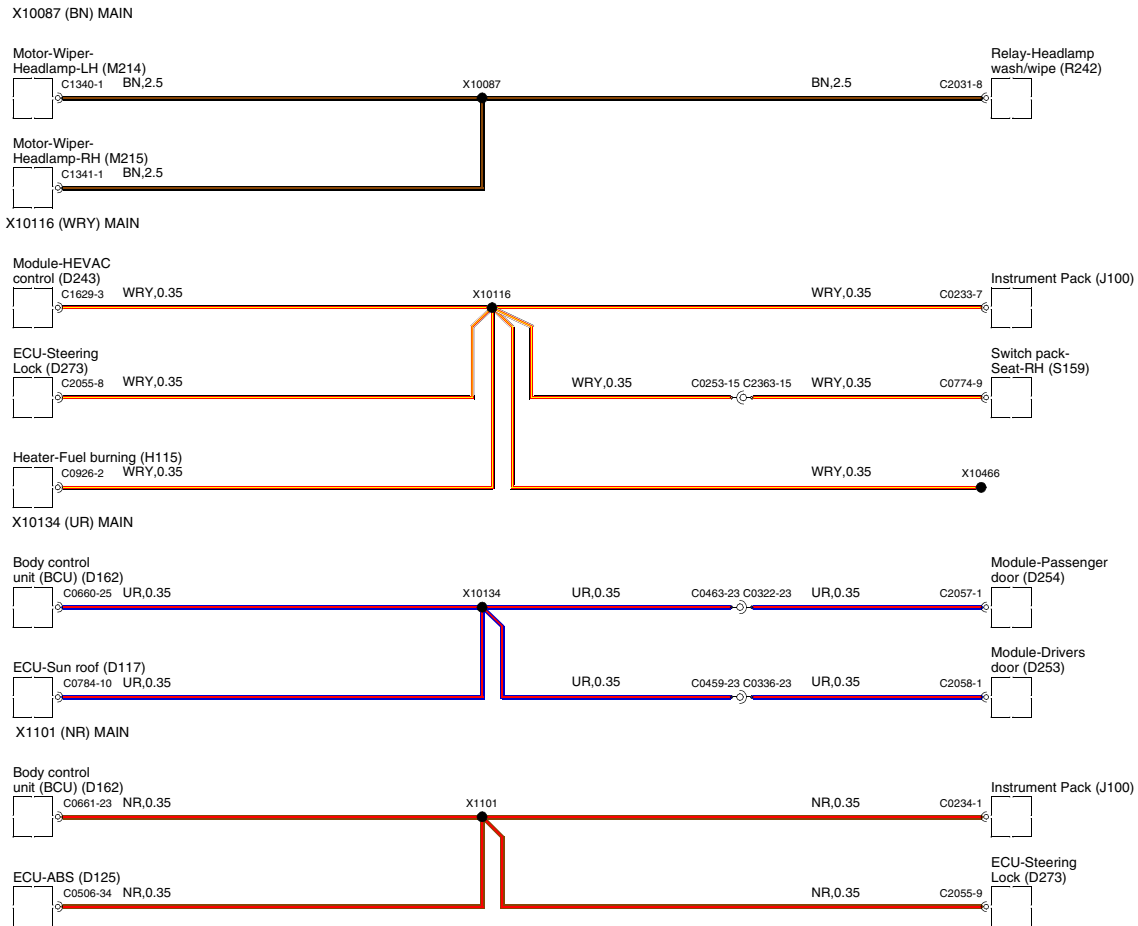






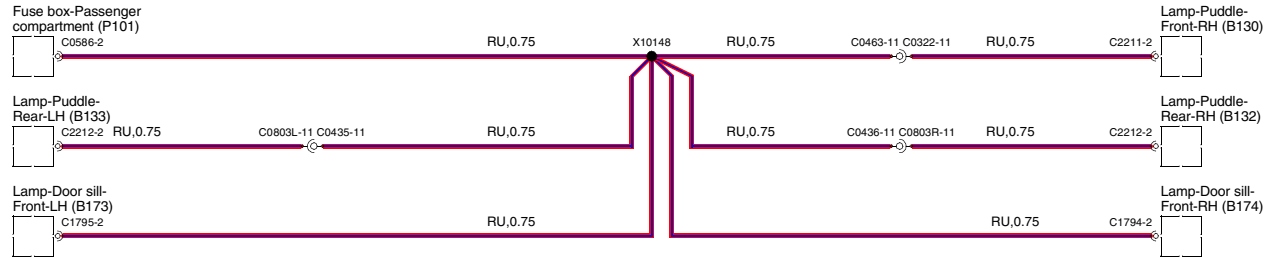


65 SPLICES AND CENTRE TAPS

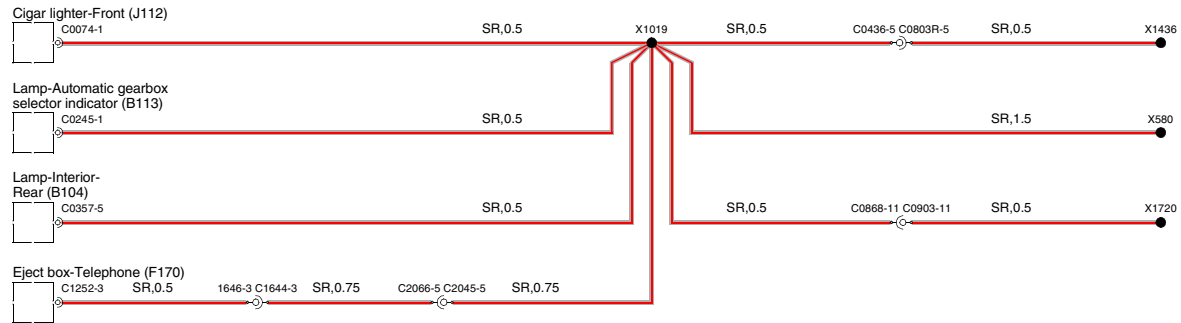


65 SPLICES AND CENTRE TAPS

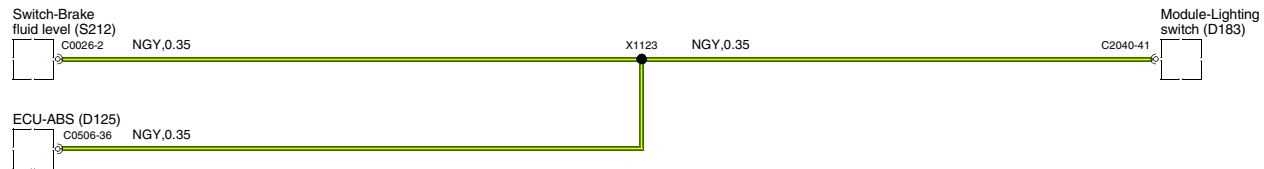
X10148 (RU) MAIN



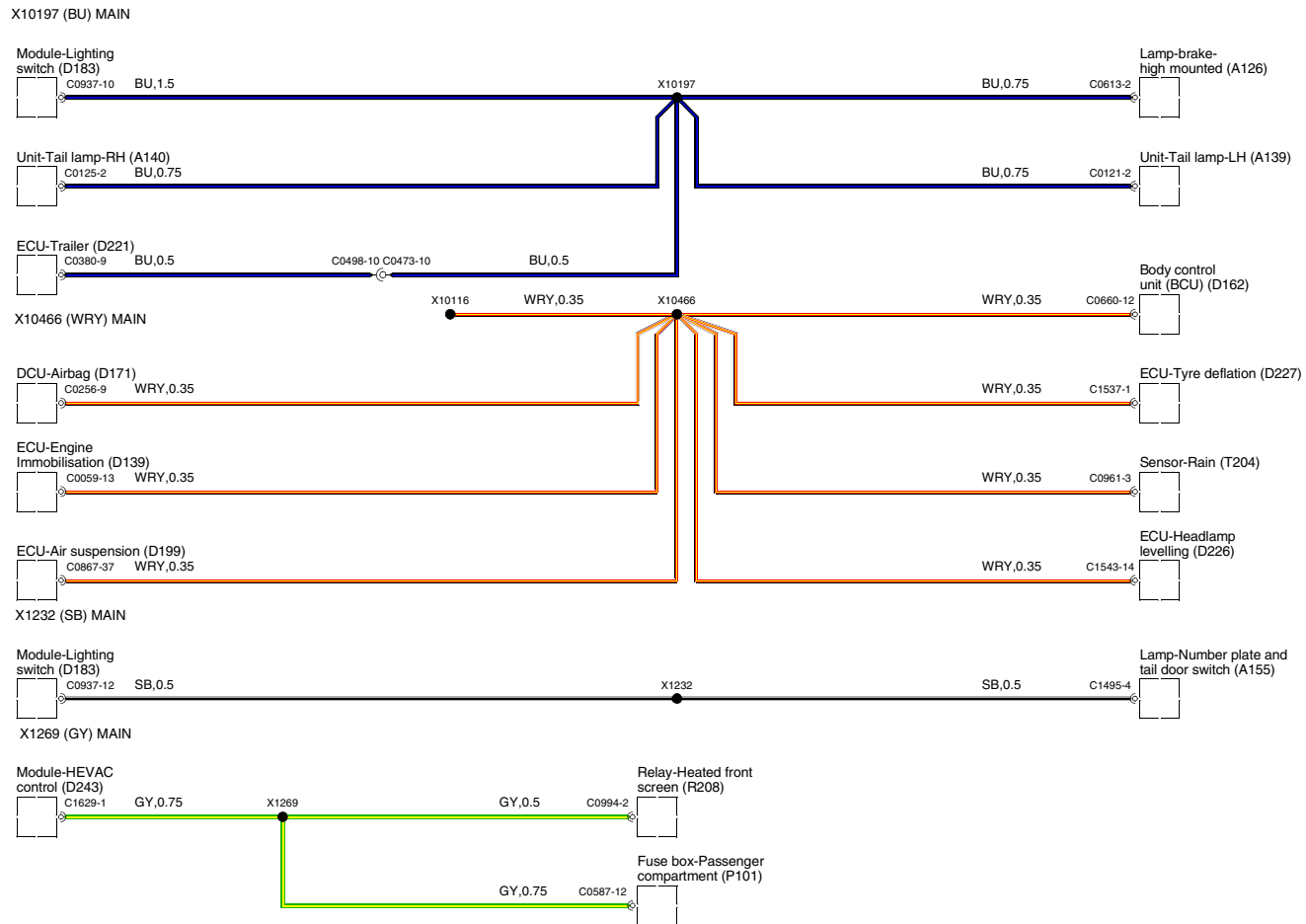
X1019 (SR) MAIN



X1123 (NGY) MAIN

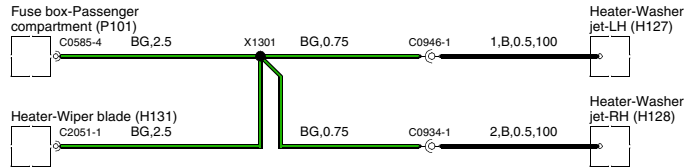


65 SPLICES AND CENTRE TAPS

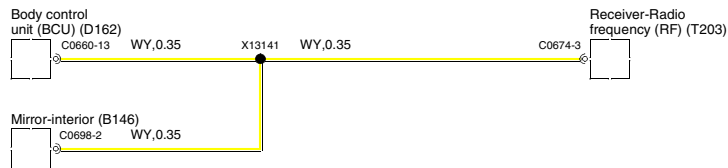


65 SPLICES AND CENTRE TAPS

X1301 (BG) MAIN



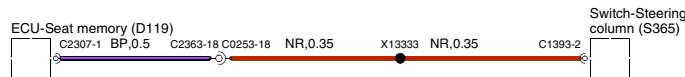
X13141 (WY) MAIN



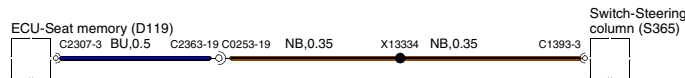
X13332 (NU) MAIN



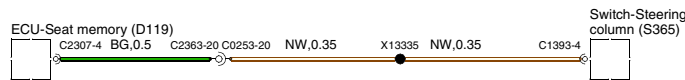
X13333 (NR) MAIN



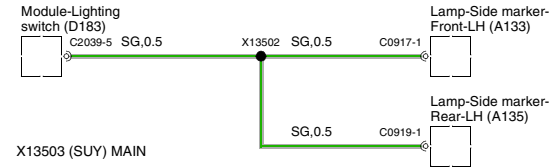
X13334 (NB) MAIN



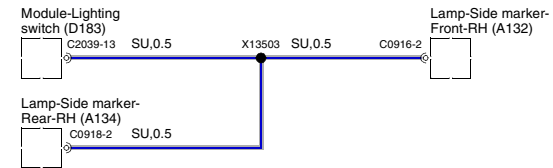
X13335 (NW) MAIN



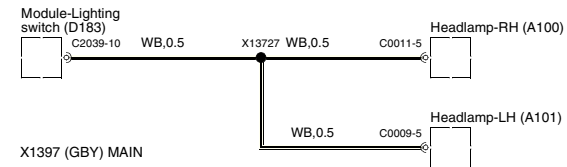
X13502 (SG) MAIN



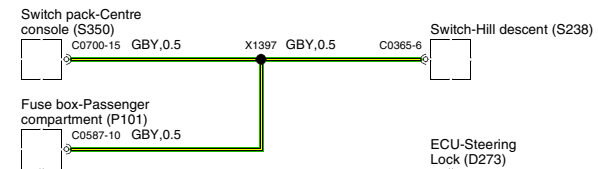
X13503 (SUY) MAIN



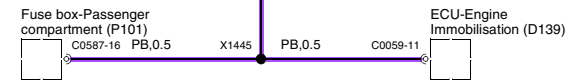
X13727 (WB) MAIN



X1397 (GBY) MAIN

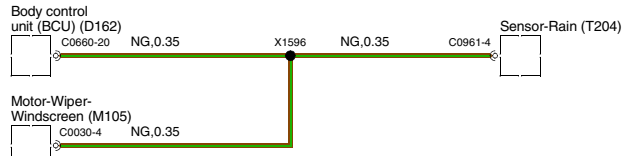


X1445 (PB) MAIN

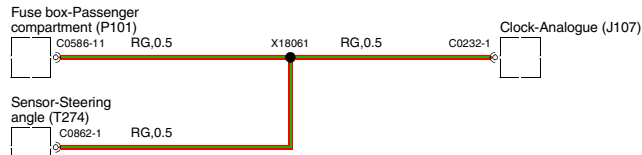


65 SPLICES AND CENTRE TAPS

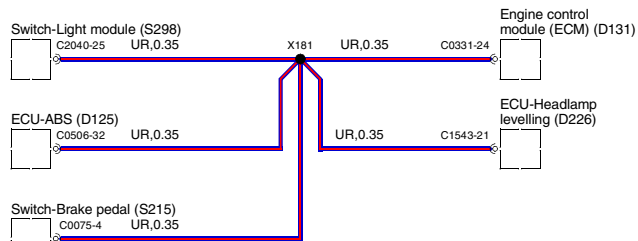
X1596 (NG) MAIN



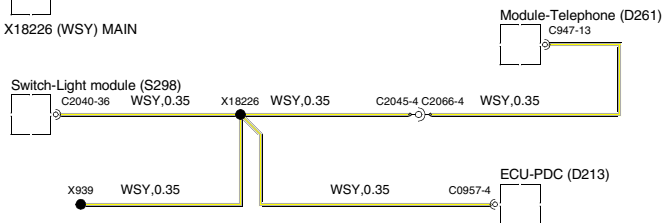
X18061 (RG) MAIN



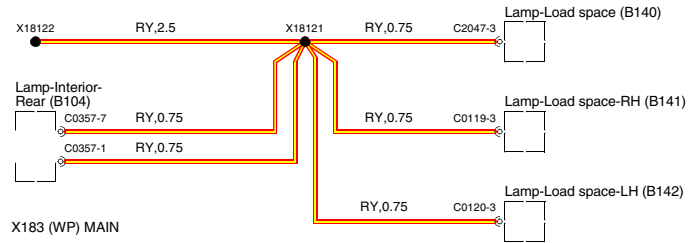
X181 (UR) MAIN



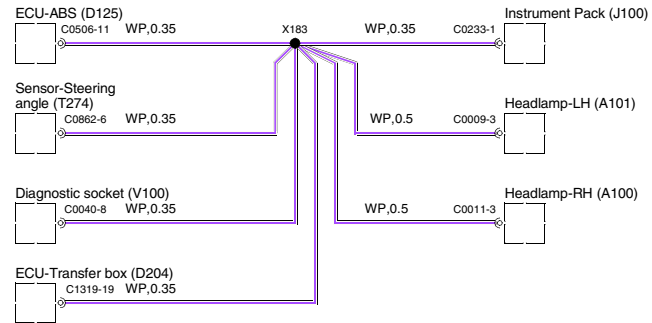
X18226 (WSY) MAIN



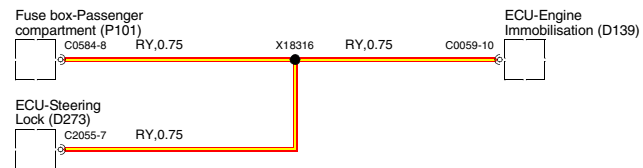
X18121 (RY) MAIN



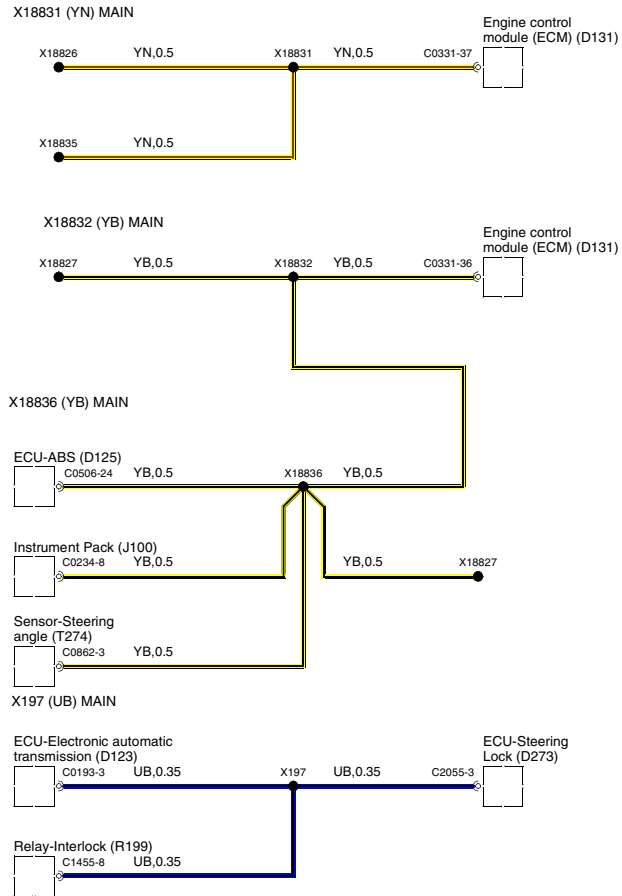
X183 (WP) MAIN



X18316 (RY) MAIN

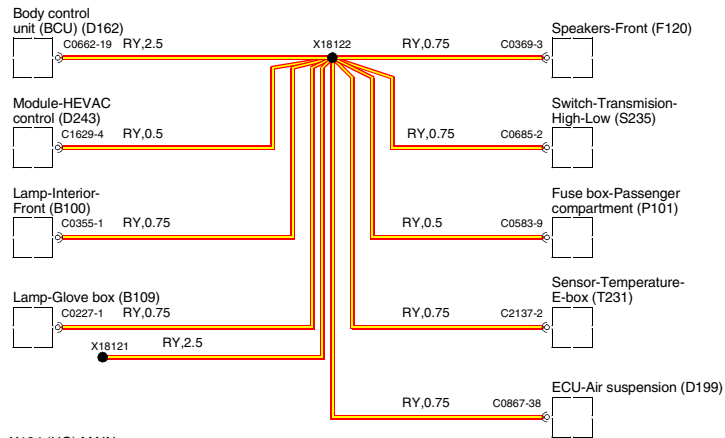


65 SPLICES AND CENTRE TAPS

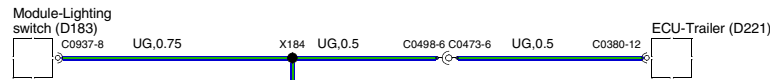


65 SPLICES AND CENTRE TAPS

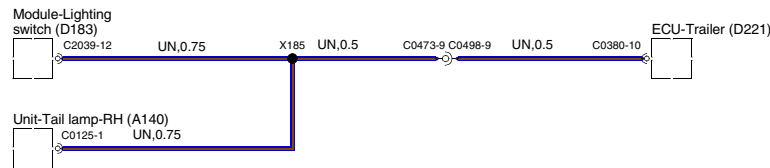
X18122 (RY) MAIN



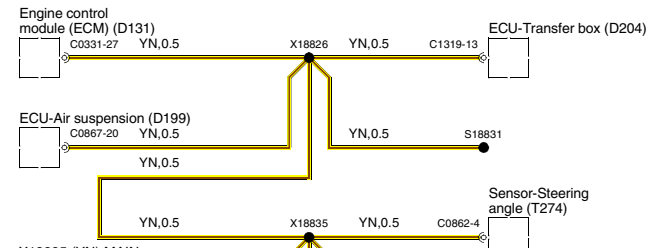
X184 (UG) MAIN



X185 (UN) MAIN



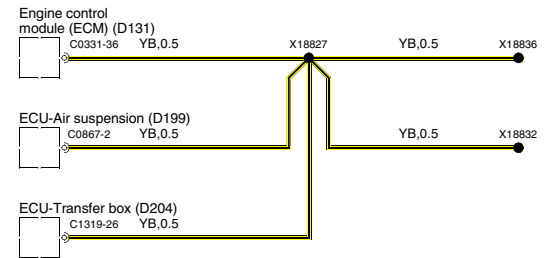
X18826 (YN) MAIN



X18825 (YN) MAIN

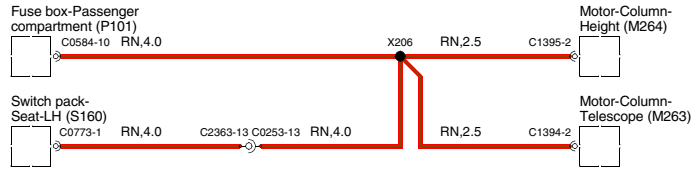


X18827 (YB) MAIN

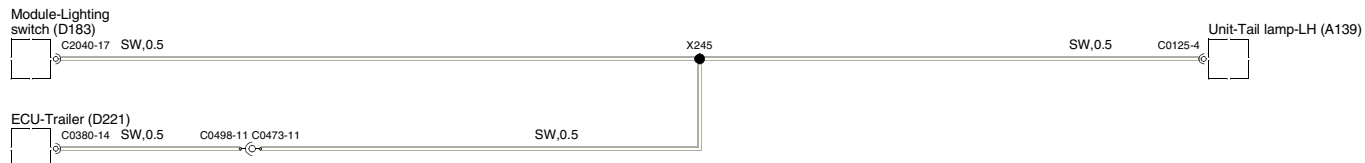


65 SPLICES AND CENTRE TAPS

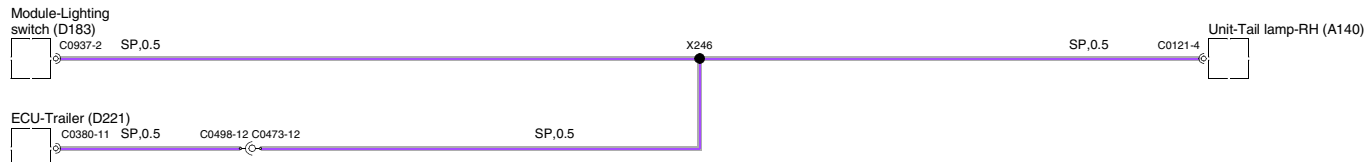
X206 (RN) MAIN



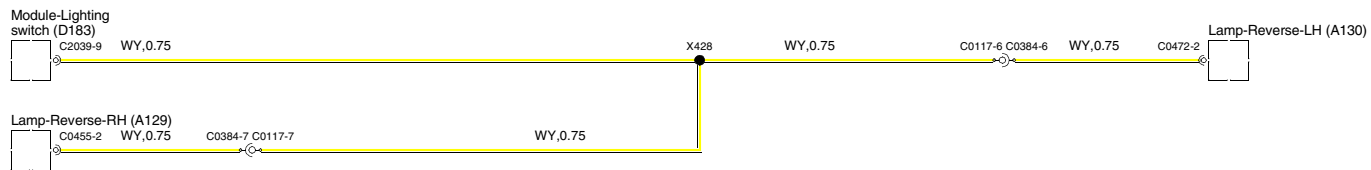
X245 (SW) MAIN



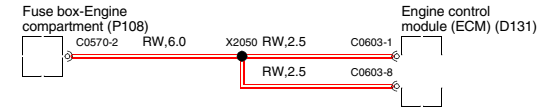
X246 (SP) MAIN



X428 (WY) MAIN

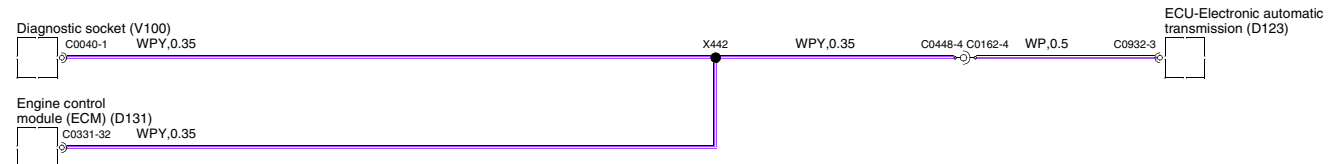


X2050 (R) Td6 ENG

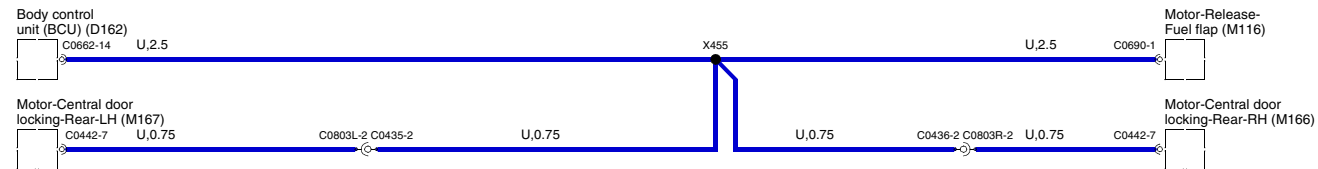


65 SPLICES AND CENTRE TAPS

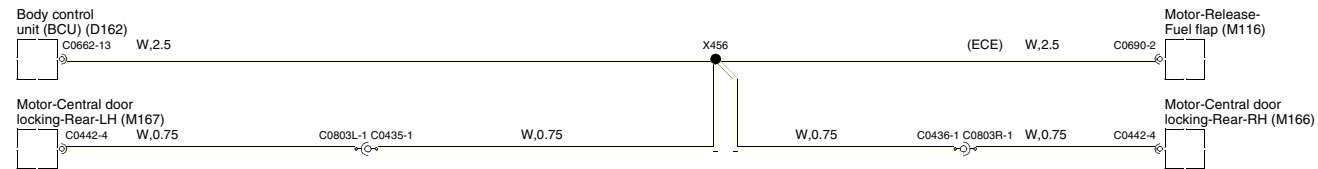
X442 (WPY) MAIN



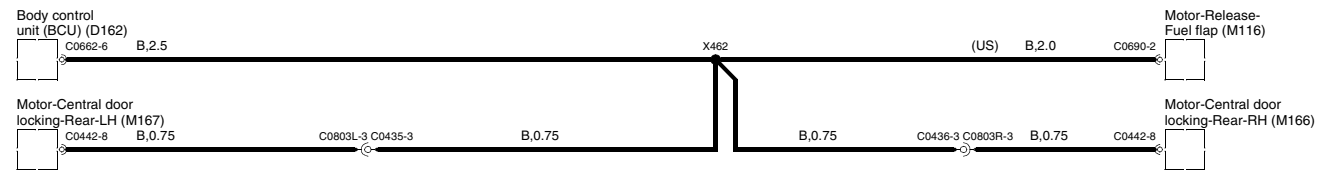
X455 (U) MAIN



X456 (W) MAIN

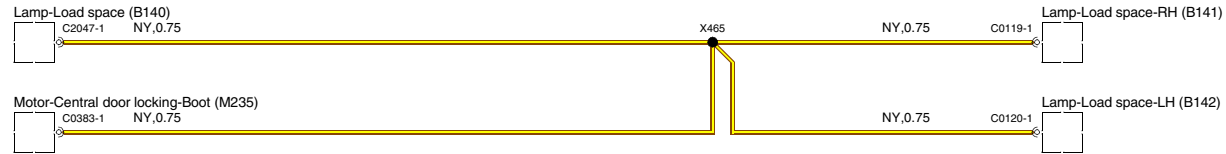


X462 (B) MAIN

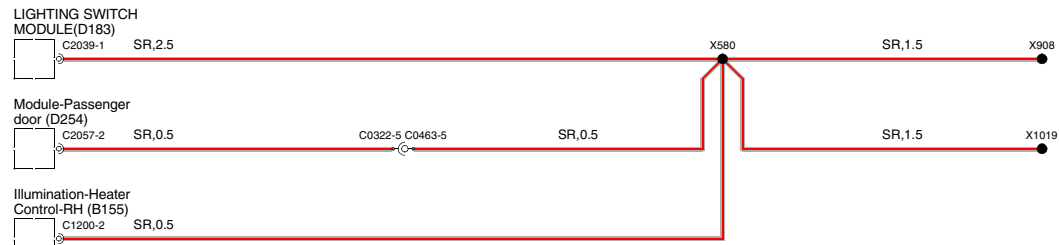


65 SPLICES AND CENTRE TAPS

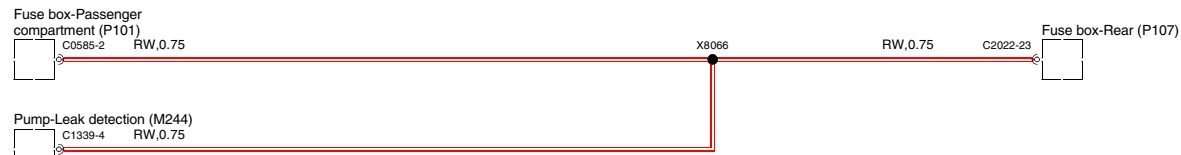
X465 (NY) MAIN



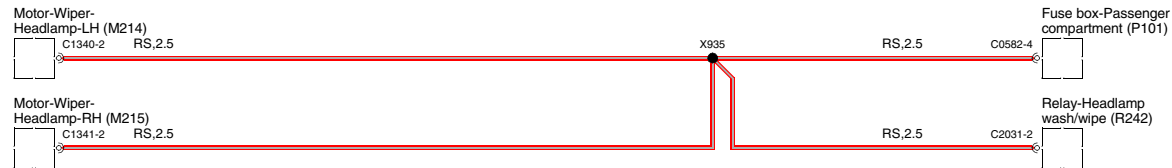
X580 (SR) MAIN



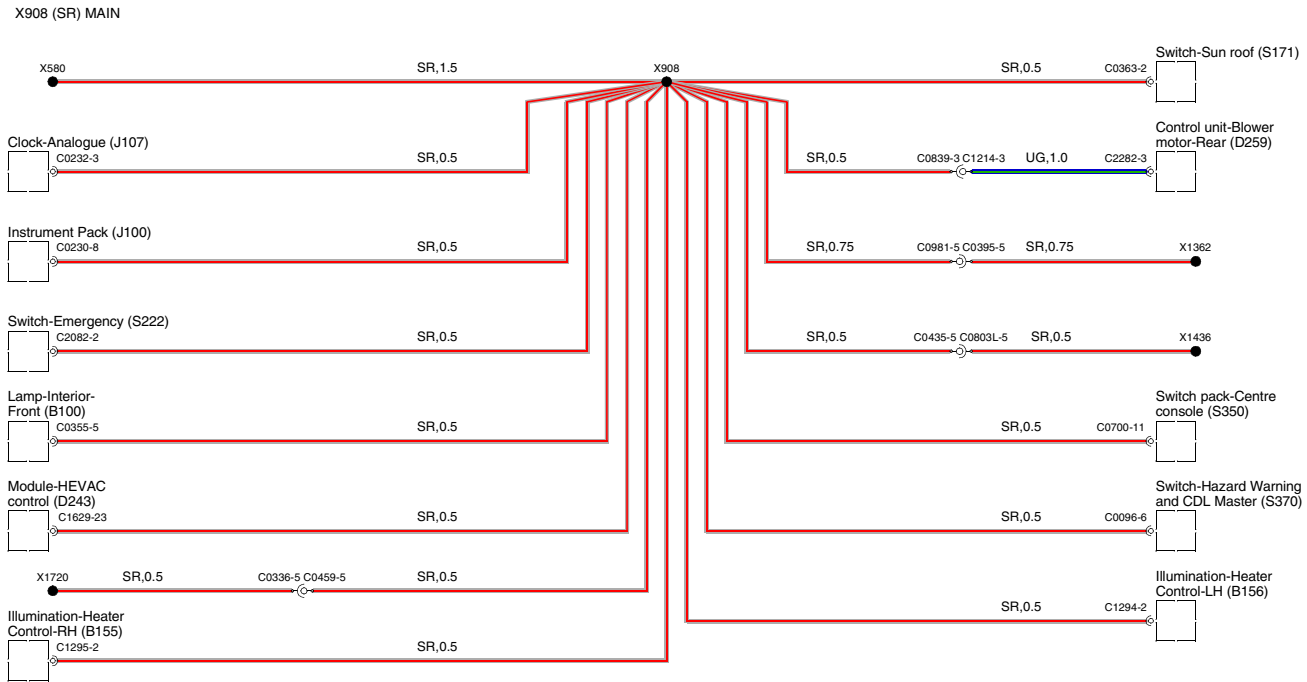
X8066 (RW) MAIN



X935 (RS) MAIN

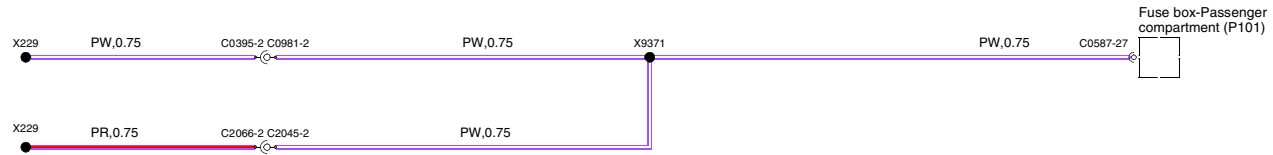


65 SPLICES AND CENTRE TAPS

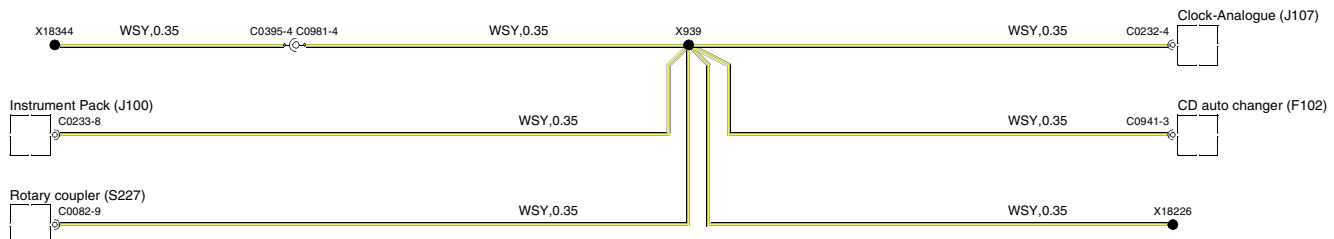


65 SPLICES AND CENTRE TAPS

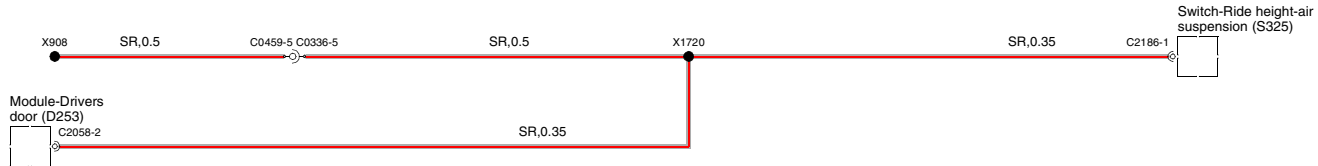
X9371 (PW) MAIN



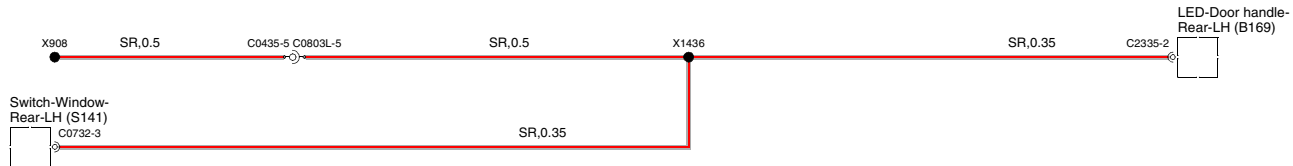
X939 (WSY) MAIN



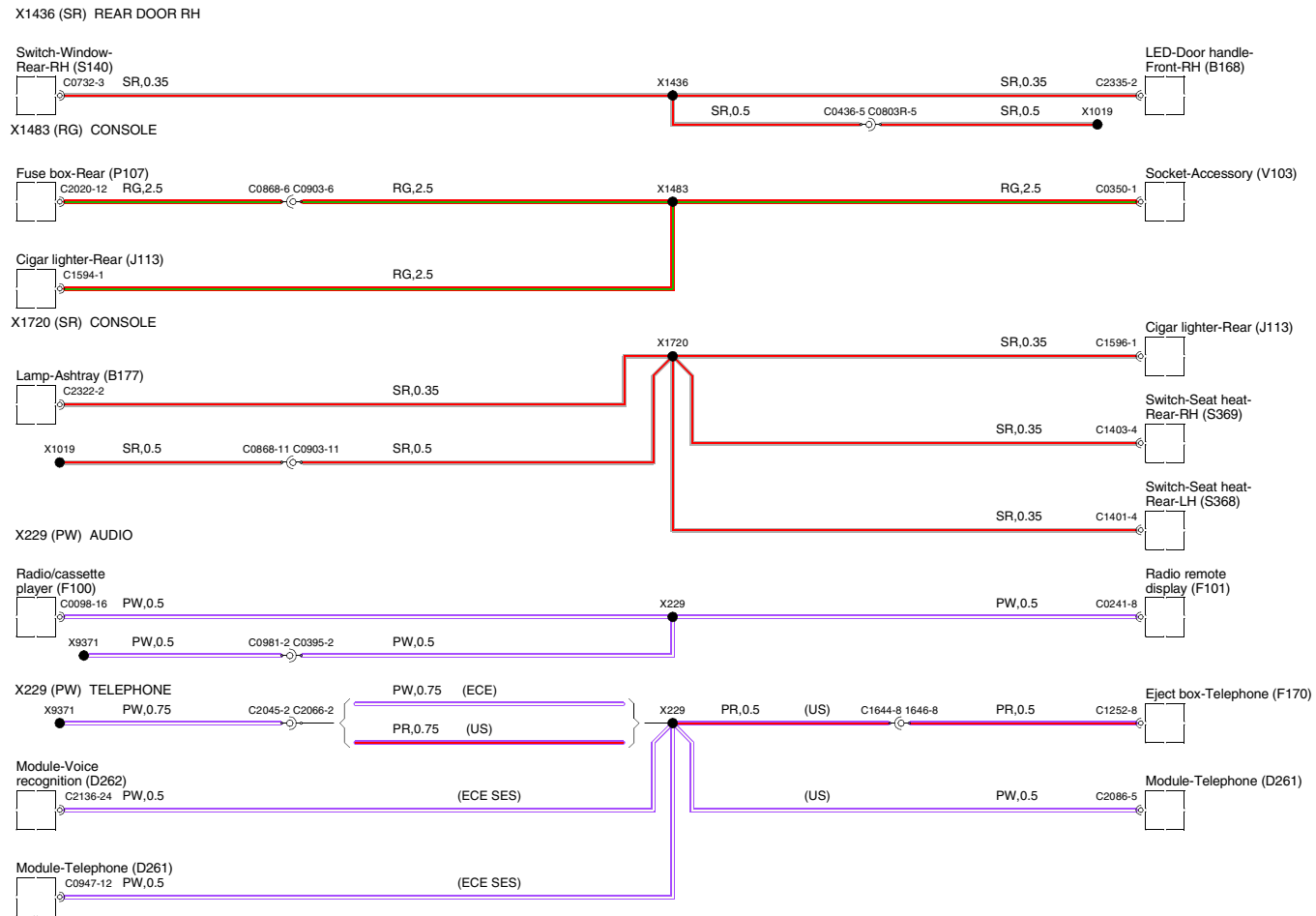
X1720 (SR) DRIVERS DOOR

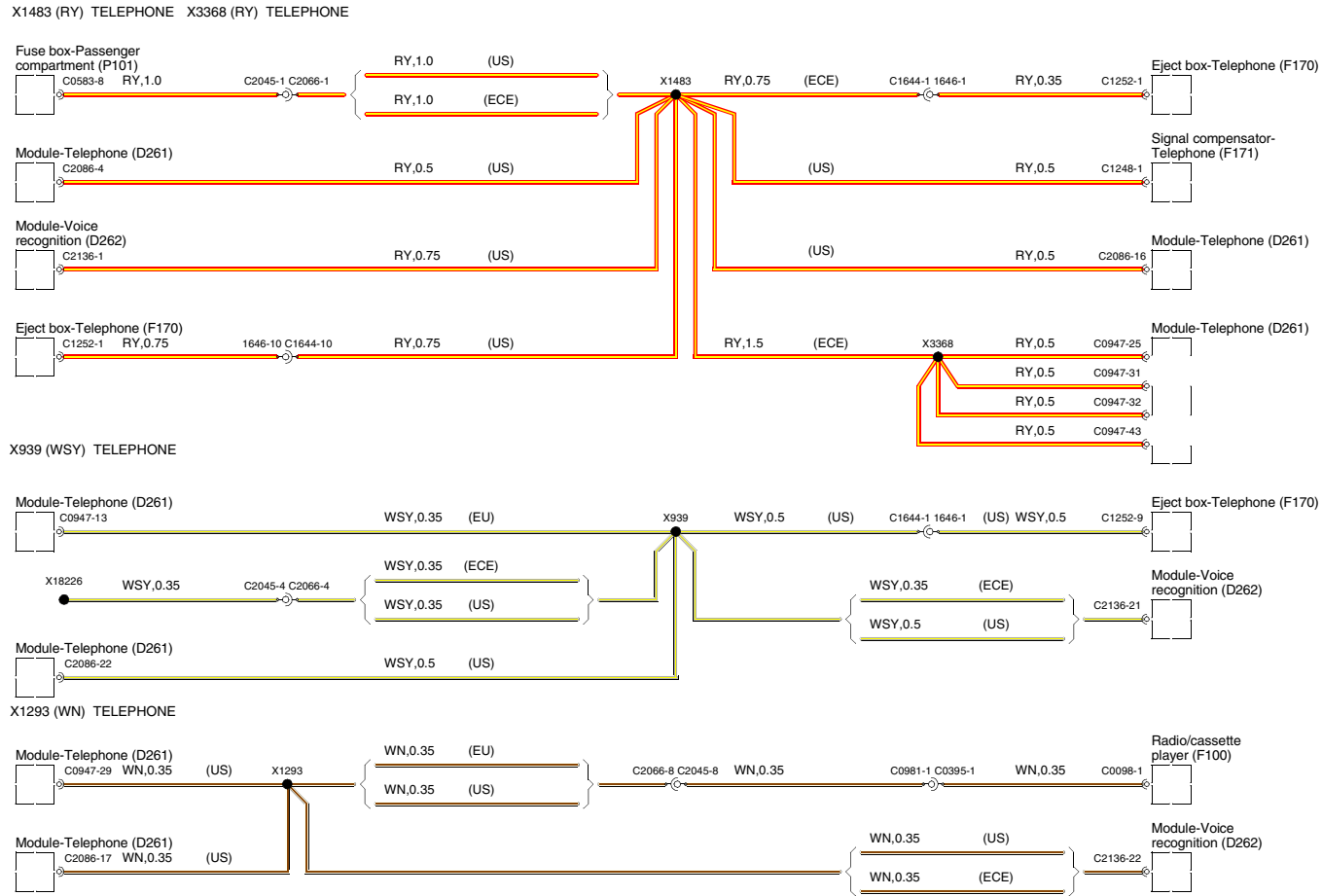


X1436 (SR) REAR DOOR LH

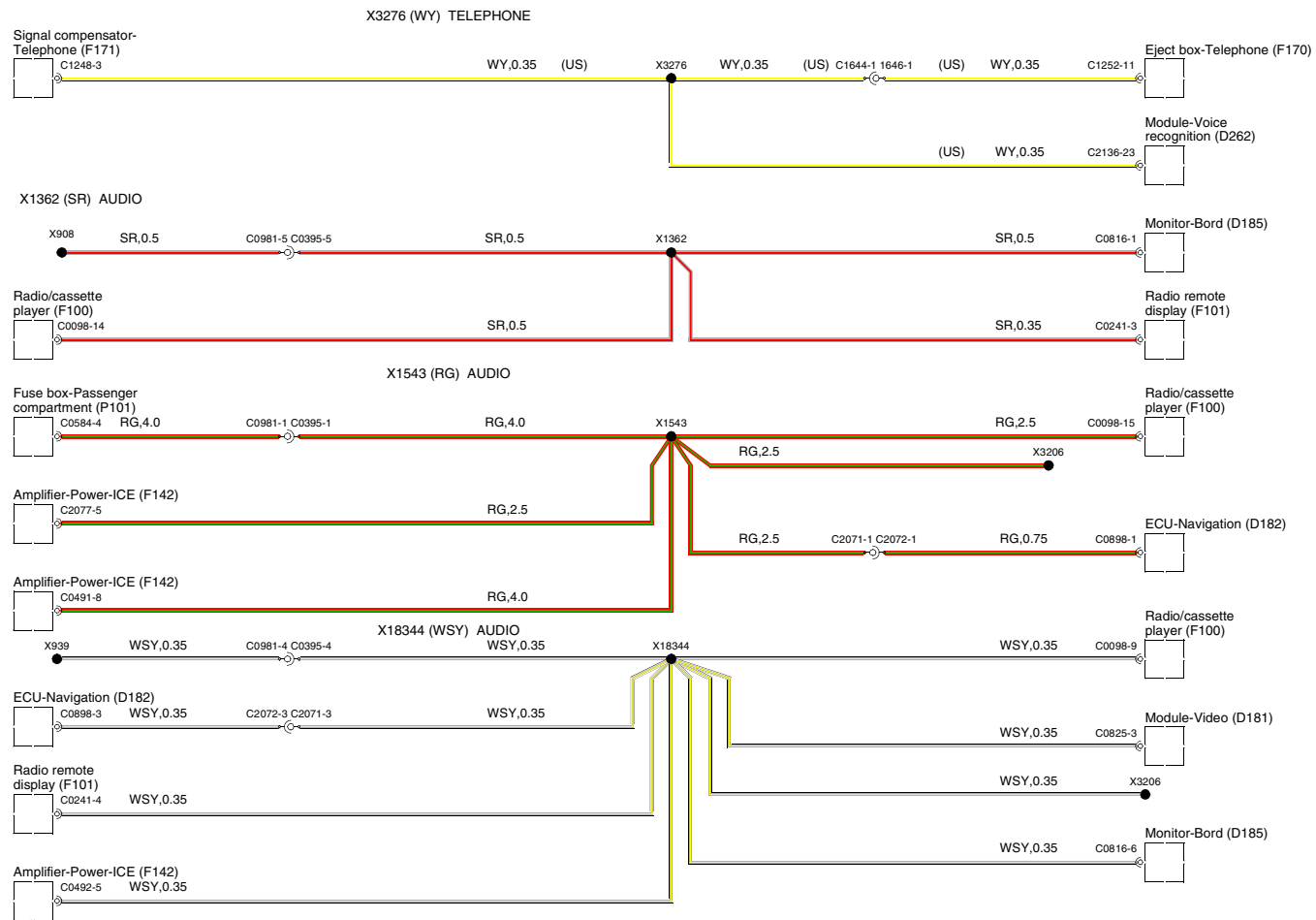


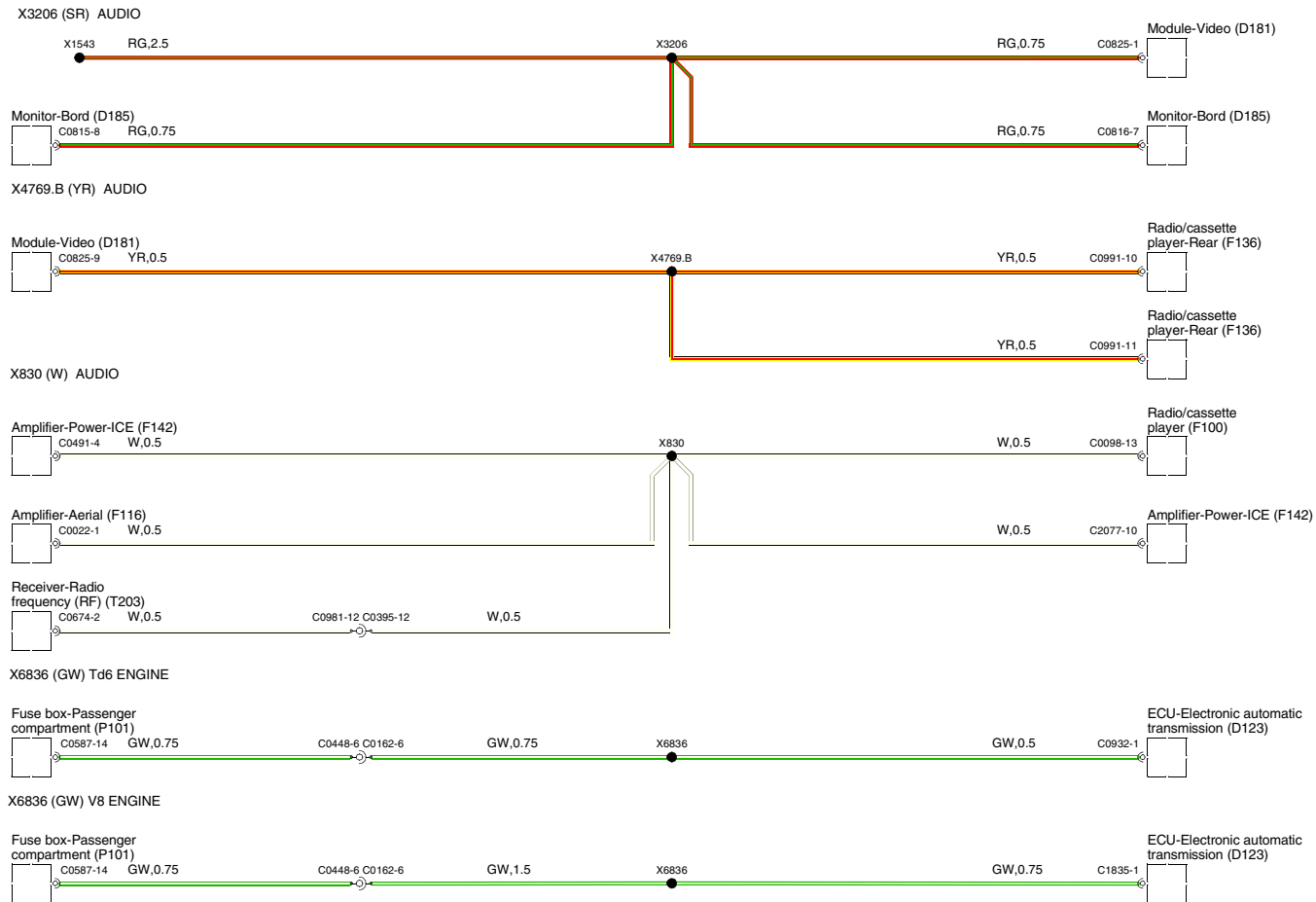
65 SPLICES AND CENTRE TAPS



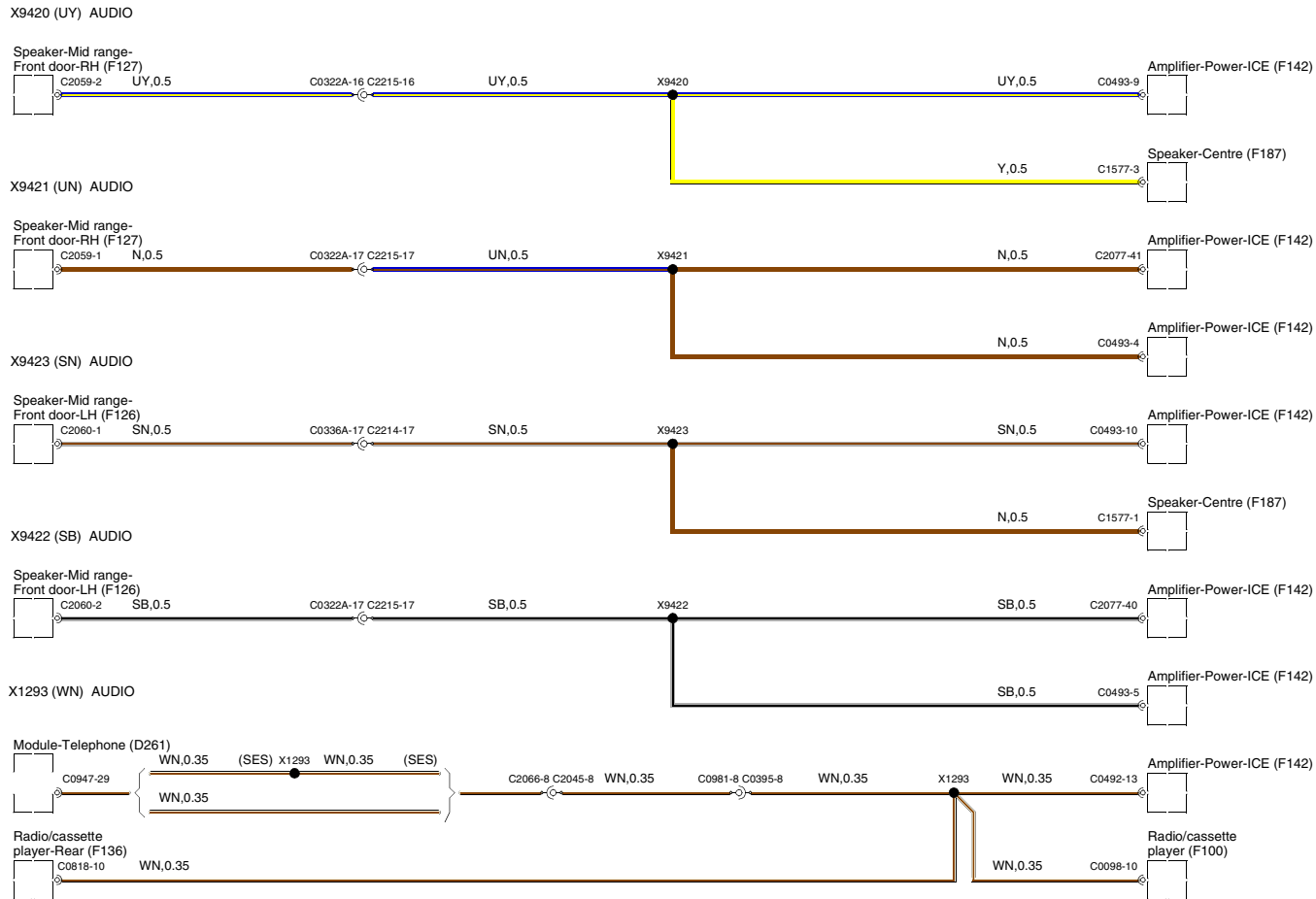


65 SPLICES AND CENTRE TAPS



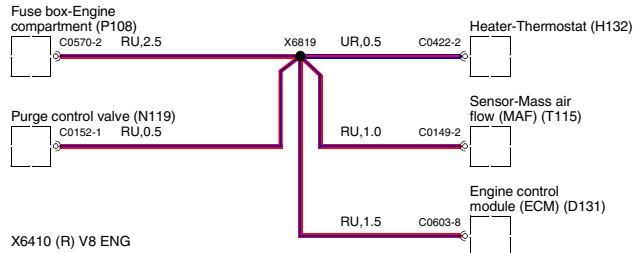


65 SPLICES AND CENTRE TAPS



65 SPLICES AND CENTRE TAPS

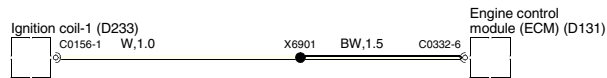
X6819 (RU) V8 ENG



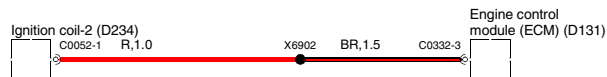
X6410 (R) V8 ENG



X6901 (W/BW) V8 ENG



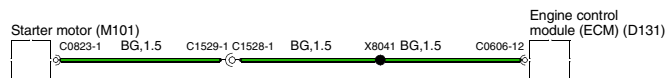
X6902 (R/BR) V8 ENG



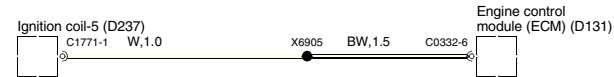
X6903 (Y/BY) V8 ENG



X8041 (BG) V8 ENG



X6905 (W/BW) V8 ENG



X6906 (R/BR) V8 ENG



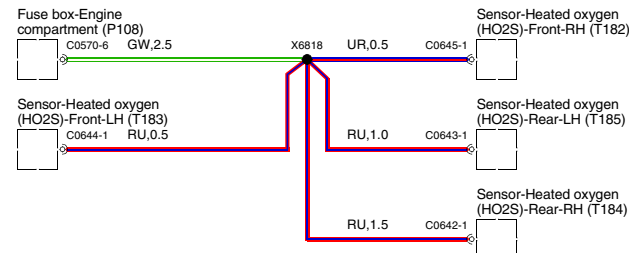
X6907 (Y/BY) V8 ENG



X6908 (U/BU) V8 ENG



X6818 (GW) V8 ENG

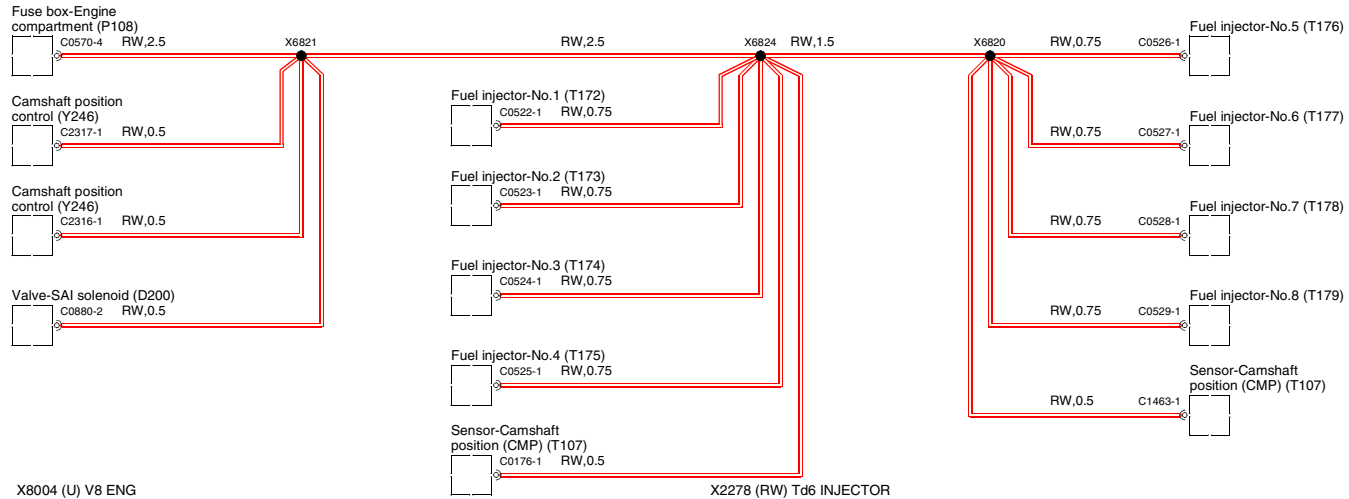


X6904 (U/BU) V8 ENG

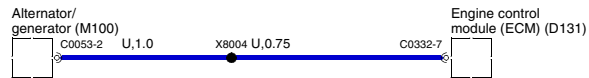


65 SPLICES AND CENTRE TAPS

X6821 (RW) V8 ENG X6824 (RW) V8 ENG X6820 (RW) V8 ENG



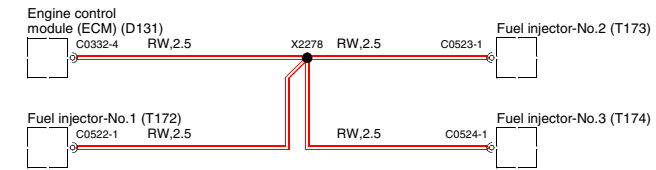
X8004 (U) V8 ENG



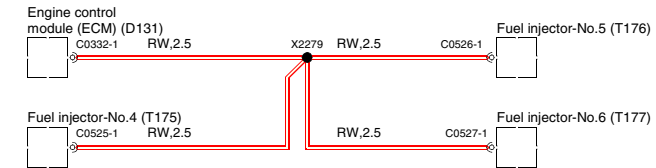
X6411 (R) Td6 ENG



X2278 (RW) Td6 INJECTOR

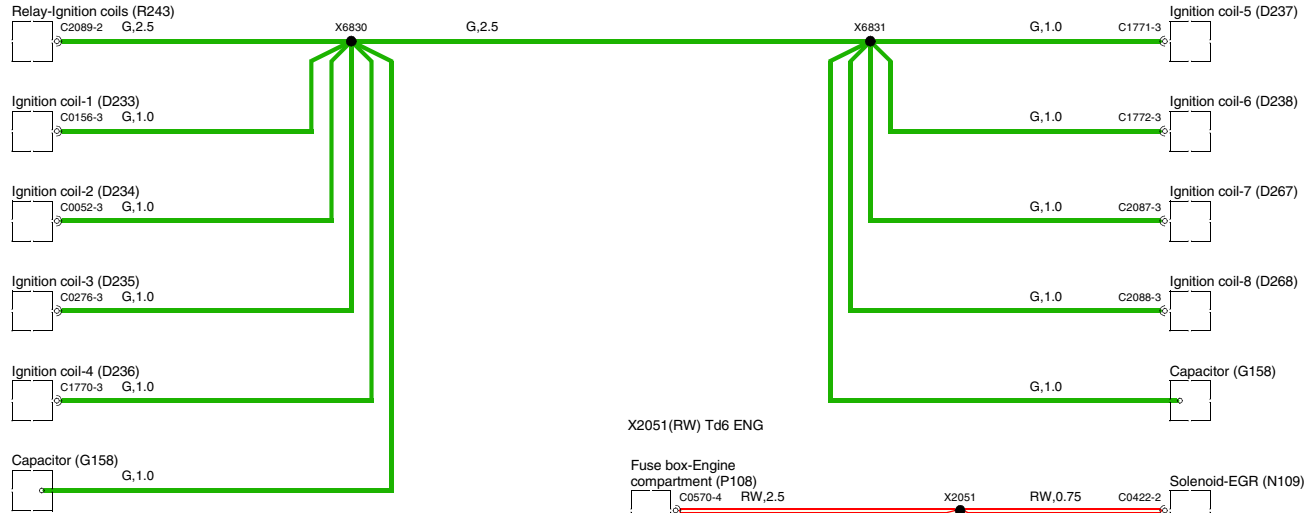


X2279 (RW) Td6 INJECTOR

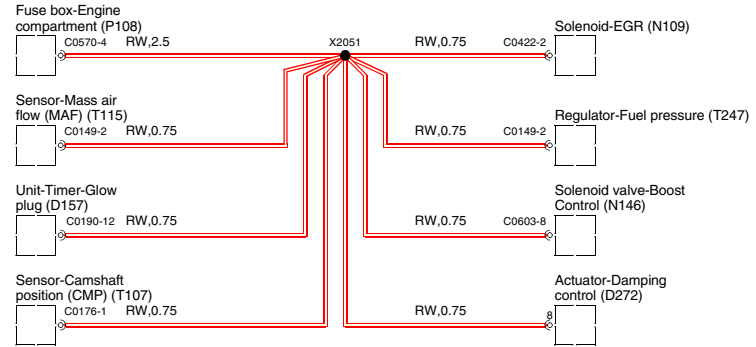


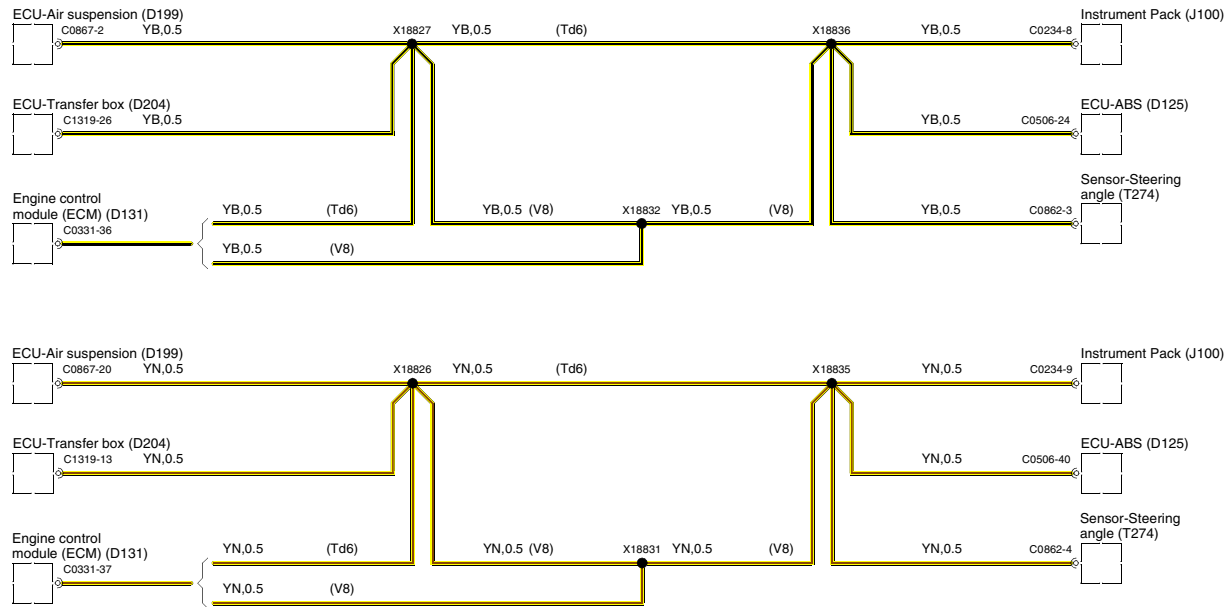
65 SPLICES AND CENTRE TAPS

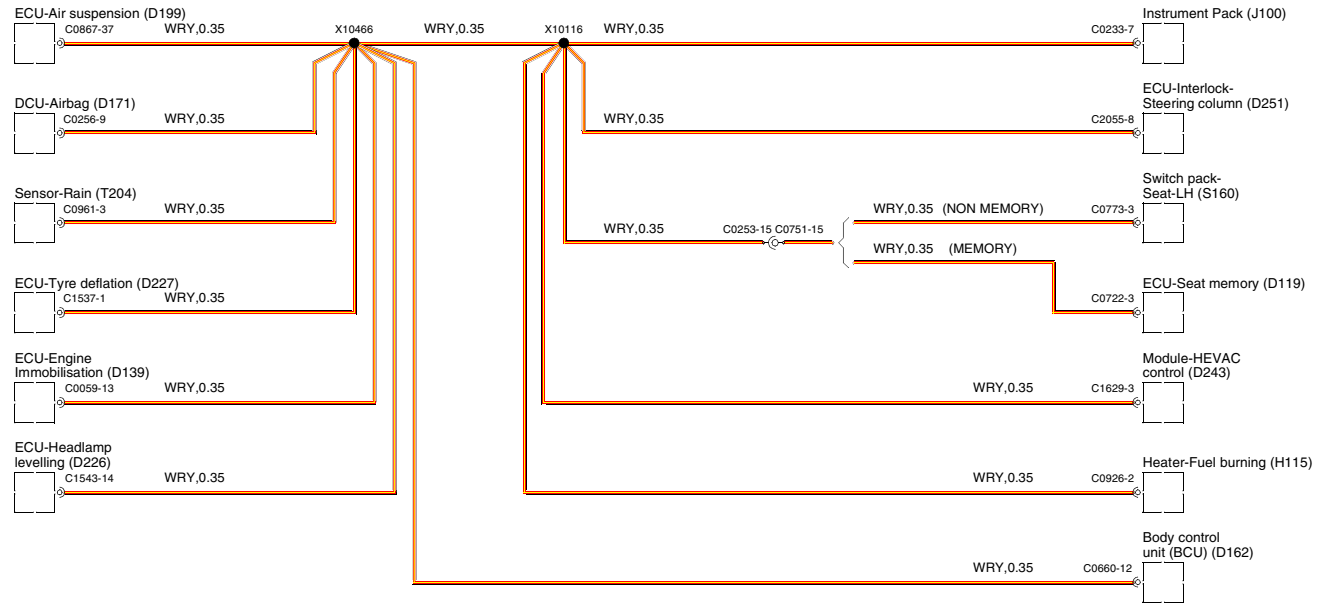
X6830 (G) V8 ENG X6831 (G) V8 ENG

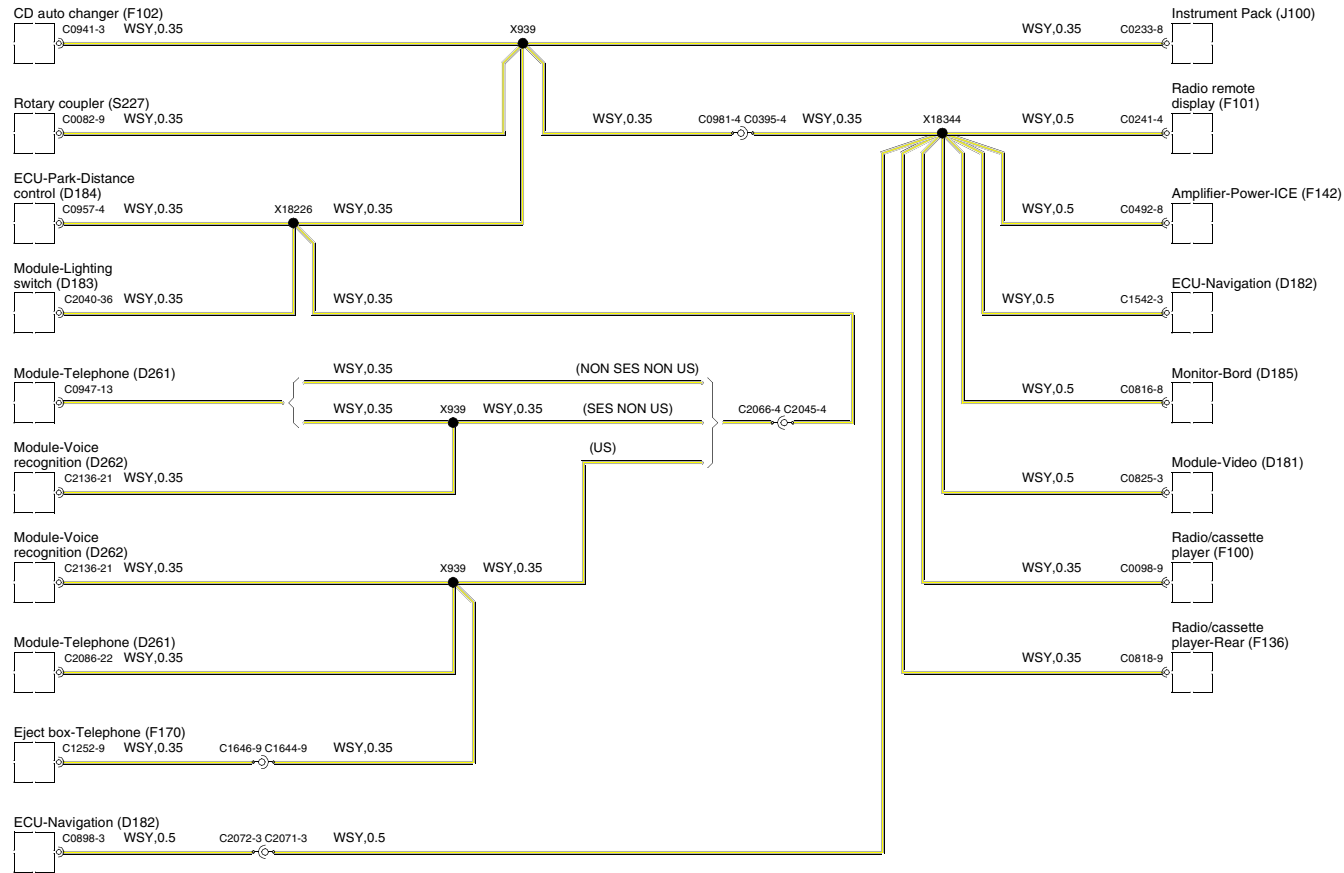


X2051 (RW) Td6 ENG

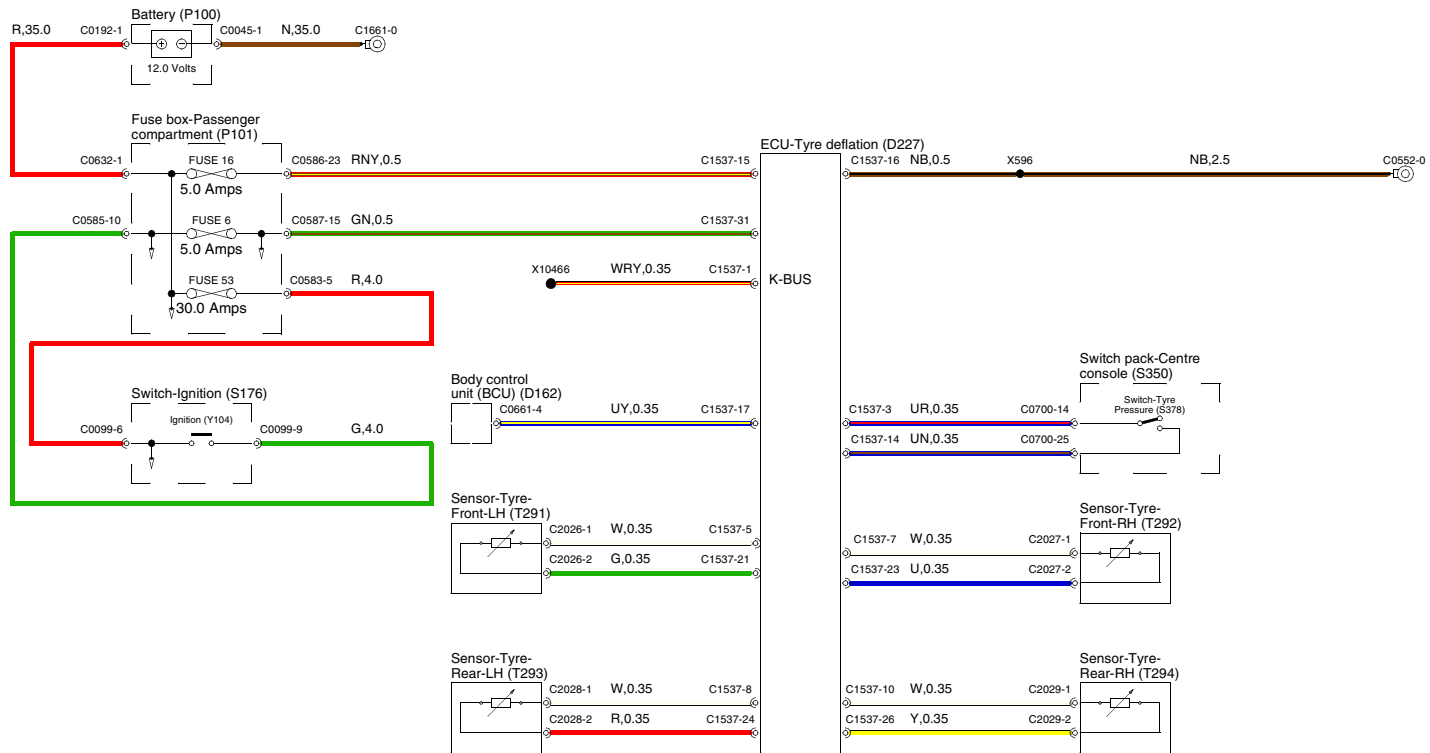




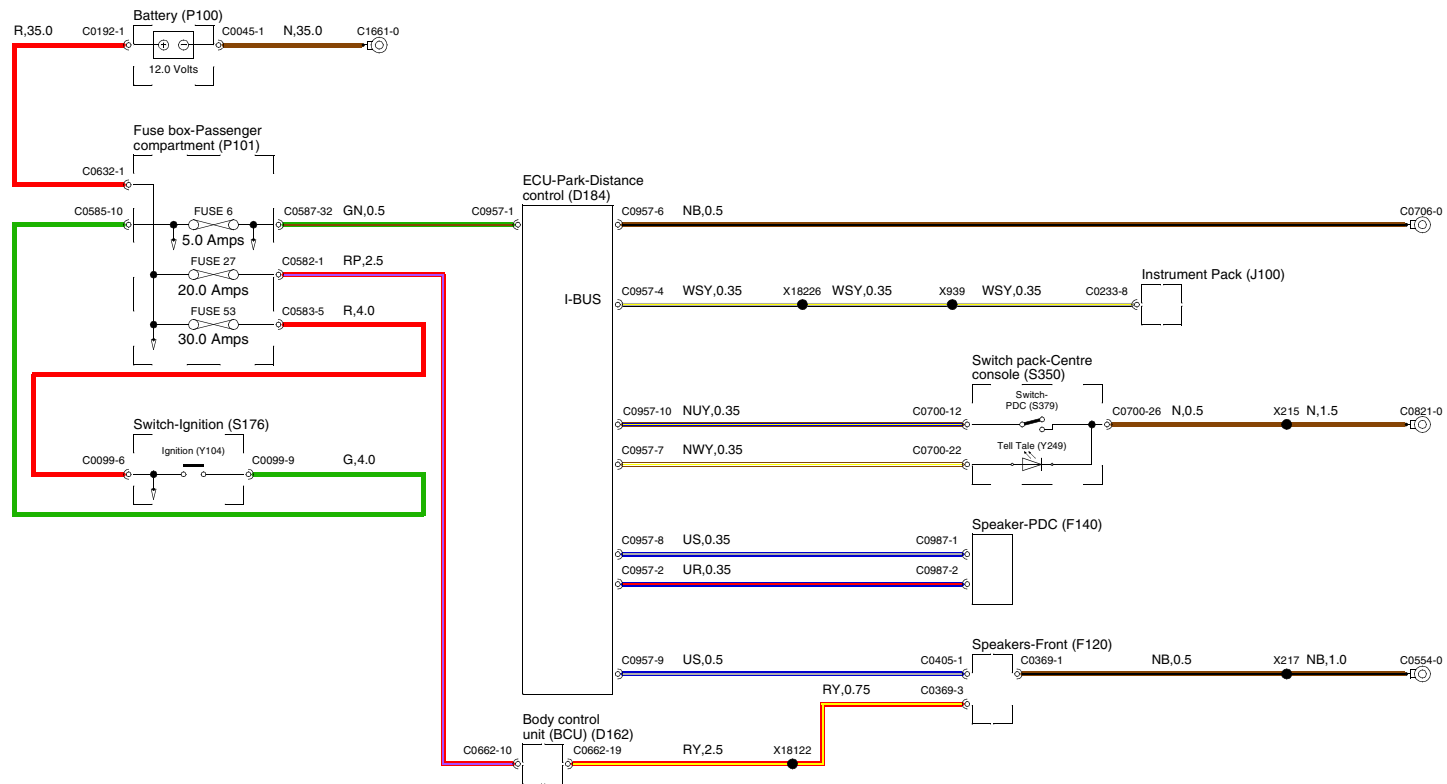




73 TYRE PRESSURE MONITORING



75 PARK DISTANCE CONTROL (PDC)



75 PARK DISTANCE CONTROL (PDC)

